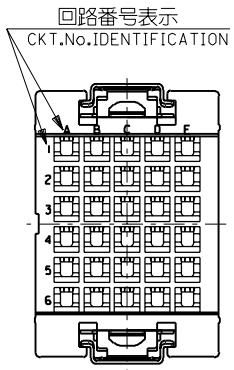
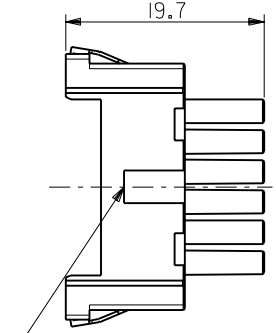


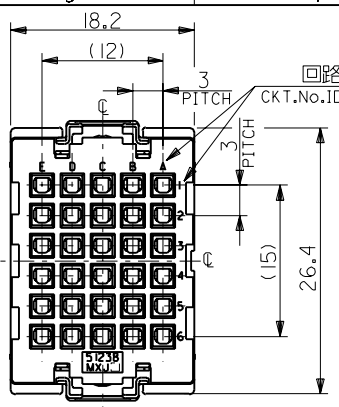
DWG. NO. SD-51238-009



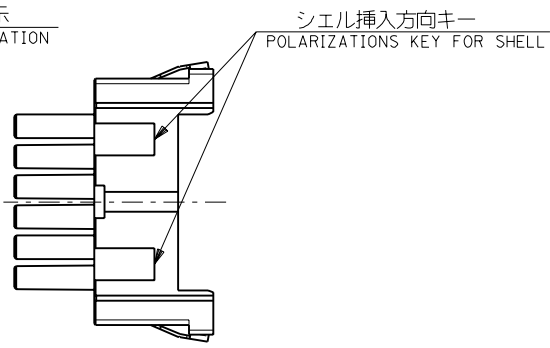
電線挿入側
WIRE SIDE



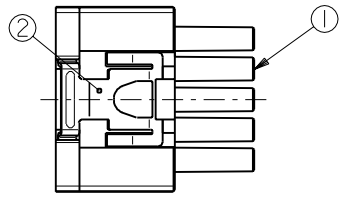
シェル挿入方向キー
POLARIZATIONS KEY FOR SHELL



嵌合側
MATING SIDE



シェル挿入方向キー
POLARIZATIONS KEY FOR SHELL



注記
NOTES

- 材質
MATERIAL
①ハウジング：ガラス入りPBT樹脂
HOUSING : PBT G.F.
UL94V-0 色：黒
UL94V-0 COLOR : BLACK
②スプリング：ステンレス鋼 t0.3
SPRING : STAINLESS STEEL t0.3
- 適用端子：56120-8*90, 56121-8*90
APPLICABLE CRIMP PIN : 56120-8*90, 56121-8*90
- 適用リセプタクル シェル：56377-30**
APPLICABLE RECEPTACLE SHELL : 56377-30**
- 嵌合相手：51234-300*
MEET WITH : 51234-300*

<誤嵌合防止キー（極性）タイプ> <POLARITY KEY TYPE>

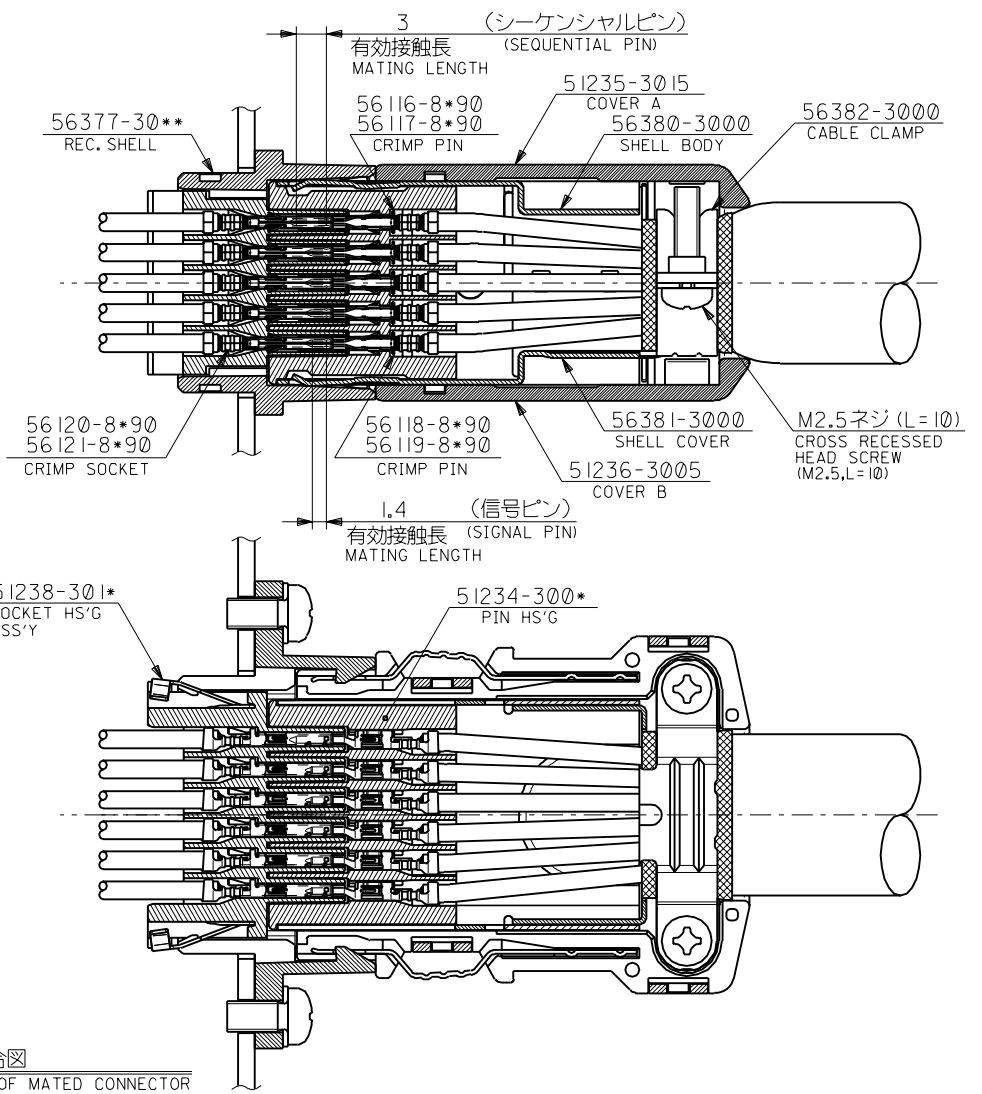
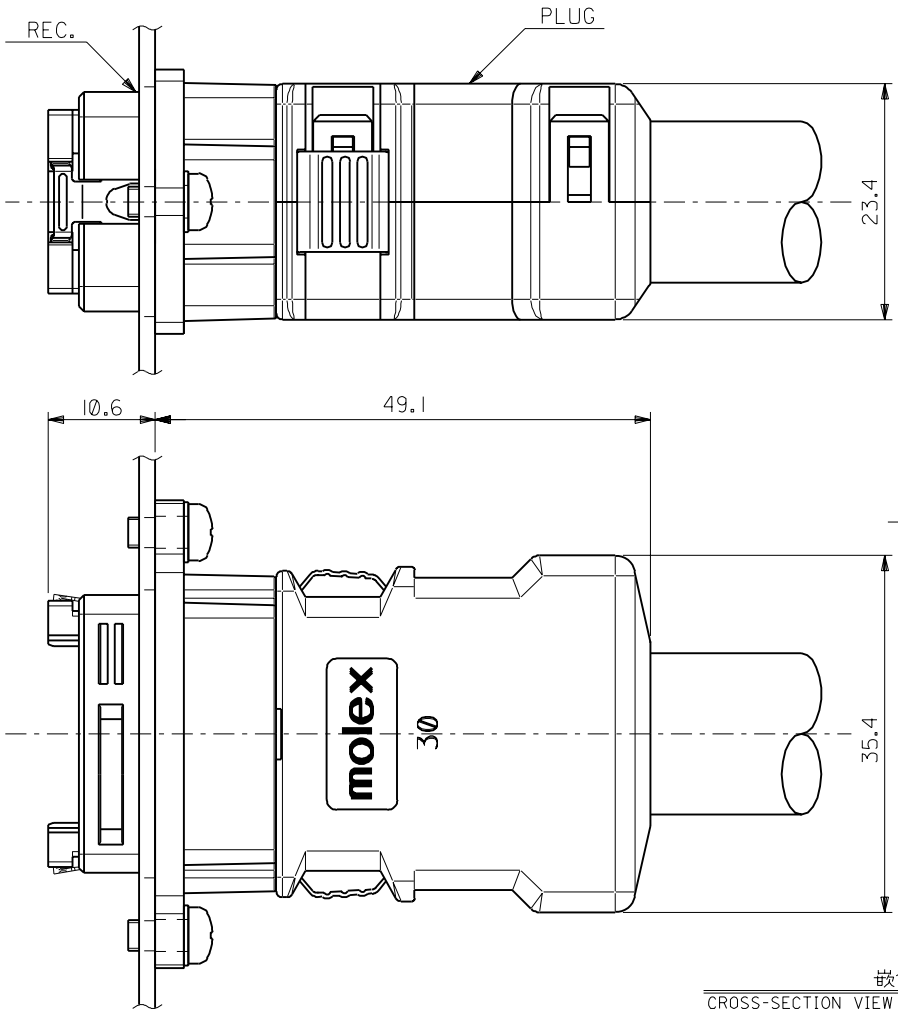
51238-3011	51238-3012	51238-3013	51238-3014	51238-3015
STANDARD TYPE	A TYPE	B TYPE	C TYPE	D TYPE

B-3	D	51238-3015	51238-***1*	30
D-4	C	51238-3014		
C-4	B	51238-3013		
C-3	A	51238-3012		
—	STANDARD	51238-3011		
POLARITY POSITION (CIRCUIT No.)	POLARITY TYPE	MATERIAL No.	MODEL No.	CIRCUIT

DO NOT SCALE DRAWING

EC NO. DRAWN: CHK: APPR:	EC NO. DRAWN: CHK: APPR:	EC NO. DRAWN: CHK: APPR:	REVISED 01/10/04 EC NO. J2002-0786 DRAWN: S.AKIYAMA CHK: J.MIYAZAWA APPR: Y.O.ITO	RELEASED 01/02/16 EC NO. JD2001-1040 DRAWN: S.AKIYAMA CHK: J.MIYAZAWA APPR: H.IKESUGI	MATERIAL 材料 注記参照 SEE NOTES	GENERAL TOLERANCES: (UNLESS SPECIFIED) 一般公差	SCALE 2-1	DESIGN UNITS mm INCH	THIRD ANGLE PROJECTION	DIMENSIONS: mm INCH	SHT	REV
			A	0	FINISH 仕上げ	10 UNDER 未満 ±0.2	30 UNDER 未満 ±0.25	30 OVER 以上 ±0.3	ANGLE 角度 ±3°	TITLE: COMPACT ROBOT CONN. (CRC) REC. SOCKET HS'G ASS'Y		
					WIRE RANGE 適用線径範囲					MATERIAL NO. SEE CHART	DRAWING NO. SD-51238-009	SHEET NO. 1 OF 4
					INS. RANGE 被覆外径					THIS DRAWING CONTAINS INFORMATION THAT IS PROPRIETARY TO MOLEX INCORPORATED AND SHOULD NOT BE USED WITHOUT WRITTEN PERMISSION.		SIZE B

DWG. NO.
SD-51238-009



嵌合図
CROSS-SECTION VIEW OF MATED CONNECTOR

DO NOT SCALE DRAWING

EC NO. DRAWN: CHK'g APPR:	EC NO. DRAWN: CHK'g APPR:	EC NO. DRAWN: CHK'g APPR:	REVISED 01/10/04	MATERIAL 材料	GENERAL TOLERANCES: (UNLESS SPECIFIED) 一般公差	SCALE 2-1	DESIGN UNITS mm □ mm □ INCH	THIRD ANGLE PROJECTION	DIMENSIONS: mm □ mm □ INCH □ mm ONLY	SHT REVISE ON CAD ONLY	REV
			EC NO. J2002-0786 DRAWN: S. AKIYAMA CHK'g: J. MIYAZAWA APPR: YO. ITO								
A	Ø	Ø	RELEASED 01/02/16	FINISH 仕上げ	10 OVER 以上	30 UNDER 未満	±0.25	CHECKED BY & DATE <i>J. Miyazawa</i> / 2/06	MATERIAL NO. SEE CHART	DRAWING NO. SD-51238-009	SHEET NO. 2 OF 4
			EC NO. JD2001-1040 DRAWN: S. AKIYAMA CHK'g: J. MIYAZAWA APPR: H. IKESUGI								
REV	INS. RANGE 被覆外径	—	—	WIRE RANGE 適用線径範囲	—	ANGLE 角度	±3°	CAD FILE NAME 51238009.S01	MATERIAL NO. SEE CHART	DRAWING NO. SD-51238-009	SHEET NO. 2 OF 4

THIS DRAWING CONTAINS INFORMATION THAT IS PROPRIETARY TO MOLEX INCORPORATED AND SHOULD NOT BE USED WITHOUT WRITTEN PERMISSION.

51238009.S02

DWG. NO.
SD-51238-009

F

D

V

C

B

DO NOT SCALE DRAWING

8 7 6 5 4 3 2 1

F

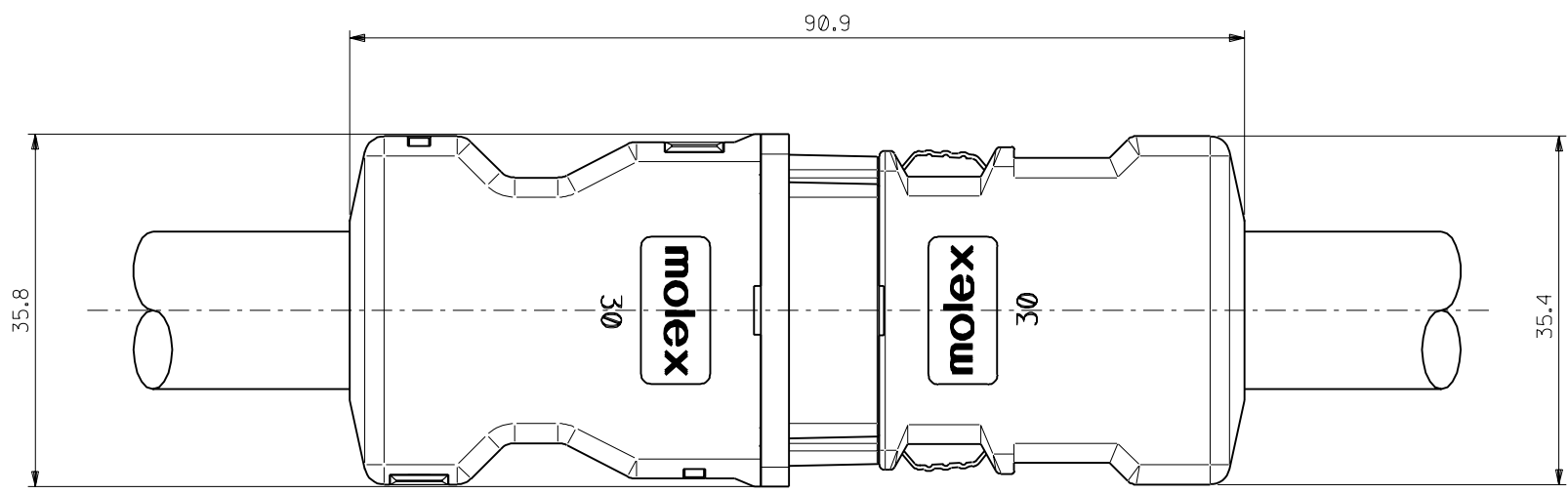
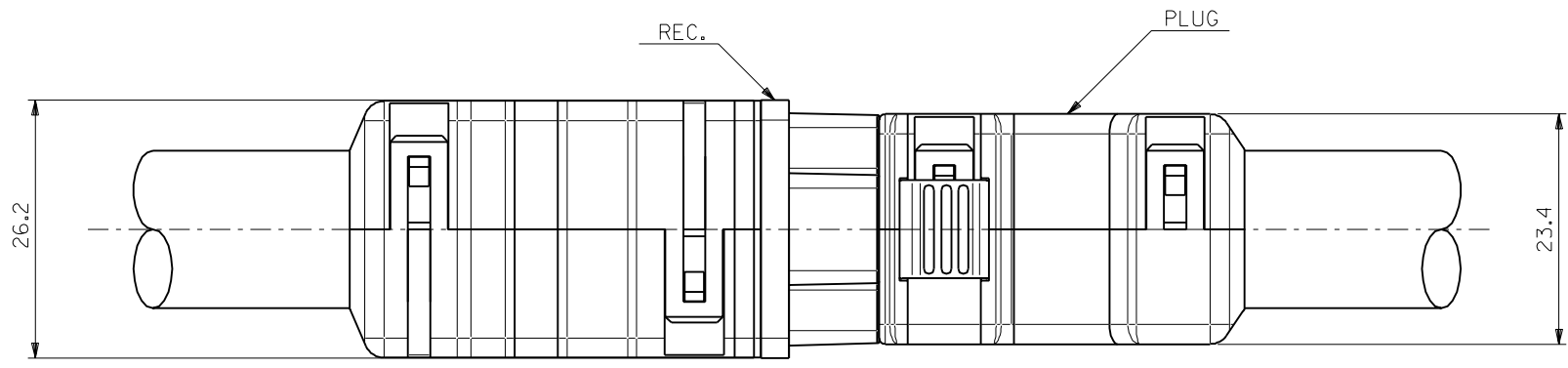
E

D

C

B

A



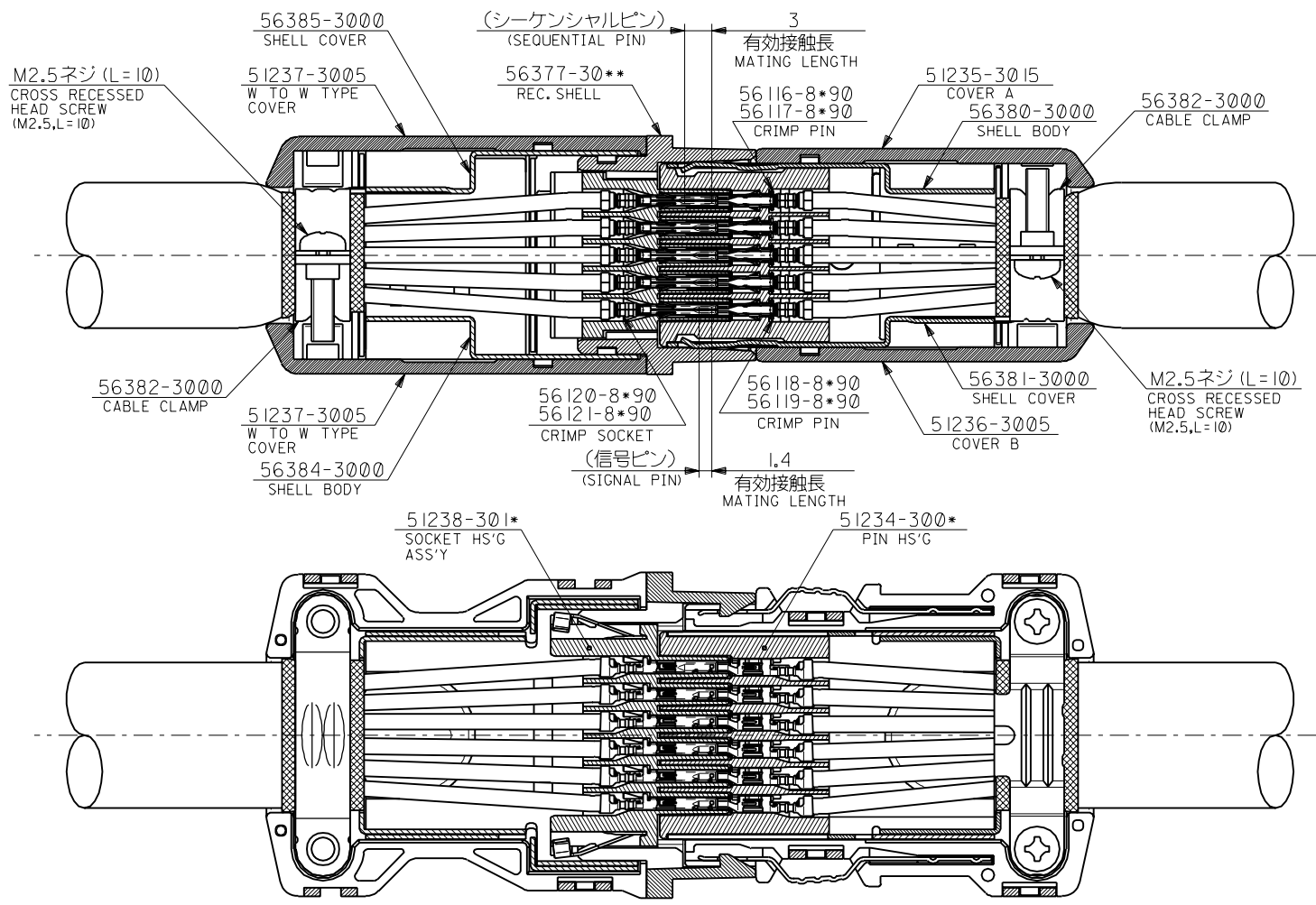
嵌合図 (中継タイプ)
CROSS-SECTION VIEW OF MATED CONNECTOR
(WIRE TO WIRE TYPE)

EC NO. DRWN: CHK: APPR:	EC NO. DRWN: CHK: APPR:	EC NO. DRWN: CHK: APPR:	REVISED 01/10/04	MATERIAL 材料	GENERAL TOLERANCES: (UNLESS SPECIFIED) 一般公差	SCALE	DESIGN UNITS	THIRD ANGLE PROJECTION	DIMENSIONS:		SHT	REV
			EC NO. J2002-0786			注記参照 SEE NOTES	2-1		mm □ INCH	mm □ INCH	mm ONLY	REVISIONS
A	S. AKIYAMA J. MIYAZAWA YO. ITO	S. AKIYAMA J. MIYAZAWA H. IKESUGI	RELEASED 01/02/16	FINISH 仕上げ	10 UNDER	±0.2	DRAWN BY & DATE S. Akiyama 01/01/25	TITLE:	COMPACT ROBOT CONN. (CRC) REC. SOCKET HS'G ASS'Y			
			EC NO. JD2001-1040		—	10 OVER 30 UNDER						
0	S. AKIYAMA J. MIYAZAWA H. IKESUGI	S. AKIYAMA J. MIYAZAWA H. IKESUGI	EC NO. J2002-0786	WIRE RANGE 適用電線範囲	30 OVER	±0.3	APPROVED BY & DATE S. Akiyama	MATERIAL NO.	DRAWING NO.	SHEET NO.	SIZE	B
			EC NO. J2001-1040		—	ANGLE 角度	±3°					
			INS. RANGE 被覆外径	—	THIS DRAWING CONTAINS INFORMATION THAT IS PROPRIETARY TO MOLEX INCORPORATED AND SHOULD NOT BE USED WITHOUT WRITTEN PERMISSION.			MOLEX INCORPORATED		EN-02J(097) MXJ-54		

8 7 6 5 4 3 2 1

51238009.S03

DWG. NO. SD-51238-009



嵌合図 (中継タイプ)
CROSS-SECTION VIEW OF MATED CONNECTOR
(WIRE TO WIRE TYPE)

DO NOT SCALE DRAWING

EC NO. DRAWN: CHK'G: APPR.:	EC NO. DRAWN: CHK'G: APPR.:	EC NO. DRAWN: CHK'G: APPR.:	REVISED 01/10/04	MATERIAL 材料	GENERAL TOLERANCES: (UNLESS SPECIFIED) 一般公差	SCALE	DESIGN UNITS	THIRD ANGLE PROJECTION	DIMENSIONS: <input type="checkbox"/> mm <input type="checkbox"/> INCH	SHT	REV
			EC NO. J2002-0786 DRAWN: S.AKIYAMA CHK'G: J.MIYAZAWA APPR: YO.IITO			10 UNDER 未満	2-1				
A	0	0	RELEASED 01/02/16	FINISH 仕上げ	注記参照 SEE NOTES	10 OVER 以上	30 UNDER 未満	TITLE:	COMPACT ROBOT CONN. (CRC) REC. SOCKET HS'G ASS'Y	MATERIAL NO.	DRAWING NO.
			EC NO. JD2001-1040 DRAWN: S.AKIYAMA CHK'G: J.MIYAZAWA APPR: H.IKESUGI			30 OVER 以上	ANGLE 角度				
				WIRE RANGE 適用電線範囲							
				INS. RANGE 被覆外径							
MATERIAL NO. SEE CHART									SHEET NO. 4 OF 4		SIZE B
CAD FILE NAME 51238009.S04									THIS DRAWING CONTAINS INFORMATION THAT IS PROPRIETARY TO MOLEX INCORPORATED AND SHOULD NOT BE USED WITHOUT WRITTEN PERMISSION.		