

MODEL 509-0015

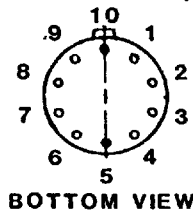
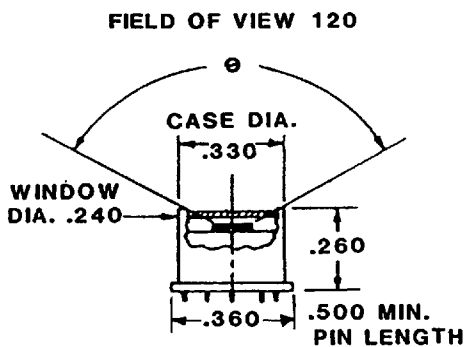
T-41-67

HIGH SPEED SILICON PHOTO DIODE OPTICAL DETECTOR

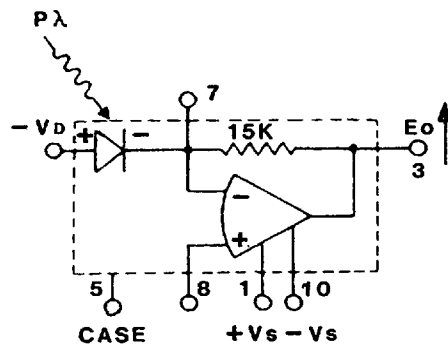
T = 25 DEGREES C

V_S = ±6 V

PARAMETERS	CONDITIONS	VALUES (TYPICAL)	UNITS
Responsivity R	$\lambda = 900\text{nm}$ $V_D = -15\text{V}$	7×10^3	Volts/Watt
Bandwidth, 3db BW	$V_D = -45\text{V}$	25×10^6	Hertz
Risetime, 10-90% T _R	$V_D = -45\text{V}$	14×10^{-9}	Seconds
NEP	$\lambda = 900\text{nm}$ $V_D = -45\text{V}$	4×10^{-12}	Watts/ $\sqrt{\text{Hertz}}$
Output Noise Voltage	$V_D = -45\text{V}$	30×10^{-9}	Volts/ $\sqrt{\text{Hertz}}$
Bias Voltage V _D		-15 to -50V max.	
Diode Active Area (2.5mm diameter)		5	mm ²
Supply Voltage V _S		±7	Volts max.
Supply Current I _S	V _S = ±6V	11	mA
Temperature T _A		0 to 70° operating -25 to 125° storage	°C
Maximum Ratings	Incident flux 300mw/cm ² continuous		
Package	T0-5		



TO-5 CASE
ALL DIMENSIONS ARE IN INCHES



DEVAR Inc.
706 Bostwick Ave.
Bridgeport, CT 06605
TEL: (203) 368-6751 FAX: (203) 368-3747