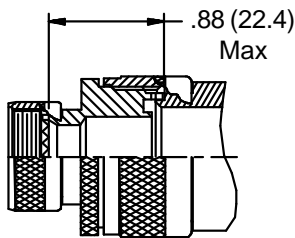
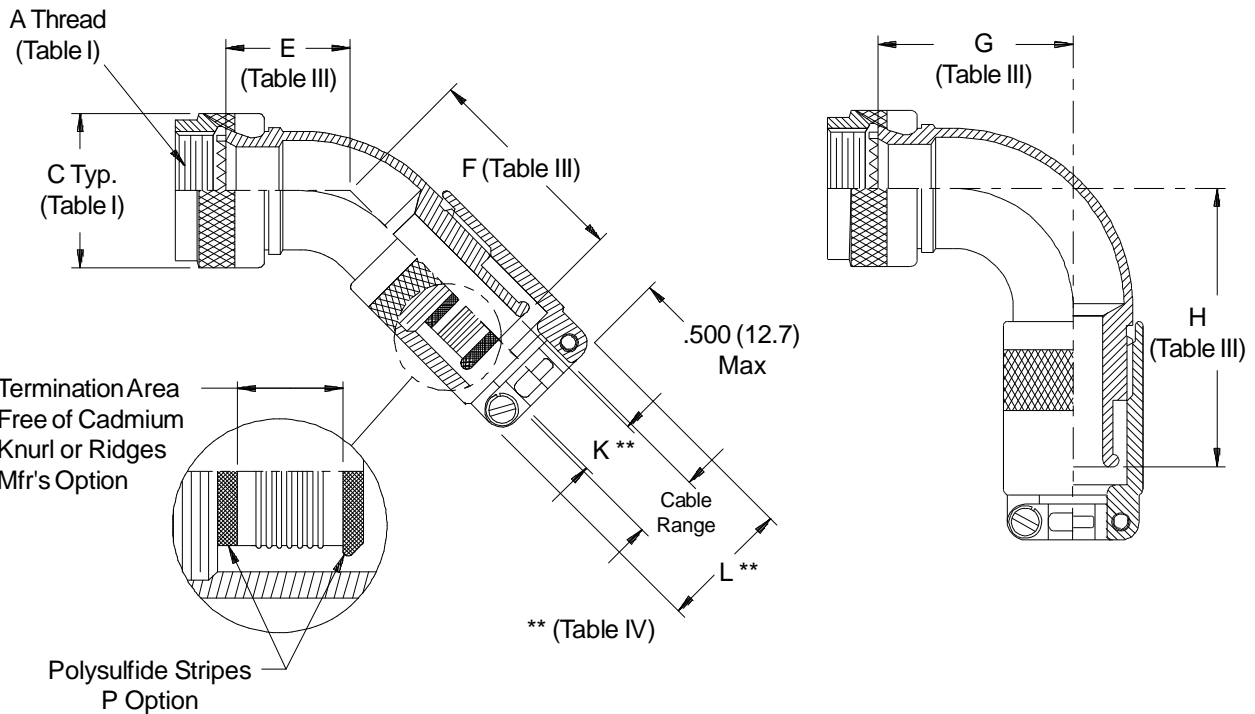
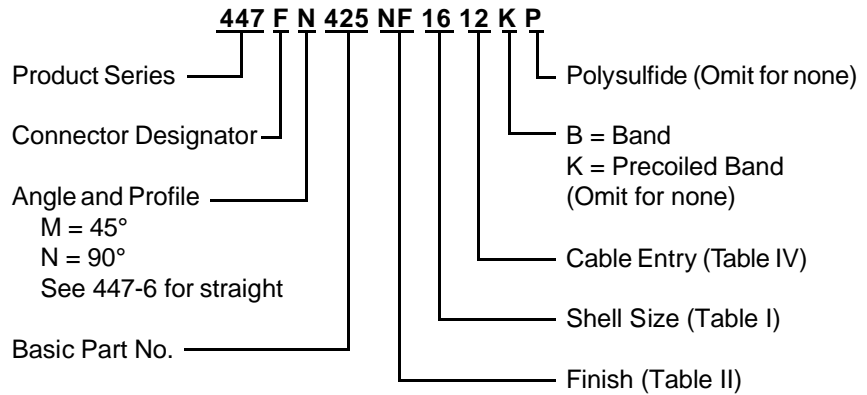
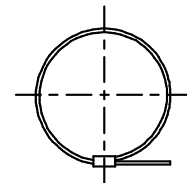


**CONNECTOR
DESIGNATORS
A-F-H-L-S**
**ROTATABLE
COUPLING**



STYLE 2
(See Note 1)



Band Option
(K Option Shown - See Note 3)



See inside back cover fold-out or pages 13 and 14 for Tables I and II.

| TABLE III: ELBOW DIMENSIONS | | | | | | | | | |
|------------------------------------|----------------|----------|------------|------------|------------|------------|------------|------------|------------|
| Shell Size | | E | | F | | G | | H | |
| Conn. Desig. | A-F-L-S | H | Max | Max | Max | Max | Max | Max | Max |
| 08 | 09 | .817 | (20.8) | 1.057 | (26.8) | 1.125 | (28.6) | 1.375 | (34.9) |
| 10 | 11 | .861 | (21.9) | 1.111 | (28.2) | 1.250 | (31.8) | 1.500 | (38.1) |
| 12 | 13 | .911 | (23.1) | 1.161 | (29.5) | 1.375 | (34.9) | 1.625 | (41.3) |
| 14 | 15 | .965 | (24.5) | 1.215 | (30.9) | 1.500 | (38.1) | 1.750 | (44.5) |
| 16 | 17 | 1.014 | (25.8) | 1.264 | (32.1) | 1.625 | (41.3) | 1.875 | (47.6) |
| 18 | 19 | 1.064 | (27.0) | 1.314 | (33.4) | 1.750 | (44.5) | 2.000 | (50.8) |
| 20 | 21 | 1.118 | (28.4) | 1.368 | (34.7) | 1.875 | (47.6) | 2.125 | (54.0) |
| 22 | 23 | 1.172 | (29.8) | 1.422 | (36.1) | 2.000 | (50.8) | 2.250 | (57.2) |
| 24 | 25 | 1.221 | (31.0) | 1.471 | (37.4) | 2.125 | (54.0) | 2.375 | (60.3) |

| TABLE IV: CABLE RANGE | | | | | | | | |
|------------------------------|--------------|--------------|------------|------------|--------------------|------------|------------|--------|
| Dash No. | K | | L | | Cable Range | | | |
| | ±.030 | ±(.8) | Max | Max | Min | Max | Max | |
| 10 | .220 | (5.6) | 1.000 | (25.4) | .130 | (3.3) | .250 | (6.4) |
| 12 | .310 | (7.9) | 1.250 | (31.8) | .250 | (6.4) | .380 | (9.7) |
| 14 | .440 | (11.2) | 1.340 | (34.0) | .310 | (7.9) | .440 | (11.2) |
| 16 | .560 | (14.2) | 1.470 | (37.3) | .375 | (9.5) | .630 | (16.0) |
| 18 | .630 | (16.0) | 1.560 | (39.6) | .560 | (14.2) | .690 | (17.5) |
| 20 | .750 | (19.1) | 1.620 | (41.1) | .630 | (16.0) | .750 | (19.1) |
| 22 | .880 | (22.4) | 1.750 | (44.5) | .750 | (19.1) | .880 | (22.4) |
| 24 | 1.000 | (25.4) | 1.870 | (47.5) | .880 | (22.4) | 1.000 | (25.4) |
| 28 | 1.060 | (26.9) | 1.970 | (50.0) | 1.000 | (25.4) | 1.130 | (28.7) |
| 32 | 1.190 | (30.2) | 2.090 | (53.1) | 1.130 | (28.7) | 1.250 | (31.8) |

1. When maximum cable entry (page 21) is exceeded, Style 2 will be supplied. Dimensions E, F, G, and H will not apply. Please consult factory.
2. Metric dimensions (mm) are indicated in parentheses.
3. Backshells supplied with 600-052-* band, see Glenair Series 600 Tool Catalog for installation.