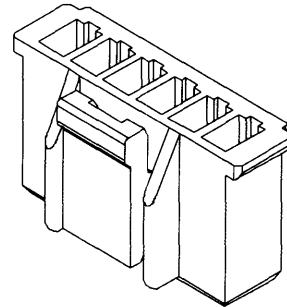


**molex® 2.50mm (.098") Pitch  
Wire-to-Wire and  
Wire-to-Board  
Housing**

**35572  
Positive Lock**



**FEATURES AND SPECIFICATIONS**

**Features and Benefits**

- Sizes 3 to 15 circuits
- Locking windows secure terminal to housing
- Protective ribs on each side of latch

**Reference Information**

Product Specification: PS-35572-001

Packaging: Bag

Mates With: 35312 header and 35184 plug

Use With: 57915

Designed In: Millimeters

**Electrical**

Voltage: 250V

Current: 3.0A

Contact Resistance: 20mΩ max.

Dielectric Withstanding Voltage: 1000V

Insulation Resistance: 500 MΩ min.

**Mechanical**

Contact Insertion Force: 9.8N (2.2 lb) max.

Contact Retention to Housing: 14.7N (3.3 lb) min.

Mating Force: 81.4N (18.3 lb) max.

Unmating Force: 16.2N (3.6 lb) min.

Durability: 30 cycles

**Physical**

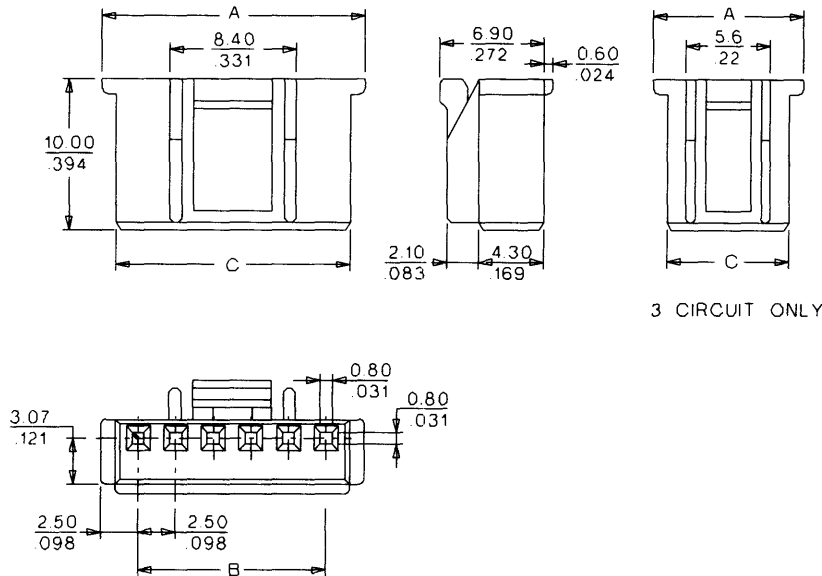
Housing: Natural PA 66, UL 94V-0

Operating Temperature: -40 to +105°C

2.00 to 2.50mm (.079 to .098") Pitch

**B**

**CATALOG DRAWING (FOR REFERENCE ONLY)**



**ORDERING INFORMATION AND DIMENSIONS**

Circuits	Order No.	Dimension		
		A	B	C
3	35572-0300	10.00 (.394)	5.00 (.295)	8.10 (.319)
4	35572-0400	12.50 (.492)	7.50 (.295)	10.60 (.417)
5	35572-0500	15.00 (.591)	10.00 (.394)	13.10 (.516)
6	35572-0600	17.50 (.689)	12.50 (.492)	15.60 (.614)
7	35572-0700	20.00 (.787)	15.00 (.591)	18.10 (.713)
8	35572-0800	22.50 (.886)	17.50 (.689)	20.60 (.811)
9	35572-0900	25.00 (.984)	20.00 (.787)	23.10 (.909)
10	35572-1000	27.50 (1.083)	22.50 (.886)	25.60 (1.008)
11	35572-1100	30.00 (1.181)	25.00 (.984)	28.10 (1.106)
12	35572-1200	32.50 (1.280)	27.50 (1.083)	30.60 (1.205)
13	35572-1300	35.00 (1.378)	30.00 (1.181)	33.10 (1.303)
14	35572-1400	37.50 (1.476)	32.50 (1.280)	35.60 (1.402)
15	35572-1500	40.00 (1.575)	35.00 (1.378)	38.10 (1.500)