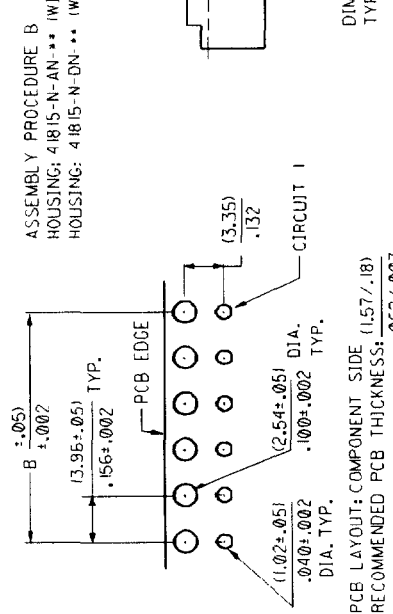
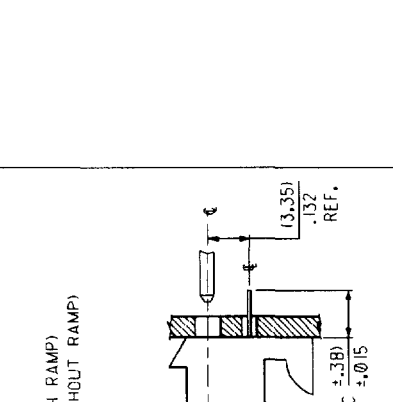
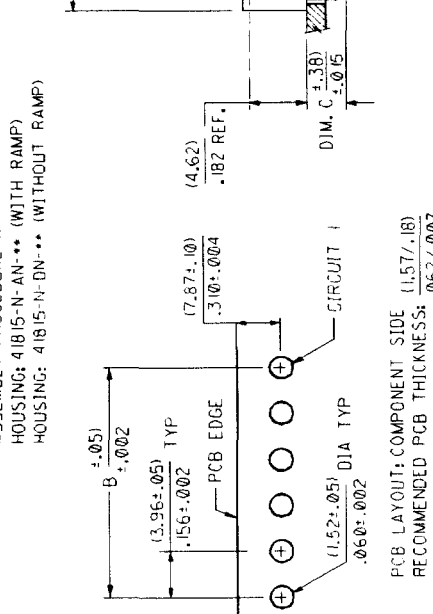
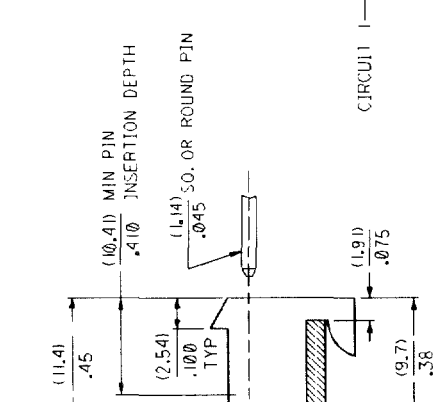
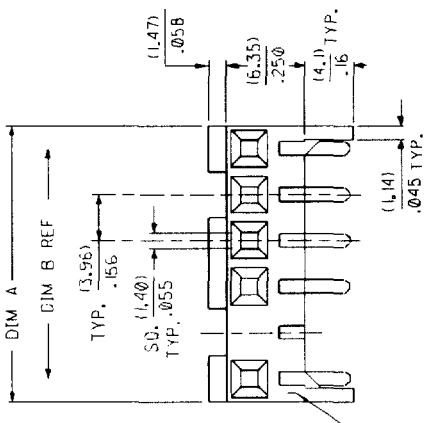


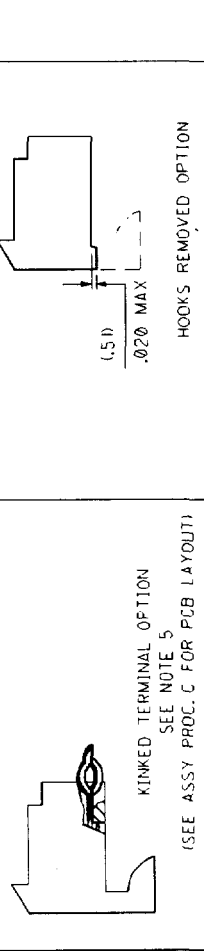
NO. OF CKTS	DIM. A	DIM. B
2	(7.82±.25)	(3.96)
3	(.508±.010)	.156
4	(11.79±.25)	(7.92)
5	(4.64±.010)	(3.12)
6	(15.75±.25)	(11.89)
7	(6.20±.010)	(4.68)
8	(19.71±.25)	(15.85)
9	(7.76±.010)	(6.24)
10	(23.61±.25)	(19.81)
11	(9.32±.010)	(7.80)
12	(27.64±.30)	(23.77)
13	(1.088±.012)	(.936)
14	(3.150±.25)	(27.74)
15	(1.244±.012)	(1.092)
	(35.56±.30)	(3.170)
	(4.48±.30)	(1.248)
	(1.712±.012)	(1.400±.012)
	(1.556±.012)	(35.56)
	(1.556±.012)	(1.404)
	(4.48±.30)	(39.52)
	(1.712±.012)	(1.560)
	(17.45±.30)	(43.59)
	(1.868±.012)	(1.716)
	(5.14±.30)	(47.55)
	(2.024±.012)	(1.872)
	(55.37±.36)	(51.51)
	(2.180±.014)	(2.028)
	(59.33±.36)	(55.47)
	(2.336±.014)	(2.184)



- NOTES:
- SOLDERABILITY: WHEN PARTS ARE SOLDERED AT A TEMPERATURE OF 230°C OR 446°F FOR 5 SECONDS EACH SOLDERED SURFACE SHALL BE A MINIMUM OF 95% COVERED WITH A SMOOTH CONTINUOUS ADHERENT COATING. FOR ADDITIONAL INFORMATION SEE ES-152.
 - MATERIAL: HOUSING: POLYESTER, 94V-0 COLOR NATURAL (WHITE)
 - SEE SMES-42329-*** FOR KINK PIN INFORMATION.
 - PRODUCT SPECIFICATION: PS-08-50
 - PARTS ARE STACKABLE END TO END ON (3.96)/.156
 - FOR TOP ENTRY AND RIGHT ANGLE ASSEMBLIES WITH LOWER INSERTION FORCE USE SINGLE BEAM CONTACT. (TERMINAL NO. 4244)

NO.	DATE	BY	APP.	REV.
7		AHI		1
6		AH		2
5		AH		3
4		AH		4
3		AH		5
2		AH		6
1		AHI		7

REVISIONS	
LTR.	DESCRIPTION
LTR.	REVISIONS
LTR.	REVISIONS
LTR.	REVISIONS



MOLES01833

REVISE ONLY ON CAD SYSTEM

(3.96) /.156 PC BOARD CONNECTOR ASSEMBLY
41815 SERIES DWG.
MOLEX INCORPORATED
PART NO. 41815
DATE 10/12/87

SEE CHARTS
SDA-41815

REL 055 UCR2000-02100
9-13-99 SAMIEC
RENO. FOR SAP UCR 999-0602
99-12-15 SAMIEC
REL - NC 102-0028
UCR 999-0003
98-3-24 SAMIEC

ENG. NO.	HOUSING NO.	HOUSING TYPE	TERMINAL NO.	TERMINAL MATERIAL	ASSEMBLY PROCEDURE	DIM. C	TERM VOID	PACKING	KINKED TERMINAL	HOOKS REMOVED
A-41815-0002/0015	41815-N-AN	WITH RAMP	2144-BA-41AA-102B	PHOS BRONZE	A: SIDE ENTRY	(3.681) / .105	NONE	BULK	NO	NO
A-41815-0016/0029	41815-N-AN	WITH RAMP	2144-BA-A1AA-587B	PHOS BRONZE	A: SIDE ENTRY	(3.681) / .105	NONE	BULK	NO	NO
A-41815-0030/0043	41815-N-AN	WITH RAMP	6298-111021	PHOS BRONZE	B: BOTTOM ENTRY	(3.18) / .125	NONE	BULK	NO	NO
A-41815-0044/0057	41815-N-AN	WITH RAMP	6298-115871	PHOS BRONZE	B: BOTTOM ENTRY	(3.18) / .125	NONE	BULK	NO	NO
A-41815-0058/0071	41815-N-AN	WITH RAMP	2144-BA-A1AA-102B	PHOS BRONZE	C: TOP ENTRY	(3.05) / .120	NONE	BULK	NO	NO
A-41815-0072/0085	41815-N-AN	WITH RAMP	2144-BA-A1AA-587B	PHOS BRONZE	C: TOP ENTRY	(3.05) / .120	NONE	BULK	NO	NO

A-41815-0002/0015			A-41815-0016/0029			A-41815-0030/0043			A-41815-0044/0057		
PART NO.	ENG. NO.	CKT	PART NO.	ENG. NO.	CKT	PART NO.	ENG. NO.	CKT	PART NO.	ENG. NO.	CKT
09-48-1024	A-41815-0002	2	09-48-5024	A-41815-0016	2	09-48-4029	A-41815-0030	2	09-48-5026	A-41815-0044	2
09-48-1034	A-41815-0003	3	09-48-5034	A-41815-0017	3	09-48-4039	A-41815-0031	3	09-48-5036	A-41815-0045	3
09-48-1044	A-41815-0004	4	09-48-5044	A-41815-0018	4	09-48-4049	A-41815-0032	4	09-48-5046	A-41815-0046	4
09-48-1054	A-41815-0005	5	09-48-5054	A-41815-0019	5	09-48-4059	A-41815-0033	5	09-48-5056	A-41815-0047	5
09-48-1064	A-41815-0006	6	09-48-5064	A-41815-0020	6	09-48-4069	A-41815-0034	6	09-48-5066	A-41815-0048	6
09-48-1074	A-41815-0007	7	09-48-5074	A-41815-0021	7	09-48-4079	A-41815-0035	7	09-48-5076	A-41815-0049	7
09-48-1084	A-41815-0008	8	09-48-5084	A-41815-0022	8	09-48-4089	A-41815-0036	8	09-48-5086	A-41815-0050	8
09-48-1094	A-41815-0009	9	09-48-5094	A-41815-0023	9	09-48-4099	A-41815-0037	9	09-48-5096	A-41815-0051	9
09-48-1104	A-41815-0010	10	09-48-5104	A-41815-0024	10	09-48-4109	A-41815-0038	10	09-48-5106	A-41815-0052	10
09-48-1114	A-41815-0011	11	09-48-5114	A-41815-0025	11	09-48-4119	A-41815-0039	11	09-48-5116	A-41815-0053	11
09-48-1124	A-41815-0012	12	09-48-5124	A-41815-0026	12	09-48-4129	A-41815-0040	12	09-48-5126	A-41815-0054	12
09-48-1134	A-41815-0013	13	09-48-5134	A-41815-0027	13	09-48-4139	A-41815-0041	13	09-48-5136	A-41815-0055	13
09-48-1144	A-41815-0014	14	09-48-5144	A-41815-0028	14	09-48-4149	A-41815-0042	14	09-48-5146	A-41815-0056	14
09-48-1154	A-41815-0015	15	09-48-5154	A-41815-0029	15	09-48-4159	A-41815-0043	15	09-48-5156	A-41815-0057	15
WAS: A-41815-NA102-0023			WAS: A-41815-NA587-0023			WAS: A-41815-NB102-0026			WAS: A-41815-NB587-0003		

A-41815-0058/0071			A-41815-0072/0085			A-41815-NC102-0007		
PART NO.	ENG. NO.	CKT	PART NO.	ENG. NO.	CKT	PART NO.	ENG. NO.	CKT
09-48-4028	A-41815-0058	2	09-48-5025	A-41815-0072	2			
09-48-4038	A-41815-0059	3	09-48-5035	A-41815-0073	3			
09-48-4048	A-41815-0060	4	09-48-5045	A-41815-0074	4			
09-48-4058	A-41815-0061	5	09-48-5055	A-41815-0075	5			
09-48-4068	A-41815-0062	6	09-48-5065	A-41815-0076	6			
09-48-4078	A-41815-0063	7	09-48-5075	A-41815-0077	7			
09-48-4088	A-41815-0064	8	09-48-5085	A-41815-0078	8			
09-48-4098	A-41815-0065	9	09-48-5095	A-41815-0079	9			
09-48-4108	A-41815-0066	10	09-48-5105	A-41815-0080	10			
09-48-4118	A-41815-0067	11	09-48-5115	A-41815-0081	11			
09-48-4128	A-41815-0068	12	09-48-5125	A-41815-0082	12			
09-48-4138	A-41815-0069	13	09-48-5135	A-41815-0083	13			
09-48-4148	A-41815-0070	14	09-48-5145	A-41815-0084	14			
09-48-4158	A-41815-0071	15	09-48-5155	A-41815-0085	15			
WAS: A-41815-NC102-0007			WAS: A-41815-NC587-0023					

STANDARD PRODUCT

REVISIONS

REV.	DATE	DESCRIPTION
1	10/16/00	ISSUE FOR PRODUCTION

APPROVALS

DESIGNED BY	CHECKED BY	DATE

DATE OF FIRST PRODUCTION: 10/16/00

DATE OF LAST PRODUCTION: 01/29/07

PC BOARD CONNECTOR ASSEMBLY

MOLEX INCORPORATED

41815 SERIES DWG.

SEE CHART

SDA-41815

REVISIONS ONLY ON CAD SYSTEM

ENG. NO.	HOUSING NO.	HOUSING TYPE	TERMINAL NO.	TERM. MAT'L	ASSEMBLY PROCEDURE	DIM. C	TERMINAL VOID LOC.	PACKAGING	KINKED TERMINAL	HOOKS REMOVED
A-41815-0100/0113	41815-N-AN	WITH RAMPS	2188-1(P913)	BRASS	B: BOTTOM ENTRY	(3.18) / .125	NONE	BULK	NO	NO
A-41815-0114/0127	41815-N-AN	WITH RAMPS	2144-AA-A1A4-P913B	BRASS	C: TOP ENTRY	(3.06) / .120	NONE	BULK	NO	YES
A-41815-0128/0141	41815-N-AN	WITH RAMPS	2144-AA-A1A4-122B	BRASS	A: RIGHT ANGLE	(3.68) / .145	NONE	BULK	NO	NO
A-41815-0142/0155	41815-N-AN	WITH RAMPS	2188-1(102)	BRASS	B: BOTTOM ENTRY	(3.18) / .125	NONE	BULK	NO	NO
A-41815-0156/0169	41815-N-AN	WITH RAMPS	2144-AA-A2A4-P913B	BRASS	C: TOP ENTRY	(4.80) / .189	NONE	BULK	YES	NO
A-41815-0170/0183	41815-N-AN	WITH RAMPS	6298-1(102)	PHOS BRONZE	B: BOTTOM ENTRY	(4.06) / .160	NONE	BULK	NO	NO
A-41815-0184/0197	41815-N-AN	WITH RAMPS	2188-1(563)	BRASS	B: BOTTOM ENTRY	(3.18) / .125	NONE	BULK	NO	NO
A-41815-0198/0211	41815-N-AN	WITH RAMPS	2144-AA-A1A4-P913B	BRASS	A: RIGHT ANGLE	(3.68) / .145	NONE	BULK	NO	NO

A-41815-0100/0113		
PART NO.	ENG. NO.	CKT
09-48-2022	A-41815-0100	2
09-48-2032	A-41815-0101	3
09-48-2042	A-41815-0102	4
09-48-2052	A-41815-0103	5
09-48-2062	A-41815-0104	6
09-48-2072	A-41815-0105	7
09-48-2082	A-41815-0106	8
09-48-2092	A-41815-0107	9
09-48-2102	A-41815-0108	10
09-48-2112	A-41815-0109	11
09-48-2132	A-41815-0110	12
09-48-2142	A-41815-0111	13
09-48-2152	A-41815-0112	14
09-48-2162	A-41815-0113	15
WAS: A-41815-NB913-0002		

A-41815-0114/0127		
PART NO.	ENG. NO.	CKT
09-48-2025	A-41815-0114	2
09-48-2035	A-41815-0115	3
09-48-2045	A-41815-0116	4
09-48-2055	A-41815-0117	5
09-48-2065	A-41815-0118	6
09-48-2075	A-41815-0119	7
09-48-2085	A-41815-0120	8
09-48-2095	A-41815-0121	9
09-48-2105	A-41815-0122	10
09-48-2115	A-41815-0123	11
09-48-2125	A-41815-0124	12
09-48-2135	A-41815-0125	13
09-48-2145	A-41815-0126	14
09-48-2155	A-41815-0127	15
WAS: A-41815-NC913-0004		

A-41815-0128/0141		
PART NO.	ENG. NO.	CKT
09-48-4022	A-41815-0128	2
09-48-4032	A-41815-0129	3
09-48-4042	A-41815-0130	4
09-48-4052	A-41815-0131	5
09-48-4062	A-41815-0132	6
09-48-4072	A-41815-0133	7
09-48-4082	A-41815-0134	8
09-48-4092	A-41815-0135	9
09-48-4102	A-41815-0136	10
09-48-4112	A-41815-0137	11
09-48-4122	A-41815-0138	12
09-48-4132	A-41815-0139	13
09-48-4142	A-41815-0140	14
09-48-4152	A-41815-0141	15
WAS: A-41815-NA122-0001		

A-41815-0156/0169		
PART NO.	ENG. NO.	CKT
09-48-2024	A-41815-0156	2
09-48-2034	A-41815-0157	3
09-48-2044	A-41815-0158	4
09-48-2054	A-41815-0159	5
09-48-2064	A-41815-0160	6
09-48-2074	A-41815-0161	7
09-48-2084	A-41815-0162	8
09-48-2094	A-41815-0163	9
09-48-2104	A-41815-0164	10
09-48-2114	A-41815-0165	11
09-48-2124	A-41815-0166	12
09-48-2134	A-41815-0167	13
09-48-2144	A-41815-0168	14
09-48-2154	A-41815-0169	15
WAS: A-41815-NC913-0006		

A-41815-0170/0183		
PART NO.	ENG. NO.	CKT
09-48-4021	A-41815-0170	2
09-48-4031	A-41815-0171	3
09-48-4041	A-41815-0172	4
09-48-4051	A-41815-0173	5
09-48-4061	A-41815-0174	6
09-48-4071	A-41815-0175	7
09-48-4081	A-41815-0176	8
09-48-4091	A-41815-0177	9
09-48-4101	A-41815-0178	10
09-48-4111	A-41815-0179	11
09-48-4121	A-41815-0180	12
09-48-4131	A-41815-0181	13
09-48-4141	A-41815-0182	14
09-48-4151	A-41815-0183	15
WAS: A-41815-NB102-0008		

A-41815-0198/0211		
PART NO.	ENG. NO.	CKT
09-48-2021	A-41815-0198	2
09-48-2031	A-41815-0199	3
09-48-2041	A-41815-0200	4
09-48-2051	A-41815-0201	5
09-48-2061	A-41815-0202	6
09-48-2071	A-41815-0203	7
09-48-2081	A-41815-0204	8
09-48-2091	A-41815-0205	9
09-48-2101	A-41815-0206	10
09-48-2111	A-41815-0207	11
09-48-2121	A-41815-0208	12
09-48-2131	A-41815-0209	13
09-48-2141	A-41815-0210	14
09-48-2151	A-41815-0211	15
WAS: A-41815-NA913-0001		

A-41815-0184/0197		
PART NO.	ENG. NO.	CKT
09-48-5030	A-41815-0184	2
09-48-5040	A-41815-0185	3
09-48-5050	A-41815-0186	4
09-48-5060	A-41815-0187	5
09-48-5070	A-41815-0188	6
09-48-5080	A-41815-0189	7
09-48-5090	A-41815-0190	8
09-48-5100	A-41815-0191	9
09-48-5110	A-41815-0192	10
09-48-5120	A-41815-0193	11
09-48-5130	A-41815-0194	12
09-48-5140	A-41815-0195	13
09-48-5150	A-41815-0196	14
09-48-5160	A-41815-0197	15
WAS: A-41815-NB563-0002		

A-41815-0156/0169		
PART NO.	ENG. NO.	CKT
09-48-2024	A-41815-0156	2
09-48-2034	A-41815-0157	3
09-48-2044	A-41815-0158	4
09-48-2054	A-41815-0159	5
09-48-2064	A-41815-0160	6
09-48-2074	A-41815-0161	7
09-48-2084	A-41815-0162	8
09-48-2094	A-41815-0163	9
09-48-2104	A-41815-0164	10
09-48-2114	A-41815-0165	11
09-48-2124	A-41815-0166	12
09-48-2134	A-41815-0167	13
09-48-2144	A-41815-0168	14
09-48-2154	A-41815-0169	15
WAS: A-41815-NC913-0006		

REVISIONS ONLY ON CAD SYSTEM

13-9637-1566 PC BOARD CONNECTOR ASSEMBLY 41815 SERIES DWG.

MOLEX INCORPORATED SHEET NO. 01/29/87

SEE CHART

DATE: 10/16/00

BY: [Signature]

CHKD: [Signature]

APP'D: [Signature]

REV. 1

SEE SHEET I	AA	SEE SHEET I
SEE SHEET I	T2	SEE SHEET I
SEE SHEET I	T	SEE SHEET I
SEE SHEET I	S4	SEE SHEET I
SEE SHEET I	J1	SEE SHEET I
SEE SHEET I	J	SEE SHEET I
SEE SHEET I	J	REVISIONS
LTR.	REVISIONS	LTR.

DATE	BY	DESCRIPTION
10/16/00	[Signature]	REVISED FOR 41815-NB102-0008
10/16/00	[Signature]	REVISED FOR 41815-NA913-0001
10/16/00	[Signature]	REVISED FOR 41815-NB563-0002
10/16/00	[Signature]	REVISED FOR 41815-NC913-0006
10/16/00	[Signature]	REVISED FOR 41815-NA122-0001
10/16/00	[Signature]	REVISED FOR 41815-0198/0211

ENG. NO.	HOUSING NO.	HOUSING TYPE	TERMINAL NO.	TERM. MAT'L	ASSEMBLY PROCEDURE	DIM. C	VOID LOC.	PACKING	KINKED TERMINAL	HOOKS REMOVED
A-41815-0212/0225	41815-N-AN	WITH RAMPS	2144-BA-A1A1A122B	PHOS BRONZE	A: SIDE ENTRY	(3.68) / .145	NONE	BULK	NO	NO
A-41815-0226/0240	41815-N-AN	WITH RAMPS	2188-1(587)	BRASS	B: BOTTOM ENTRY	(3.18) / .125	2,4	BULK	NO	NO
A-41815-0242/0254	41815-N-AN	WITH RAMPS	2188-1(587)	BRASS	B: BOTTOM ENTRY	(3.18) / .125	3	BULK	NO	NO
A-41815-0255/0270	41815-N-AN	WITH RAMPS	2144-BA-A1A1A122B	PHOS BRONZE	C: TOP ENTRY	(3.05) / .120	NONE	BULK	NO	NO
A-41815-0271/0284	41815-N-AN	WITH RAMPS	6298-1(122)	PHOS BRONZE	B: BOTTOM ENTRY	(4.06) / .160	NONE	BULK	NO	NO
A-41815-0299/0312	41815-N-AN	WITH RAMPS	2144-AA-A2AA102B	BRASS	C: TOP ENTRY	(4.80) / .189	NONE	BULK	NO	YES
A-41815-0313/0326	41815-N-AN	WITH RAMPS	2144-AA-A1AA-563B	BRASS	A: SIDE ENTRY	(3.68) / .145	NONE	BULK	NO	NO

PART NO.	ENG. NO.	CKT	A-41815-0212/0225			A-41815-0226/0240			A-41815-0242/0254			A-41815-0255/0270		
			PART NO.	ENG. NO.	CKT	PART NO.	ENG. NO.	CKT	PART NO.	ENG. NO.	CKT	PART NO.	ENG. NO.	CKT
09-48-4097	A-41815-0219	9						09-48-5032	A-41815-0242	3	09-48-4024	A-41815-0255	2	
	A-41815-0220	10							A-41815-0243	4	09-48-4034	A-41815-0256	3	
	A-41815-0221	11							A-41815-0244	5	09-48-4044	A-41815-0257	4	
	A-41815-0222	12							A-41815-0245	6	09-48-4054	A-41815-0258	5	
	A-41815-0223	13							A-41815-0246	7	09-48-4064	A-41815-0259	6	
	A-41815-0224	14							A-41815-0247	8	09-48-4074	A-41815-0260	7	
	A-41815-0225	15							A-41815-0248	9	09-48-4084	A-41815-0261	8	
WAS	A-41815-NA122-0011		WAS	A-41815-NB587-0012		WAS	A-41815-NB587-0013		A-41815-0249	10	09-48-4104	A-41815-0262	9	
									A-41815-0250	11	09-48-4114	A-41815-0263	10	
									A-41815-0251	12	09-48-4124	A-41815-0266	12	
									A-41815-0252	13	09-48-4134	A-41815-0267	13	
									A-41815-0253	14	09-48-4144	A-41815-0269	14	
									A-41815-0254	15	09-48-4154	A-41815-0270	15	
									WAS		WAS	A-41815-NC122-0011		

PART NO.	ENG. NO.	CKT	A-41815-0271/0284			A-41815-0299/0312			A-41815-0313/0326				
			PART NO.	ENG. NO.	CKT	PART NO.	ENG. NO.	CKT	PART NO.	ENG. NO.	CKT		
09-48-4083	A-41815-0218	8						09-48-4026	A-41815-0299	2	09-48-5023	A-41815-0313	2
	A-41815-0219	9						09-48-4036	A-41815-0300	3	09-48-5033	A-41815-0314	3
	A-41815-0220	10						09-48-4046	A-41815-0301	4	09-48-5043	A-41815-0315	4
	A-41815-0221	11						09-48-4056	A-41815-0302	5	09-48-5053	A-41815-0316	5
	A-41815-0225	15						09-48-4066	A-41815-0303	6	09-48-5063	A-41815-0317	6
								09-48-4076	A-41815-0304	7	09-48-5073	A-41815-0318	7
								09-48-4086	A-41815-0305	8	09-48-5083	A-41815-0319	8
								09-48-4096	A-41815-0306	9	09-48-5093	A-41815-0320	9
								09-48-4106	A-41815-0307	10	09-48-5103	A-41815-0321	10
								09-48-4116	A-41815-0308	11	09-48-5113	A-41815-0322	11
								09-48-4126	A-41815-0309	12	09-48-5123	A-41815-0323	12
								09-48-4136	A-41815-0310	13	09-48-5133	A-41815-0324	13
								09-48-4146	A-41815-0311	14	09-48-5143	A-41815-0325	14
								09-48-4156	A-41815-0312	15	09-48-5153	A-41815-0326	15
WAS	A-41815-NB122-0008		WAS	A-41815-NC102-0015		WAS			WAS:		WAS:	A-41815-NA553-0001	

REVISIONS

NO.	DATE	BY	DESCRIPTION
1			
2			

DETAILS

DRAWING NUMBER: 41815-NB122-0008
 DATE: 10/16/00
 SCALE: 1:1
 SHEET NO.: 13 OF 16

APPROVALS

DESIGNED BY: [Signature]
 CHECKED BY: [Signature]
 DRAFTER BY: [Signature]
 ENGINEER BY: [Signature]

COMPONENTS

PC BOARD CONNECTOR
 ASSEMBLY
 41815 SERIES DWG.
MOLEX INCORPORATED
 SHEET NO. 4 DATE 10/29/87

SEE SHEET SDA-41815

THIS DRAWING IS THE PROPERTY OF MOLEX INCORPORATED. IT IS TO BE USED ONLY FOR THE PURPOSES SPECIFIED HEREON.