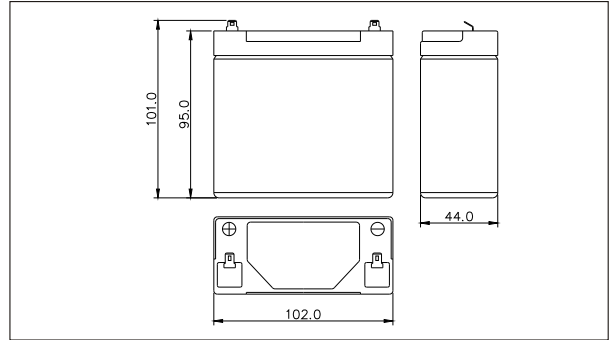




SW4100(4V10AH)



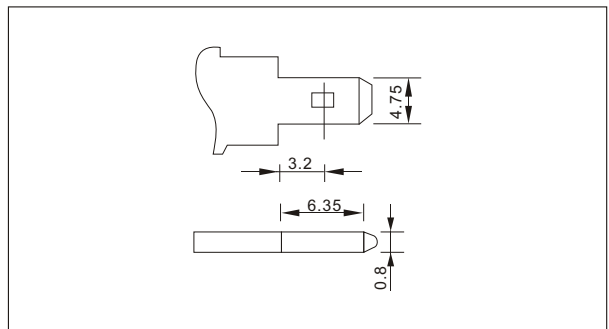
● Outer dimensions (mm)



● Specifications

Nominal Voltage		4V
Rated capacity (20 hour rate)		10.0 Ah
Dimensions	Total Height	101mm (3.98 inches)
	Height	95mm (3.74 inches)
	Length	102mm (4.0 inches)
	Width	44mm (1.73 inches)
Weight Approx		1.06Kg (2.33lbs)

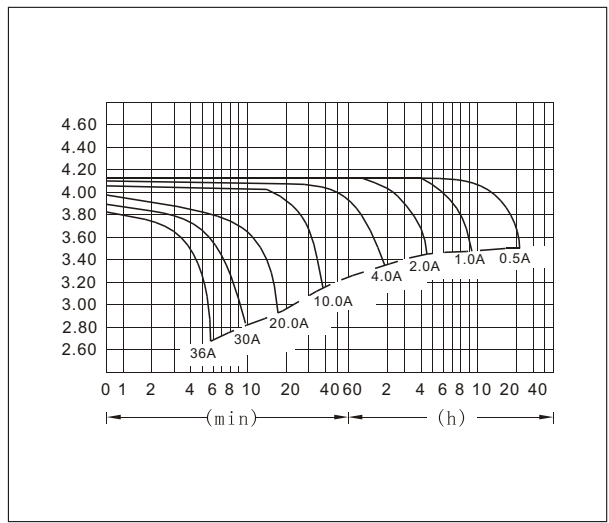
● Terminal Type (mm)



● Characteristics

Capacity 25°C(77°F)	20 hour rate(0.5A)	10.0 AH
	10 hour rate(0.92A)	9.2AH
	5 hour rate(1.7A)	8.5 AH
	1 hour rate(6.0A)	6.0 AH
	1.5 hour discharge to 5.25 V	4.3 A
Internal Resistance	Full charged Battery at 25°C(77°F)	8 mΩ
Capacity affected by Temperature (20hour rate)	40°C(104°F)	102%
	25°C(77°F)	100%
	0°C(32°F)	85%
	-15°C(5°F)	65%
Self-Discharge at 25°C(77°F)	Capacity after 3 month storage	91%
	Capacity after 6 month storage	82%
	Capacity after 12 month storage	64%
Terminal		T1
Charge (constant Voltage)	Cycle	Initial Charging Current less than 4A Voltage 4.8-4.9V
	Float	Voltage 4.5-4.6V

● Discharge Curves 25°C(77°F)



Constant Current(Amp) and Constant Power(Watt) Discharge Table at 25°C(77°F)

Time	5min	10min	15min	30min	1h	2h	3h	4h	5h	8h	10h	20h	
3.20V	A	36.0	23.6	17.5	11.5	6.0	3.50	2.58	2.07	1.75	1.16	0.95	0.52
	W	125	84	63	41.3	21.7	12.8	9.56	7.75	6.65	4.43	3.64	2.00
3.40V	A	33.0	22.6	16.1	10.9	5.6	3.36	2.50	2.00	1.72	1.14	0.93	0.50
	W	118	84	60	40.8	21.3	12.9	9.65	7.75	6.68	4.43	3.64	1.97
3.50V	A	30.0	21.1	15.0	10.6	5.5	3.29	2.46	1.90	1.71	1.13	0.92	0.50
	W	110	80	57	40.6	21.0	12.7	9.54	7.42	6.64	4.42	3.63	1.97
3.60V	A	28.9	20.2	14.0	10.3	5.3	3.21	2.42	1.87	1.63	1.10	0.90	0.49
	W	108	78	54	39.7	20.4	12.5	9.50	7.35	6.40	4.33	3.56	1.93
3.70V	A	26.7	19.0	13.0	10.0	5.1	3.13	2.29	1.83	1.55	1.07	0.88	0.48
	W	101	73	50	39.0	19.9	12.3	9.07	7.28	6.18	4.26	3.53	1.92