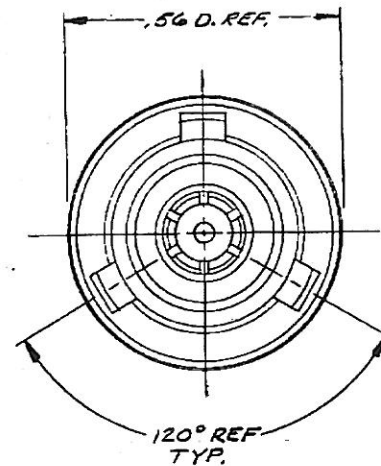
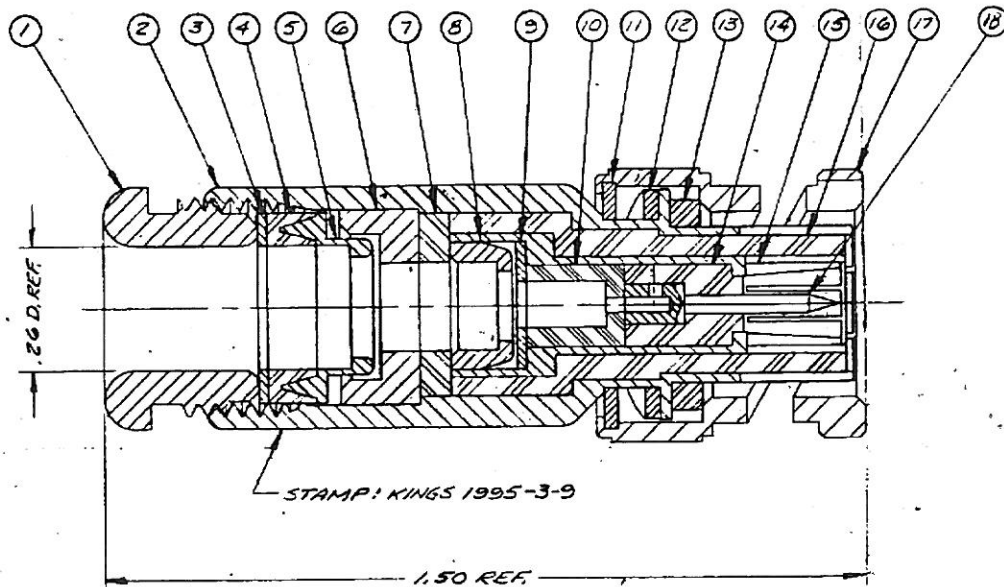


DASH NO.	DESCRIPTION	MADE FROM
----------	-------------	-----------



NOTES:

1. FOR USE WITH M17/134-00001 OR TIMES TRF-58 CABLE.
2. FOR CABLING INSTRUCTIONS SEE CP-1303.

UNLESS OTHERWISE SPECIFIED:

- | | |
|---|--|
| 1. TOLERANCES: FRACTIONS & 2 PLACE DECIMALS ± .010
3 PLACE DECIMALS ± .004
T. I. R. CONCENTRICITY OF ANY 2 DIAMETERS MAY NOT EXCEED HALF THE SUM OF THEIR TOLERANCES. | 2. REMOVE ALL BURRS. BREAK SHARP EDGES .005 MAX. |
| 3. NO FILLETS PERMITTED. | 4. SURFACE ROUGHNESS 63 MICROINCHES RMS MAX. |
| | 5. ALL DIMENSIONS PRIOR TO PLATING. |

(SHEET 1 OF 2)
 1995-3-9 S-D

REVISIONS	
ISSUE	CHANGE
0	ER 21459 MJB 9 JAN 81
1	CN 21774 D KOR 27 MAR 81
2	CN 28495 D AJ 11 DEC 86
3	CN 31416 A JCA 6 FEB 90
4	CN 34639 C 17 MAY 93

S-D

USED ON:
REF:
FINISH:
SPEC:
MATL:
SPEC:

BNC TRIAXIAL PLUG (3 STUD)

DRAWN MJB	DATE 20 NOV 79
APPR. GA	DATE 8 JAN 81

KINGS ELECTRONICS
40 HARBORDALE ROAD
TUCKAHOE, N.Y. 10707

1995-3-9 S-D

(SHEET 1 OF 2)

ITEM	REQ'D	DESCRIPTION	PART NO.
------	-------	-------------	----------

