

# Aluminum Electrolytic Capacitors

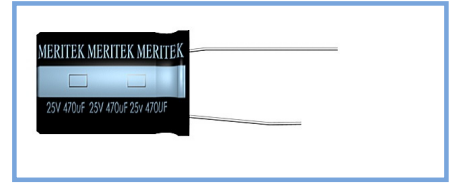


RFL Series  
(High R.C., Long Life)

MERITEK

## FEATURES

- Endurance 105°C 8,000 to 10,000 hours.
- Suitable for electronic ballast, adaptor and switching power



## SPECIFICATIONS

Item	Characteristic						
Operating Temp Range	- 40 ~ +105°C			- 25 ~ +105°C			
Rated Working Voltage	160 ~ 400VDC			450VDC			
Capacitance Tolerance (120Hz 20°C)	± 20%(M)						
Leakage Current (20°C)	I ≤ 0.06CV+10 (uA) * After 2 minutes			I : Leakage Current (μA) C : Rated Capacitance(μF) V : Working Voltage (V)			
Surge Voltage (20°C)	W.V.	160	200	250	350	400	450
	S.V.	200	250	300	400	450	500
Dissipation Factor ( tan δ ) (120Hz 20°C)	W.V.	160	200	250	350	400	450
	tan δ	0.15	0.15	0.15	0.24	0.24	0.24
Low Temperature Stability	Impedance ratio at 120Hz						
	Rated Voltage (V)	160~250		350~400		450	
	-25°C / +20°C	3		6		6	
	-40°C / +20°C	4		6		-	
Load Life	After hours application (φD=10mm 8000hrs, φD ≥12.5mm 10000hrs) of W.V. and +105°C ripple current value, the capacitor shall meet the following limits. ( DC + ripple peak voltage ≤ rated working voltage )						
	Capacitance Change	≤ ±20% of initial value.					
	Dissipation Factor	≤ 200% of initial specified value					
	Leakage Current	≤ initial specified value					
Shelf Life	At +105°C no voltage application after 1000 hours, the capacitor shall meet the limits for load life characteristics. ( with voltage treatment )						

## PART NUMBER SYSTEM

RFL 160V 101 M TA 16x25

Meritek Series

Rated Voltage

Rated Capacitance

Express in micro farad(μF). First two digits are significant figures, Third digit denotes number of zeros. 'R' denotes decimal point for values less than 10uF

Tolerance

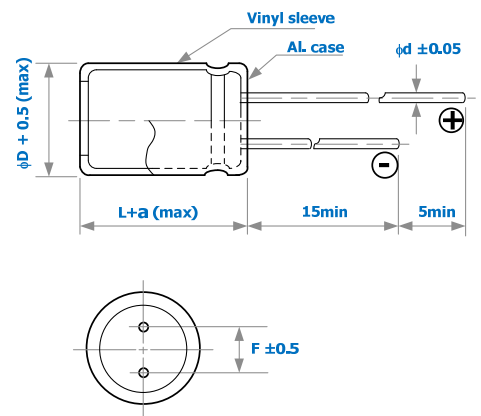
M - ±20%

Package

Code	TA	TR	Blank
	Tape & Ammo	Tape & Reel	

Case size – (D) Diameter x (L) Length in mm (Optional)

## DIMENSIONS (mm)



φD	10	12.5	16	18
F	5.0	5.0	7.5	7.5
d	0.6	0.6	0.8	0.8
a	1.5	1.5	1.5	1.5

# Aluminum Electrolytic Capacitors



**RFL Series**  
(High R.C., Long Life)

**MERITEK**

## RIPPLE CURRENT COEFFICIENTS

Frequency(Hz)	120	1k	10k	100k
W.V.	Multiplier			
160~450	0.50	0.80	0.90	1.00

Temperature(°C)	65	75	85	95	105
Multiplier	1.80	1.65	1.50	1.25	1.00

## CASE SIZE & MAX RIPPLE CURRENT

Case size : DxL (mm)  
Max. ripple current : mA(rms) 105°C 100kHz

Cap. (uF)	V	160		200		250	
		DxL	R.C.	DxL	R.C.	DxL	R.C.
10		10x16	250	10x16	250	10x20	280
22		10x20	500	10x20	500	12.5x20	600
33		10x20	500	12.5x20	600	12.5x20	600
47		12.5x20	660	12.5x20	660	12.5x25	720
						16x20	720
68		12.5x25	760	12.5x25	760	16x25	920
		16x20	760	16x20	760	18x20	920
100		16x25	1120	16x25	1120	16x31.5	1200
		18x20	1120	18x20	1120	18x25	1200
150		16x31.5	1360	16x31.5	1360	18x31.5	1500
		18x25	1360	18x25	1360		
220		16x31.5	1400	18x31.5	1700		
		18x25	1400				

Cap. (uF)	V	350		400		450	
		DxL	R.C.	DxL	R.C.	DxL	R.C.
6.8		10x16	220	10x16	220	10x20	150
10		10x20	280	10x20	280	12.5x20	320
22		12.5x20	350	12.5x25	430	16x25	560
				12.5x20	430	18x20	560
				16x20	430		
33		16x20	500	16x25	640	16x31.5	700
				18x20	640	18x25	700
47		16x25	660	16x31.5	840	18x31.5	880
		18x20	660	18x25	840		
68		16x31.5	850	18x31.5	1000	18x35.5	1150
		18x25	850				