

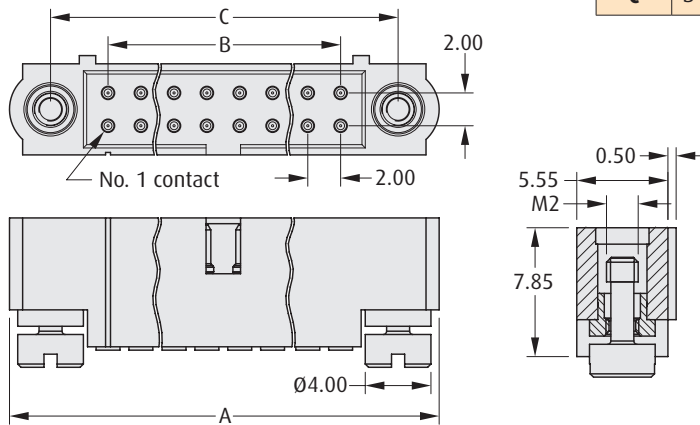
Datamate Connectors

Male Crimp Reverse Fix

- ❖ Mates with female connectors shown on pages 27, 30 and 31.
- ❖ Allows for further flexibility in system design.
- ❖ Crimp contacts supplied loose.
- ❖ Crimp contacts are rear insertable and replaceable.
- ❖ Large bore 22 AWG, small bore 24-28 AWG.
- ❖ Part numbers are for housings and the equivalent number of contacts.
- ❖ Spare contacts are available – see page 17.

WITH JACKSCREWS

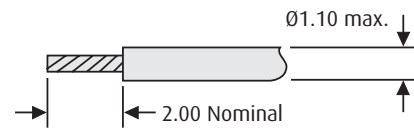
CALCULATION	
A	B + 12
B	Total No. of contacts - 2
C	B + 7



TOOLS

WIRE STRIPPING DETAILS

Recommended Crimp Tool – M22520/2-01
Positioner – Z80-193
Contact Insertion/Removal Tool – Z80-280
 See pages 77 to 79
 ❖ Instruction sheets available at www.harwin.com/downloads/instructions



HOW TO ORDER

M80 - XXX XX 05

SERIES CODE

TYPE	
562	Large Bore Connector
563	Small Bore Connector

FINISH	
05	Gold

TOTAL NO. OF CONTACTS	
04 to 50	

Even numbers only

www.harwin.com

All dimensions in mm.

