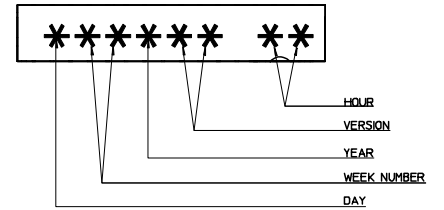
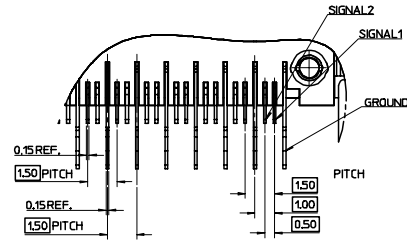
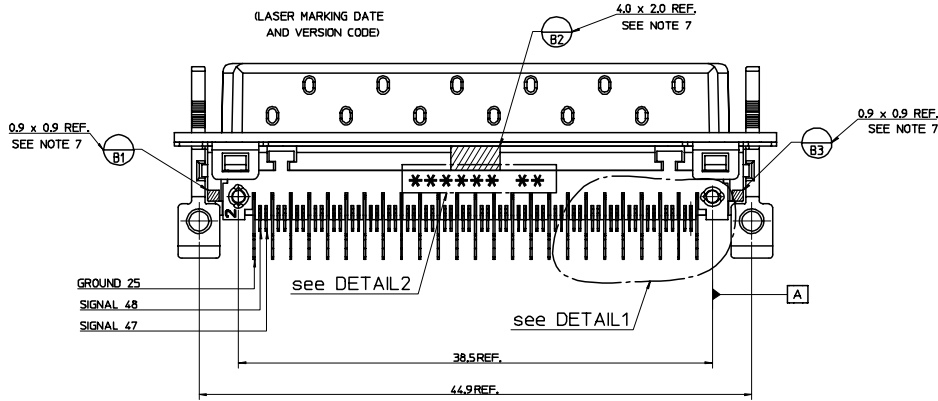
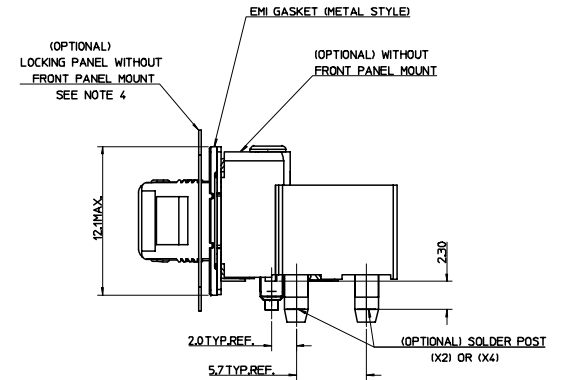
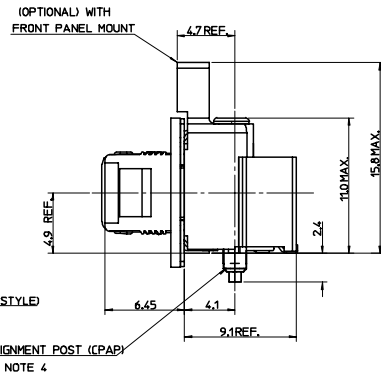
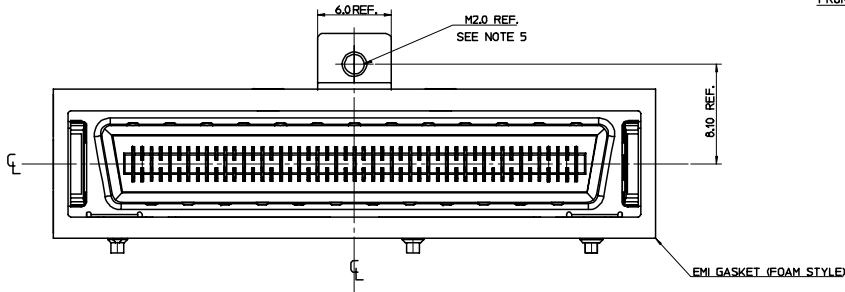


DETAIL1  
Scale 8:1



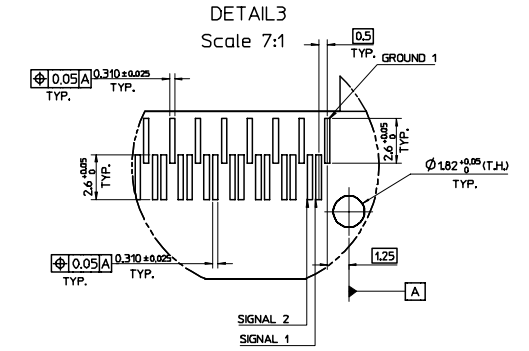
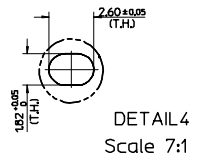
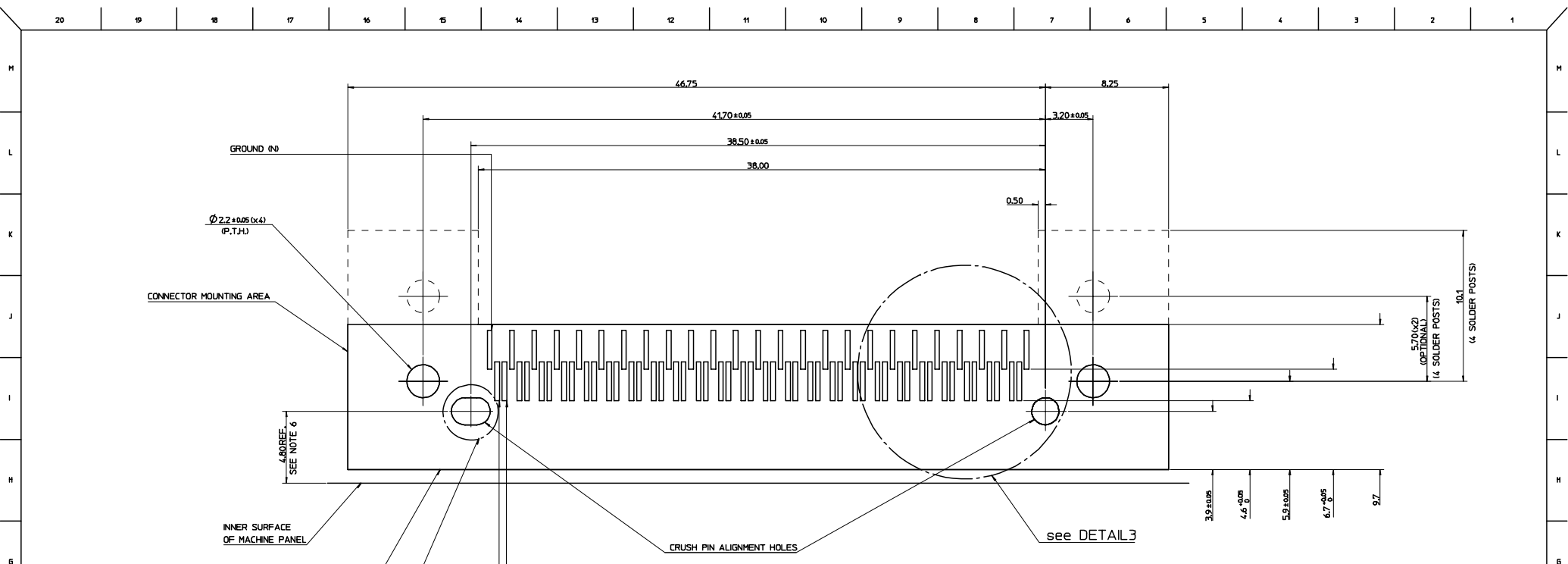
DETAIL2  
Scale 10:1



NOTES:

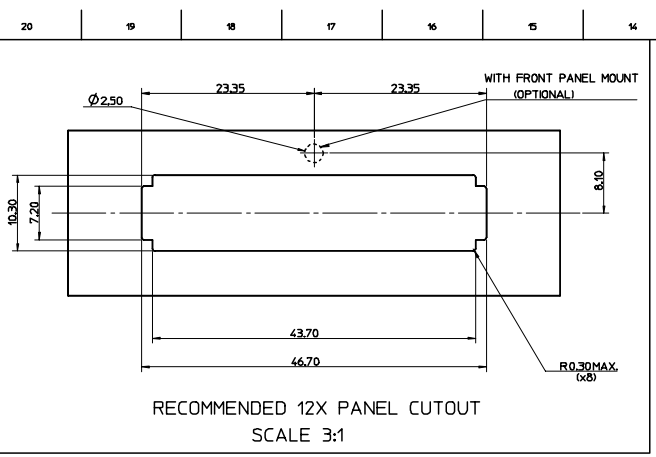
1. PRODUCT SPECIFICATION PS-91525-001
2. PACKAGING SPECIFICATION PK-91803-001
3. SCREW THREAD M2.0 X 0.4 PITCH TAPPED THROUGH, RECOMMENDED SCREW M2 X 0.4 PITCH, LENGTH 8mm, WITH A PAN HEAD, RECOMMENDED TORQUE 0.3Nm MAX.
4. CPAP USED TO ALIGN THE SOLDER TAILS WITH THE SOLDER PADS
5. SCREW THREAD M2.0 X 0.4 PITCH TAPPED THROUGH, RECOMMENDED SCREW M2 X 0.4 PITCH, LENGTH 5mm, WITH A PAN HEAD, RECOMMENDED TORQUE 0.3Nm MAX.
6. RECEPTACLE CONTACTS 127um MIN NICKEL ALL OVER CONTACT AREA 0.10 um MIN GOLD OVER 0.76um MIN PALLADIUM NICKEL SMT AREA 3um MIN TIN.
7. PCB DATUM B = B1 + B2 + B3
8. PCB RETENTION OPTIONS:  
2 OR 4 SCREWS, (4 FOR REAR MOUNT OPTION),  
2 OR 4 SOLDER POSTS, (4 FOR REAR MOUNT OPTION),
9. LOCKING PANEL (91532) ONE PER CONNECTOR ORDER SEPARATELY. SEE SALES DRAWING SD-91532-001
9. FOR 4X PARTS PLEASE REFER TO SD-91804-001 (FOAM GASKET) AND SD-91804-003 (METAL GASKET)

UPDATE SHIELD ELC INC. E7006-0827 DRIVING CARTON 2006/05/26 CHECKED 2006/05/31 APPROVED/PLAN 2006/06/09 REV	QUALITY SYMBOLS	GENERAL TOLERANCES (UNLESS SPECIFIED)	DIMENSION STYLE MM ONLY	SCALE 5:1	DESIGN UNITS METRIC	THIRD ANGLE PROJECTION																
	$\nabla=0$ $\nabla=0$	<table border="1"> <tr> <th></th> <th>mm</th> <th>INCH</th> </tr> <tr> <td>4 PLACES</td> <td><math>\pm</math></td> <td><math>\pm</math></td> </tr> <tr> <td>3 PLACES</td> <td><math>\pm</math></td> <td><math>\pm</math></td> </tr> <tr> <td>2 PLACES</td> <td><math>\pm 0.10</math></td> <td><math>\pm</math></td> </tr> <tr> <td>1 PLACE</td> <td><math>\pm 0.2</math></td> <td><math>\pm</math></td> </tr> </table>		mm	INCH	4 PLACES	$\pm$	$\pm$	3 PLACES	$\pm$	$\pm$	2 PLACES	$\pm 0.10$	$\pm$	1 PLACE	$\pm 0.2$	$\pm$	DRAWN BY DWALSH 11/11/04 CHECKED BY KDELANEY 18/11/04 APPROVED BY J WALLACE 25/11/04	DATE 11/11/04 DATE 18/11/04 DATE 25/11/04	TITLE 12X LATCH SALES DRAWING	MOLEX INCORPORATED	SHEET NO. 1 OF 5
		mm	INCH																			
4 PLACES	$\pm$	$\pm$																				
3 PLACES	$\pm$	$\pm$																				
2 PLACES	$\pm 0.10$	$\pm$																				
1 PLACE	$\pm 0.2$	$\pm$																				
DRAFT WHERE APPLICABLE MUST REMAIN WITHIN DIMENSIONS	SEE SHEET 4&5 SD-91525-004	MATERIAL NO. DOCUMENT NO.	THIS DRAWING CONTAINS INFORMATION THAT IS PROPRIETARY TO MOLEX INCORPORATED AND SHOULD NOT BE USED WITHOUT WRITTEN PERMISSION																			

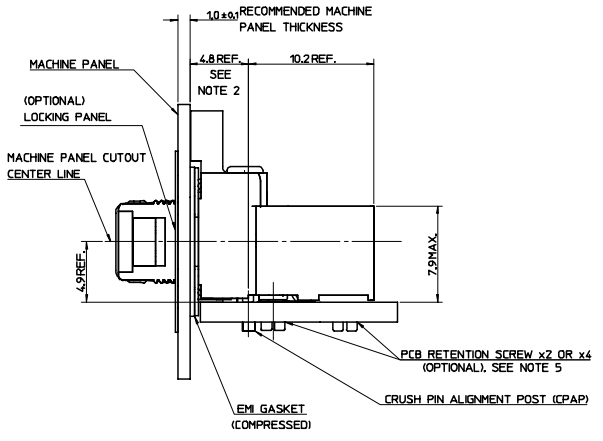
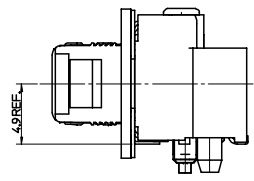


- NOTES:
1. REFER TO SHEET 1 FOR ANY UNSPECIFIED NOTES OR DIMENSIONS.
  2. AREAS OUTLINED TO BE FREE OF COMPONENTS
  3. ALL HOLE SIZES ARE FINISHED HOLE SIZES.
  4. FOR ANY UNSPECIFIED DIMENSIONS OR NOTES SEE SHEET 1
  5. RANGE OF PCB THICKNESSES: 1.6 TO 2.10mm INCLUSIVE.  
LONGER SOLDER POSTS AVAILABLE FOR OTHER PCB THICKNESSES,  
FOR FURTHER INFORMATION PLEASE CONTACT LOCAL SALES OFFICE.
  6. THE DESIGN CAN ACCOMMODATE DIFFERENT VALUES OF THIS DIMENSION  
BY VARYING THE EMI GASKET THICKNESS. FOR FURTHER INFORMATION  
PLEASE CONTACT YOUR LOCAL SALES OFFICE

SEE SHEET 1 ELEC INC E2004-082Z DRWG: CARTON 2006/05/26 CHKD: 2006/05/31 APPR: EUDLAN 2006/06/09	QUALITY SYMBOLS 	GENERAL TOLERANCES (UNLESS SPECIFIED)		DIMENSION STYLE MM ONLY	SCALE 8:1	DESIGN UNITS METRIC	THIRD ANGLE PROJECTION
		4 PLACES ± --- ± --- 3 PLACES ± --- ± --- 2 PLACES ± 0.10 ± --- 1 PLACE ± 0.2 ± --- ANGULAR ± 2°	mm INCH --- --- --- --- --- --- --- ---	DRAWN BY DWALSH 11/11/04 CHECKED BY KDELANEY 18/11/04 APPROVED BY JWALLACE 25/11/04	DATE DATE DATE	TITLE 12X LATCH SALES DRAWING	MOLEX INCORPORATED
DRAFT WHERE APPLICABLE MUST REMAIN WITHIN DIMENSIONS		SEE SHEET 4&5 SD-91525-004		MATERIAL NO. SIZE A 1	DOCUMENT NO.	SHEET NO. 2 OF 5	
THIS DRAWING CONTAINS INFORMATION THAT IS PROPRIETARY TO MOLEX INCORPORATED AND SHOULD NOT BE USED WITHOUT WRITTEN PERMISSION							



CONNECTOR WITHOUT  
OPTIONAL FEATURES



(OPTIONAL)  
FRONT PANEL MOUNT

EMI GASKET

SHIELD

LATCH

(OPTIONAL) PCB  
REAR MOUNTING HOLES

SOLDER POST OR  
SCREWS (x2) OR (x4)

SEE NOTE 3

12X PANEL CUTOUT WITH  
FRONT PANEL MOUNT

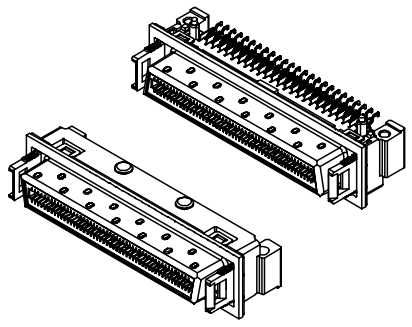
LOCKING PANEL WITH  
FRONT PANEL MOUNT (OPTIONAL)

NOTES:

- REFER TO SHEET 1 FOR ALL UNSPECIFIED NOTES AND DIMENSIONS.
- FINAL ASSEMBLY DIMENSIONS
- PCB RETENTION OPTIONS:  
2 OR 4 SCREWS, (4 FOR REAR MOUNT OPTIONS)  
2 OR 4 SOLDER POSTS, (4 FOR REAR MOUNT OPTIONS)
- LOCKING PANEL (91532) ONE PER CONNECTOR ORDER SEPARATE SEE SALES DRAWING SD-91532-001
- RECOMMENDED SCREW M2 X 0.4 PITCH, LENGTH 8MM, WITH A PAN HEAD.  
RECOMMENDED TORQUE 0.3 Nm MAX.

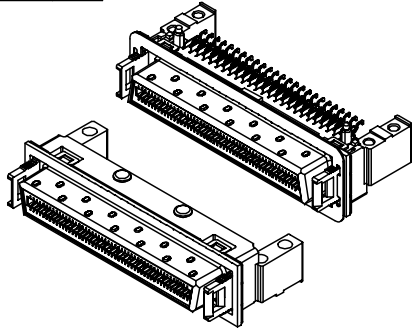
SEE SHEET 1 ELECTRICAL DRAWING E2004-0824 DRAWING CARTON 2006/05/26 CHECKED 2006/05/31 APPROVED/IAN 2006/06/09	QUALITY SYMBOLS ▽=0 ▽=0	GENERAL TOLERANCES (UNLESS SPECIFIED)		DIMENSION STYLE MM ONLY		SCALE 5:1	DESIGN UNITS METRIC	THIRD ANGLE PROJECTION	
		4 PLACES ±	±	INCH	DRAWN BY DWALSH	DATE 11/11/04	TITLE 12X LATCH SALES DRAWING		
		3 PLACES ±	±		CHECKED BY KDELANEY	DATE 18/11/04	MATERIAL NO. DOCUMENT NO.		
		2 PLACES ±	± 0.10	±	APPROVED BY JWALLACE	DATE 25/11/04	MATERIAL NO. DOCUMENT NO.		
		1 PLACE ±	± 0.2	±	ANGULAR ± 2°		MATERIAL NO. DOCUMENT NO.		
DRAFT WHERE APPLICABLE MUST REMAIN WITHIN DIMENSIONS		SEE SHEET 4&5 SD-91525-004		MATERIAL NO. DOCUMENT NO.		MATERIAL NO. DOCUMENT NO.			
		THIS DRAWING CONTAINS INFORMATION THAT IS PROPRIETARY TO MOLEX INCORPORATED AND SHOULD NOT BE USED WITHOUT WRITTEN PERMISSION				MATERIAL NO. DOCUMENT NO.			

12 LATCH I/O	
REAR MOUNTS	NO
PANEL MOUNTS	NO
SOLDER POSTS	NO



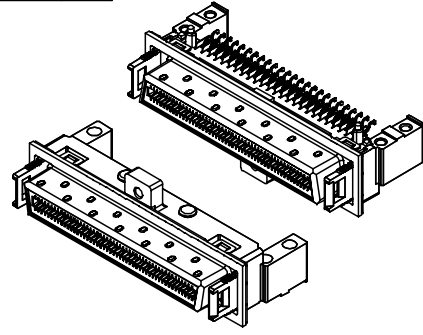
PART NO.	PACKAGING
91525-1210	TRAY
91525-8210	TAPE AND REEL

12 LATCH I/O	
REAR MOUNTS	YES
PANEL MOUNTS	NO
SOLDER POSTS	NO



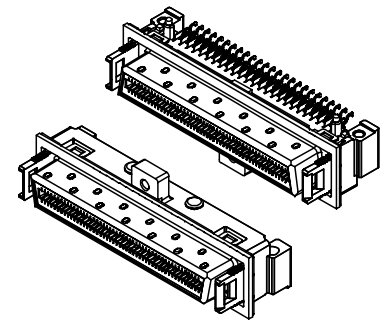
PART NO.	PACKAGING
91525-1212	TRAY
91525-8212	TAPE AND REEL

12 LATCH I/O	
REAR MOUNTS	YES
PANEL MOUNTS	YES
SOLDER POSTS	NO



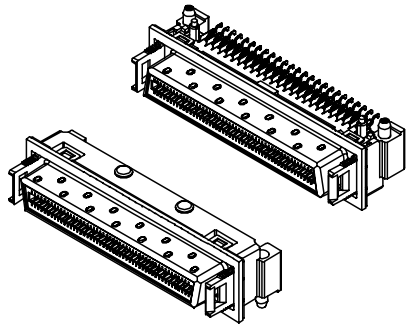
PART NO.	PACKAGING
91525-1214	TRAY
91525-8214	TAPE AND REEL

12 LATCH I/O	
REAR MOUNTS	NO
PANEL MOUNTS	YES
SOLDER POSTS	NO



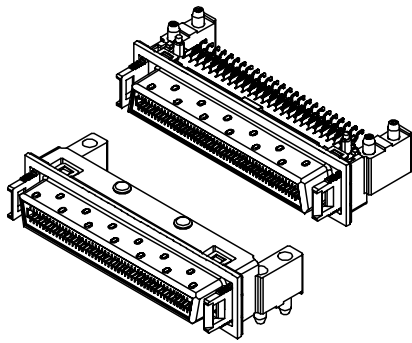
PART NO.	PACKAGING
91525-1216	TRAY
91525-8216	TAPE AND REEL

12 LATCH I/O	
REAR MOUNTS	NO
PANEL MOUNTS	NO
SOLDER POSTS	2



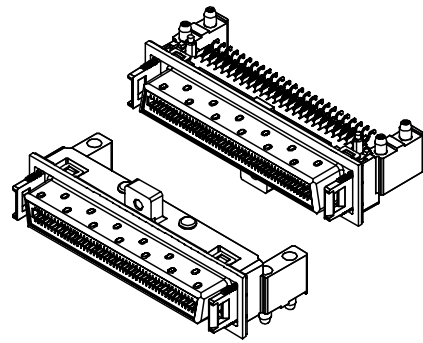
PART NO.	PACKAGING
91525-1250	TRAY
91525-8250	TAPE AND REEL

12 LATCH I/O	
REAR MOUNTS	YES
PANEL MOUNTS	NO
SOLDER POSTS	4



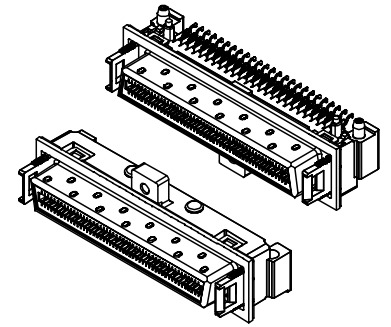
PART NO.	PACKAGING
91525-1252	TRAY
91525-8252	TAPE AND REEL

12 LATCH I/O	
REAR MOUNTS	YES
PANEL MOUNTS	YES
SOLDER POSTS	4



PART NO.	PACKAGING
91525-1254	TRAY
91525-8254	TAPE AND REEL

12 LATCH I/O	
REAR MOUNTS	NO
PANEL MOUNTS	YES
SOLDER POSTS	2

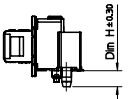
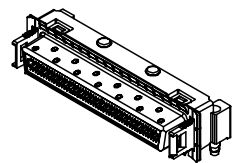
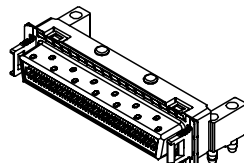
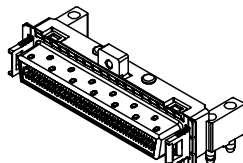
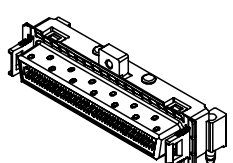


PART NO.	PACKAGING
91525-1256	TRAY
91525-8256	TAPE AND REEL

NOTES:  
 1. REFER TO SHEET 1 FOR ALL UNSPECIFIED NOTES AND DIMENSIONS.  
 2. REFER TO SHEET 2 FOR PCB LAYOUT  
 3. REFER TO SHEET 3 FOR OPTIONAL ASSEMBLY COMPONENTS AND DIMENSIONS.  
 4. FOR 4X PARTS WITH FOAM GASKET PLEASE REFER TO SD-91804-001

SEE SHEET 1 ELEC INC 27004-0824 DRIVING CARTON 2006/05/26 CHECKED 2006/05/31 APPROVED/AN 2006/06/09	QUALITY SYMBOLS 	GENERAL TOLERANCES (UNLESS SPECIFIED) <table border="1"> <tr><th></th><th>mm</th><th>INCH</th></tr> <tr><td>4 PLACES</td><td>± .004</td><td>± .0001</td></tr> <tr><td>3 PLACES</td><td>± .005</td><td>± .0002</td></tr> <tr><td>2 PLACES</td><td>± 0.010</td><td>± .0004</td></tr> <tr><td>1 PLACE</td><td>± 0.2</td><td>± .0078</td></tr> </table>		mm	INCH	4 PLACES	± .004	± .0001	3 PLACES	± .005	± .0002	2 PLACES	± 0.010	± .0004	1 PLACE	± 0.2	± .0078	DIMENSION STYLE MM ONLY SCALE 2.5:1 DESIGN UNITS METRIC THIRD ANGLE PROJECTION
		mm	INCH															
	4 PLACES	± .004	± .0001															
	3 PLACES	± .005	± .0002															
2 PLACES	± 0.010	± .0004																
1 PLACE	± 0.2	± .0078																
DRAWN BY DWALSH 11/11/04 CHECKED BY KDELANEY 18/11/04 APPROVED BY JWALLACE 25/11/04	TITLE 12X LATCH SALES DRAWING	MATERIAL NO. SEE SHEET 4&5 SD-91525-004 DOCUMENT NO.	SHEET NO. 4 OF 5															
DRAFT WHERE APPLICABLE MUST REMAIN WITHIN DIMENSIONS																		
THIS DRAWING CONTAINS INFORMATION THAT IS PROPRIETARY TO MOLEX INCORPORATED AND SHOULD NOT BE USED WITHOUT WRITTEN PERMISSION																		

# METAL GASKET AND SOLDER POST LENGTH OPTIONS

	PACKAGING				
	NO SOLDER POSTS	TRAY TAPE & REEL	91525-1211 91525-8211	91525-1213 91525-8213	91525-1215 91525-8215
Dim H = 2.3	TRAY	91525-1251	91525-1253	91525-1255	91525-1257
	TAPE & REEL	91525-8251	91525-8253	91525-8255	91525-8257
Dim H = 3.3	TRAY	91525-1261	91525-1263	91525-1265	91525-1267
	TAPE & REEL	91525-8261	91525-8263	91525-8265	91525-8267
Dim H = 4.3	TRAY	91525-1291	91525-1293	91525-1295	91525-1297
	TAPE & REEL	91525-8291	91525-8293	91525-8295	91525-8297

- NOTES:  
 1. REFER TO SHEET 1 FOR ALL UNSPECIFIED NOTES AND DIMENSIONS.  
 2. REFER TO SHEET 2 FOR PCB LAYOUT  
 3. REFER TO SHEET 3 FOR OPTIONAL ASSEMBLY COMPONENTS AND DIMENSIONS.  
 4. FOR 4X PARTS WITH METAL GASKET PLEASE REFER TO SD-91804-003

SEE SHEET 1 ELEC INC E2004-0824 2006/05/24 DRAWING CARTON 2006/05/31 CHECKED APPROVED 2006/06/09	QUALITY SYMBOLS	GENERAL TOLERANCES (UNLESS SPECIFIED)	DIMENSION STYLE	SCALE	DESIGN UNITS	THIRD ANGLE PROJECTION	
	▽=0 ▽=0	.mm INCH 4 PLACES ± --- ± --- 3 PLACES ± --- ± --- 2 PLACES ± 0.10 ± --- 1 PLACE ± 0.2 ± --- ANGULAR ± 2°	MM ONLY	2:1	METRIC	DRAWN BY: DWALSH DATE: 11/11/04 CHECKED BY: KDELANEY DATE: 18/11/04 APPROVED BY: JWALLACE DATE: 25/11/04	12X LATCH SALES DRAWING
	DESCRIPTION	DRAFT WHERE APPLICABLE MUST REMAIN WITHIN DIMENSIONS	MATERIAL NO.	MATERIAL NO.		DOCUMENT NO.	SHEET NO.
		SEE SHEET 4&5	SD-91525-004	SD-91525-004		SD-91525-004	5 OF 5

THIS DRAWING CONTAINS INFORMATION THAT IS PROPRIETARY TO MOLEX INCORPORATED AND SHOULD NOT BE USED WITHOUT WRITTEN PERMISSION