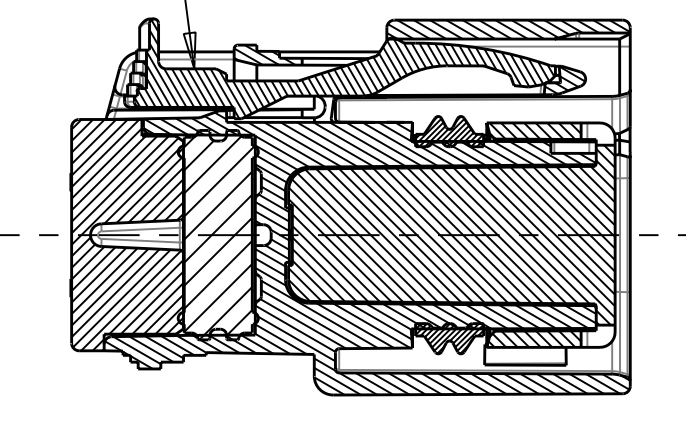
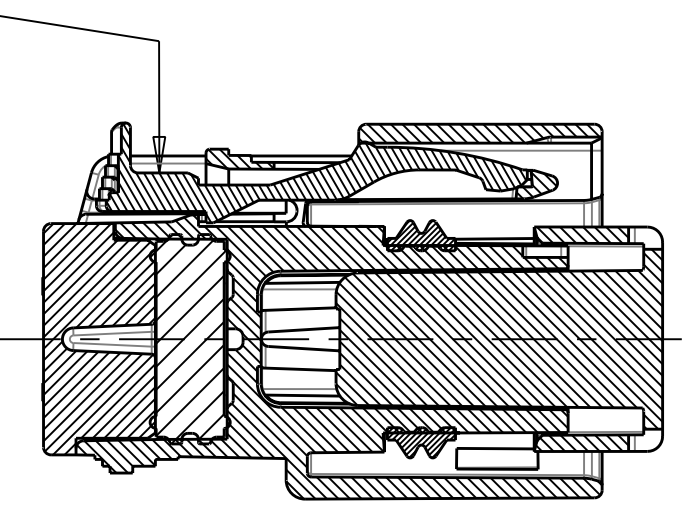
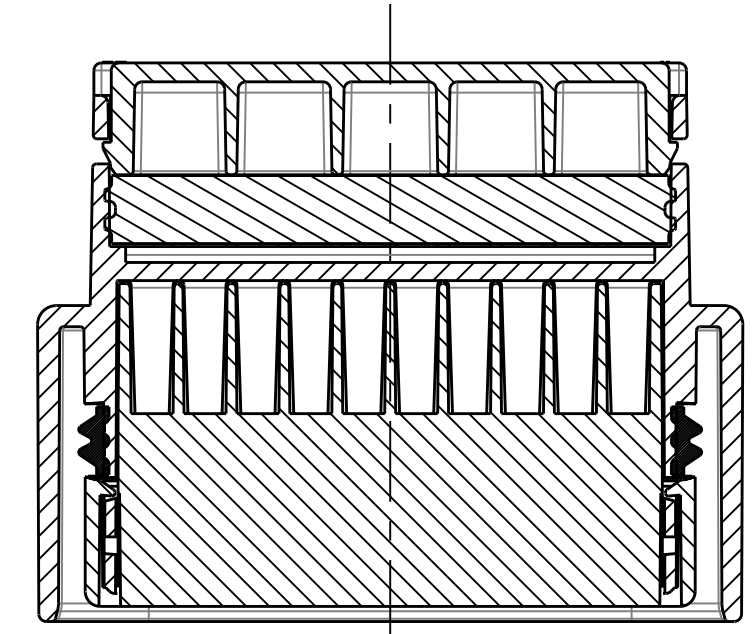


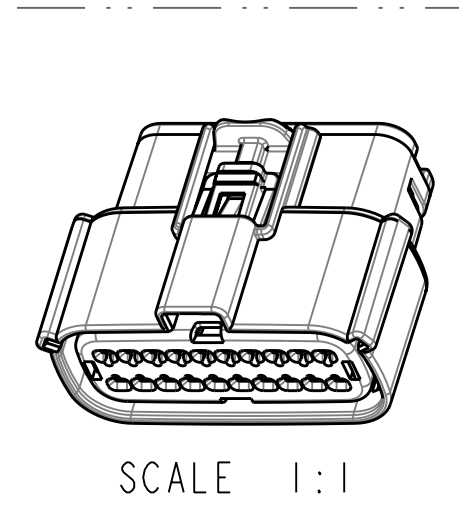
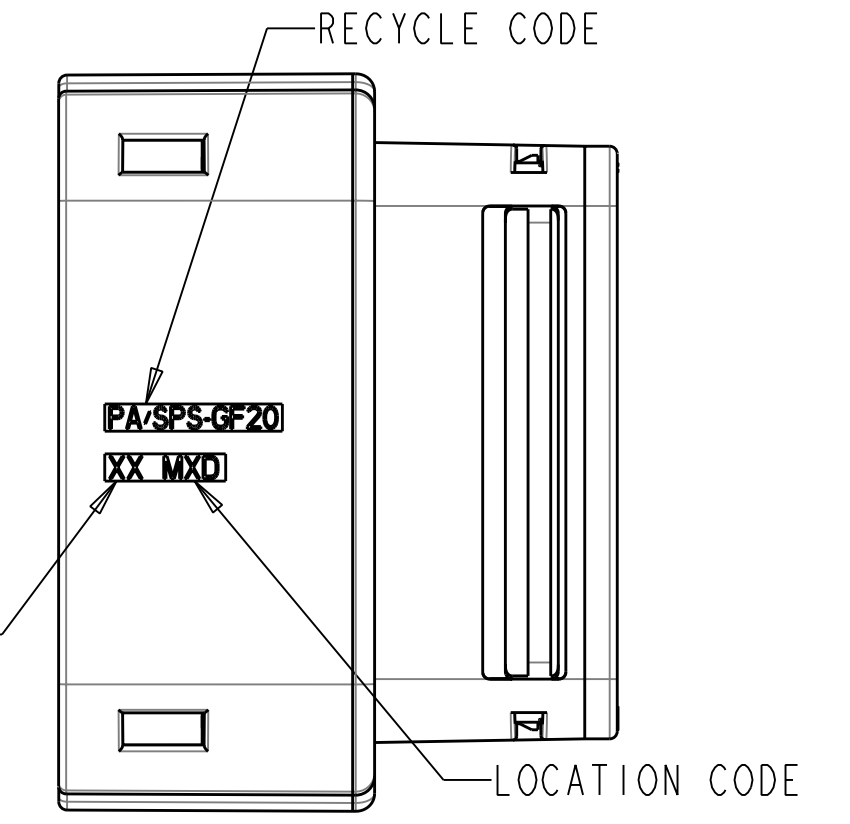
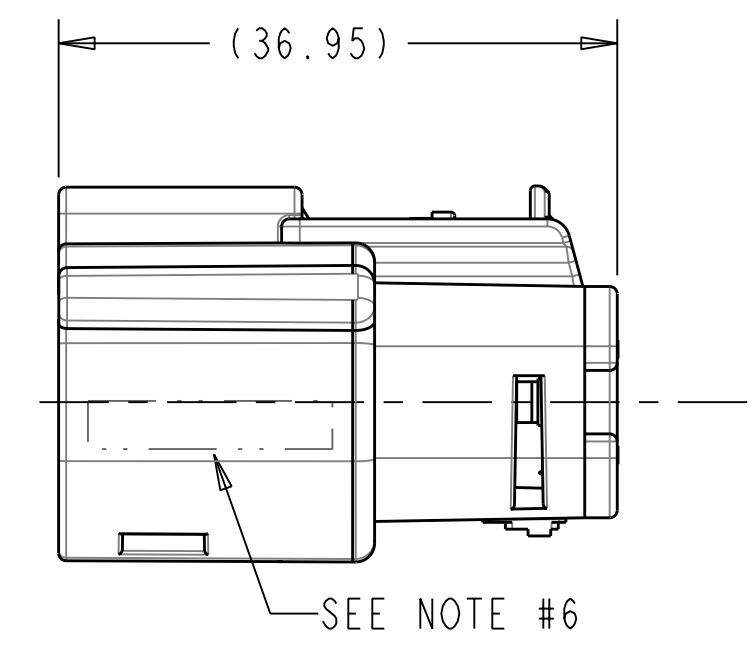
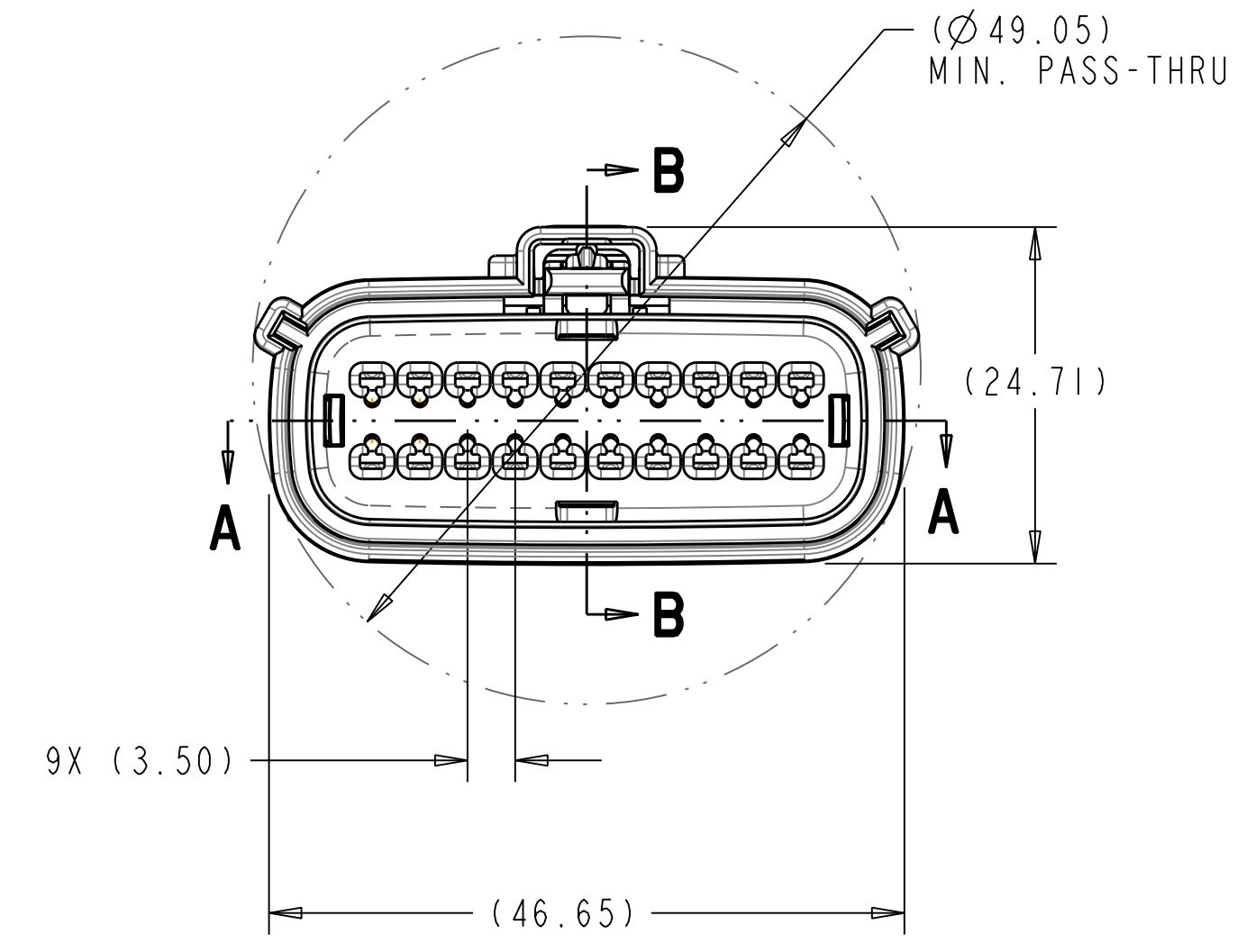
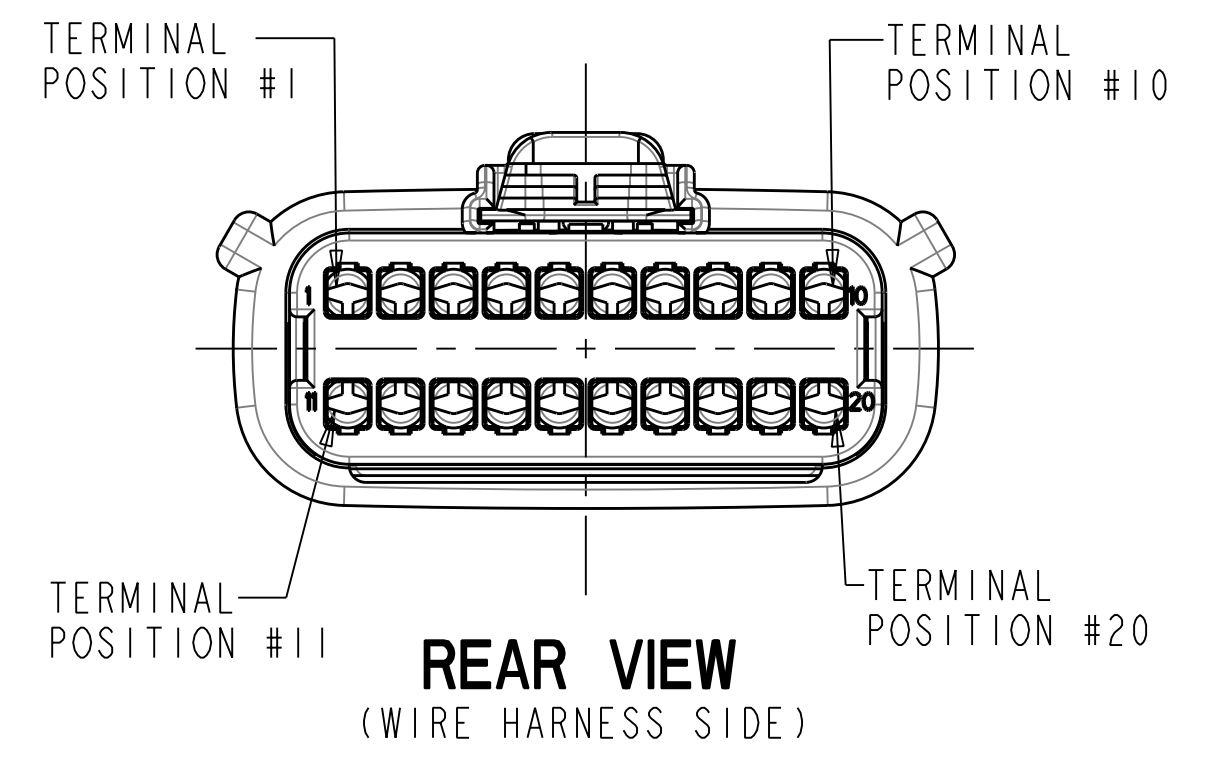
- NOTES: UNLESS OTHERWISE SPECIFIED
- DESIGNED TO MATE WITH BLADE HOUSING ASSEMBLY SPECIFIED IN MOLEX CHARTED DRAWING E-33482-201 OR DEVICE CONNECTION AS SPECIFIED IN DRAWING E-33582-201.
  - ASSEMBLY SHIPPED WITH RECEPTACLE INSERT IN PRE-LOCK POSITION (SEE SECTION B-B PRE-LOCK). UPON FULL TERMINAL ASSEMBLY, EACH RECEPTACLE INSERT MUST BE SNAPPED INTO ITS FINAL-LOCK POSITION.
  - FOR RECEPTACLE TERMINALS TO BE USED WITH THIS ASSEMBLY, SEE DRAWING E-33012-001.
  - SYSTEM TO BE USED WITH WIRE WITHIN Ø RANGE OF 1.2mm TO 2.4mm.
  - OPTIONAL CPA SHOWN IN ALL VIEWS. SEE TABLES FOR SPECIFIC ASSEMBLY OPTION AND NUMBER. CPA MUST BE INSERTED TO THE PRE-LOCK POSITION, AS SHOWN IN SECTION B-B. WHEN CORRECTLY SEATED THE CPA DOES NOT MOVE, FREELY.
  - ASSEMBLY NUMBER AND DATE CODE THIS AREA.
  - REFER TO SHEET #2 OF THIS DRAWING FOR ALL PART NUMBER CONFIGURATIONS.
  - TPA FORCES:
    - ENGAGEMENT FORCE- NO TERMINALS (PRE TO FINAL): 15N MIN.
    - ENGAGEMENT FORCE- WITH TERMINALS (PRE TO FINAL): 60N MAX.
    - DISENGAGEMENT FORCE- WITH TERMINALS (FINAL TO PRE): 18N MIN. 60N MAX.
    - PARTIALLY INSTALLED TERMINAL DETECTION - 80N MIN OR 40N GREATER THAN (b) WHICHEVER IS GREATER.
    - REMOVAL FORCE - WITH TERMINALS (FINAL TO OUT OF CONNECTOR): 25N MIN.
  - ENGAGEMENT FORCE TO MOVE CPA FROM PRE-SET TO FINAL POSITION IN (FULLY MATED CONNECTOR): 15N MAX.
  - DISENGAGEMENT FORCE TO MOVE CPA FROM FINAL TO PRE-SET POSITION IN (FULLY MATED CONNECTOR): 30N MAX.



CPA TO BE INSTALLED IN PRE-LOCK POSITION AS SHOWN IN BOTH VIEWS, SEE NOTE #5



SECTION A-A



EC NO.: 2003102 DRWN: D.GRIFFITHS 06-17-03 CHK: D.GRIFFITHS 06-17-03 APPR: D.GRIFFITHS 06-17-03	QUALITY SYMBOLS =0 =0	GENERAL TOLERANCES (UNLESS SPECIFIED)		SCALE 2:1	DESIGN UNITS mm	THIRD ANGLE PROJECTION	REVISE ON CAD ONLY		
		mm	INCH	DIMENSION STYLE mm		TITLE MX150 RECEPTACLE CONNECTOR ASSEMBLY 2 ROW SEALED, 20 WAY			
A	DESCRIPTION	4 PLACES	± --	± --	DRAWN BY D.GRIFFITHS	DATE 06-17-03	MATERIAL NO. -		
		3 PLACES	± --	± --	CHECKED BY D.GRIFFITHS	DATE 06-17-03	DOCUMENT NO. SD-33472-201		
		2 PLACES	± 0.10	± --	APPROVED BY D.GRIFFITHS	DATE 06-17-03	SHEET NO. 1 OF 2		
		1 PLACE	± 0.3	± --	THIS DRAWING CONTAINS INFORMATION THAT IS PROPRIETARY TO MOLEX INCORPORATED AND SHOULD NOT BE USED WITHOUT WRITTEN PERMISSION				
		ANGULAR		± 3°					

