

599-347

GP BATTERY PACK

M207

Technical Data for Cellular Phone Battery Pack NiCd

Specifications :

Model No	:	M207
Battery Type	:	Nickel Cadmium
For use with	:	MOTOROLA MicroTac
Color	:	Black (B)/ Dark Grey (DG)/ Light Grey (LG)/ Steel Grey (SG)/ Blue Grey (BG)/ Blue (BL)
Battery	:	5 x GP4S
Nominal Voltage	:	6.0V
Cut Off Voltage	:	5.0V
Capacity	:	400 mAh at 0.2C
Continuous Talk Time *	:	50 minutes (estimated)
Stand-by Time *	:	8 hours (estimated)
Temperature Range	:	Charge : 0 ~ 45°C Discharge : -20 ~ 50°C Storage : -20 ~ 50°C
Casing Material	:	PC
Typical Weight	:	110g
Charging	:	Batteries should be charged in a GP or an Original Manufacturer charger. First charge rate : 0.1C Subsequent charge rate : 0.1C ~ 1C
Safety	:	• Each battery is equipped with a polyswitch and thermistor to protect battery from high temperature and/ or short circuit. Each cell is also equipped with a safety vent system in case abuses occur.
Warranty	:	Six (6) months limited warranty from date of purchase

* * * data valid only when the battery pack is on fully charged condition.
MOTOROLA MicroTac is a registered trademark of MOTOROLA INC.



A product of the Gold Peak Industries Group

SYLVA PRODUCT SPEC. : RWIS9705 R1

Manufacturer reserves the right to alter or amend the design, model and specification without prior notice

2/95



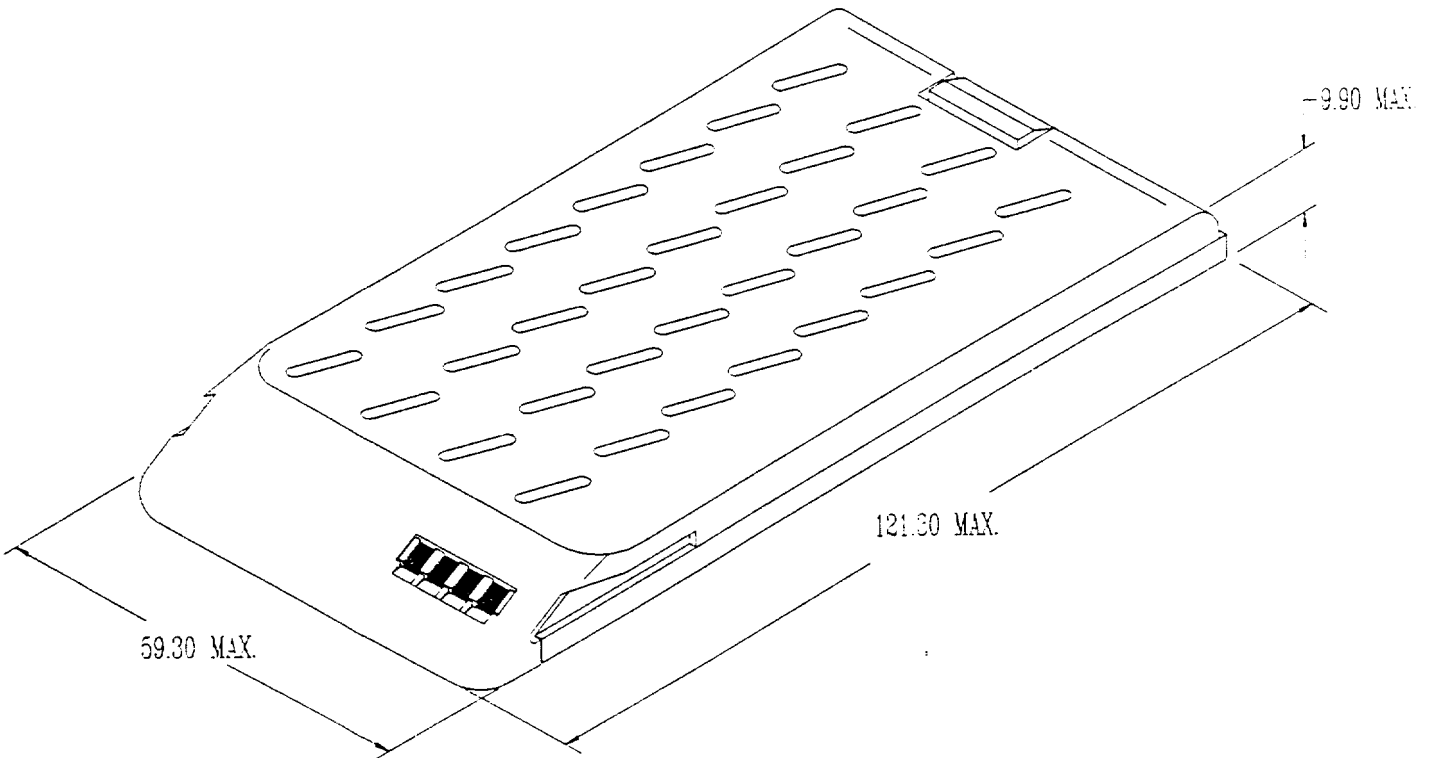
BATTERY PACK

M207

Technical Data for Cellular Phone Battery Pack

NiCd

MECHANICAL DRAWING :



A product of the Gold Peak Industries Group

SYLVA PRODUCT SPEC : RWIS9705R1

Manufacturer reserves the right to alter or amend the design, model and specification without prior notice.

2/95

PAGE 3 OF 4



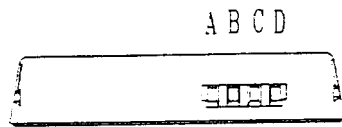
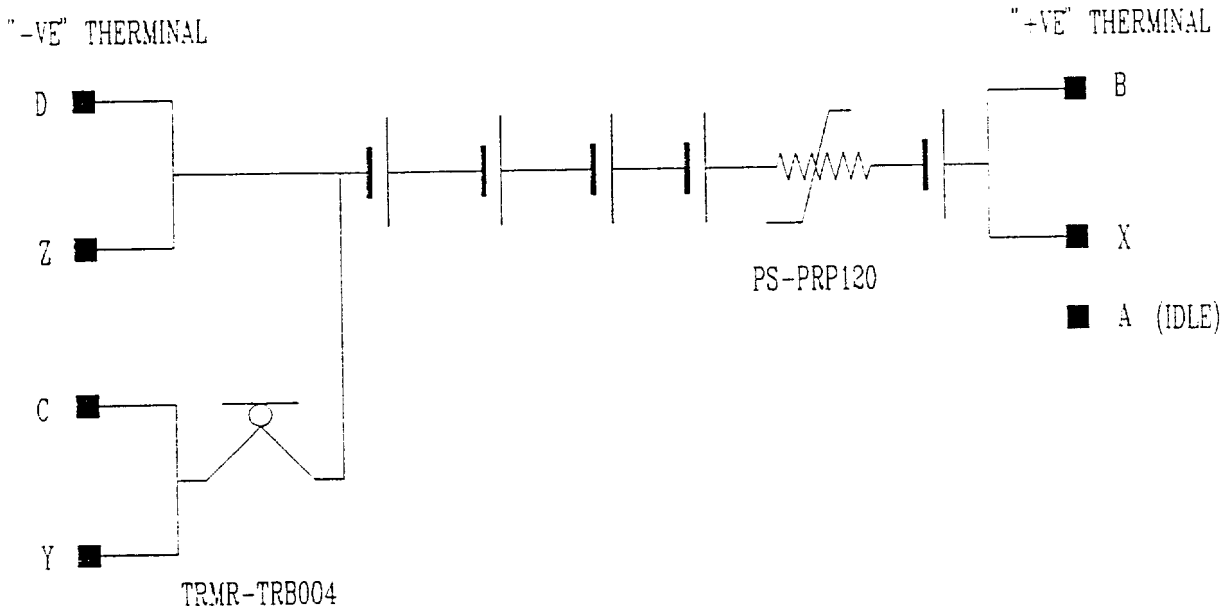
BATTERY PACK

M207

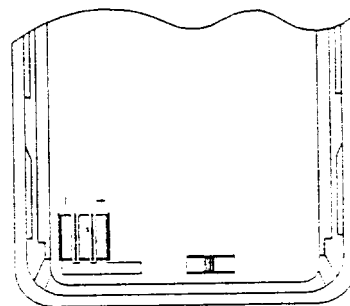
Technical Data for Cellular Phone Battery Pack

NiCd

SCHEMATIC DIAGRAM :



CHARGING PORTION



DISCHARGING PORTION

CHECK POINT		SPECIFICATION
OCV	(B-D), (X-Z)	OUTGOING OCV PER PACK AT LEAST > 4.0V d.c.
NO OCV	(A-D)	NO OCV WHEN CONNECT MULTIMETER "+ VE" AND "-VE" TERMINALS ON THE POINT (A-D).
THERMISTOR	(C-D), (Y-Z)	THE VALUE OF THERMISTOR BETWEEN (8.25K TO 13.7K) ohm AT 20 - 27 DEGREES.



A product of the Gold Peak Industries Group

SYLVA PRODUCT SPEC : RWIS9705R1

Manufacturer reserves the right to alter or amend the design, model and specification without prior notice.

2/95

PAGE 4 OF 4