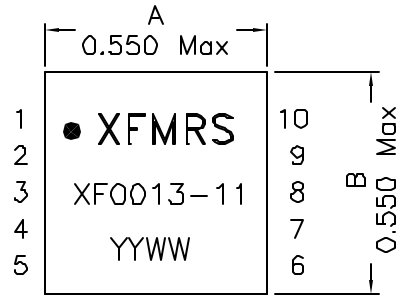
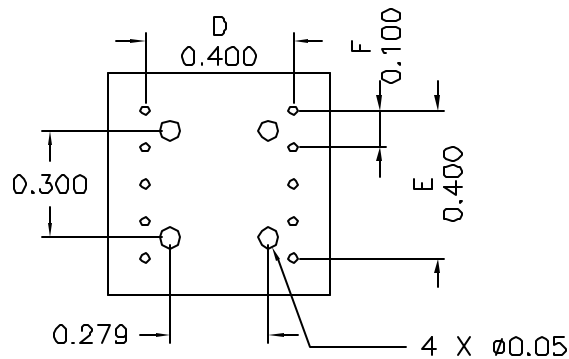
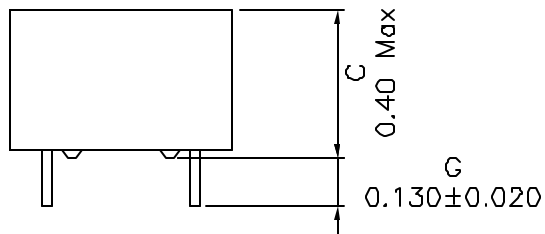


### 1. Dimensions:



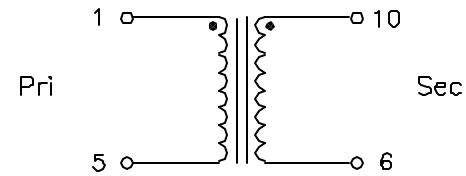
DOT INDICATES PIN 1



(BOTTOM VIEW)

Leads are 22 AWG solderable

### 2. Schematic:



### 3. Electrical Specifications: @25°C

Isolation: 3000 Vrms (PRI to SEC)

Turns Ratio: 1:1±5% (PIN1-5:PIN10-6)

OCL: Pins 1-5 1.2mH Minimum @100KHz 50mVm

Cw/w: 20pF Maximum @100KHz 50mV (PRI/SEC)

Leakage L: Pins 1-5 0.5uH Maximum @100KHz 50mV  
PIN10-6 Shorted

PRI DCR: 0.50 Ohms Maximum

SEC DCR: 0.50 Ohms Maximum

Notes:

1. Solderability: Leads shall meet MIL-STD-202G, Method 208H for solderability.
2. Flammability: UL94V-0
3. ASTM oxygen index: > 28%
4. Insulation System: Class F 155°C. UL file E151556
5. Operating Temperature Range: All listed parameters are to be within tolerance from -40°C to +85°C
6. Storage Temperature Range: -55°C to +125°C
7. Aqueous wash compatible
8. Electrical and mechanical specifications 100% tested
9. RoHS Compliant Component

DOC. REV: B/3

<b>XFMRS Inc.</b> <a href="http://www.XFMRS.com">www.XFMRS.com</a>	Title: T1/CEPT/ISDN-PRI TRANSFORMER		
	UNLESS OTHERWISE SPECIFIED TOLERANCES: .xxx ±0.010 Dimensions in Inch SCALE 2.5:1 SHT 1 OF 1	P/N: XF0013-11 DWN. CHK. APP.	REV. B 李小锋 康玉坤 BW