

TOSHIBA Photocoupler GaAs Ired & Photo-Transistor

TLP733F, TLP734F

Office Machine

Switching Power Supply

The TOSHIBA TLP733F and TLP734F consists of a photo-transistor optically coupled to a gallium arsenide infrared emitting diode in a six lead plastic DIP.

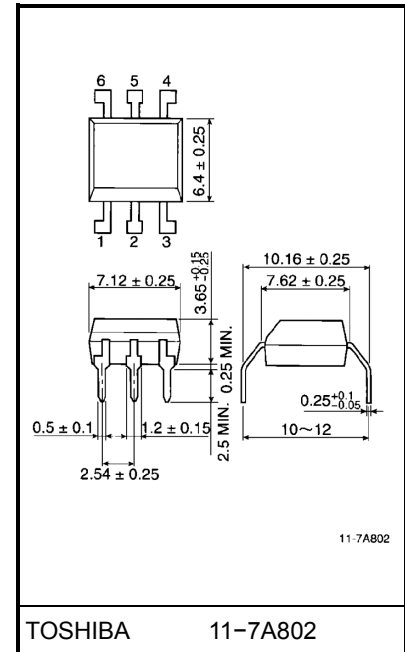
All parameters are tested to the specification of TLP733 and TLP734. (both condition and limits)

- Collector-emitter voltage: 55 V (min.)
- Current transfer ratio: 50% (min.)
Rank GB: 100% (min.)
- UL recognized: UL1577, file no. E67349
- BSI approved: BS EN60065: 1994
Certificate no. 7364
BS EN60950: 1992
Certificate no. 7365
- SEMKO approved: SS4330784
Certificate no. 9325163, 9522142
- Isolation voltage: 4000 Vrms (min.)
- Option (D4) type
VDE approved: DIN VDE0884 / 06.92,
Certificate no. 74286, 91808
Maximum operating insulation voltage: 890, 1130 VPK
Highest permissible over voltage: 6000, 8000 VPK

(Note) When a VDE0884 approved type is needed, please designate the " Option (D4) "

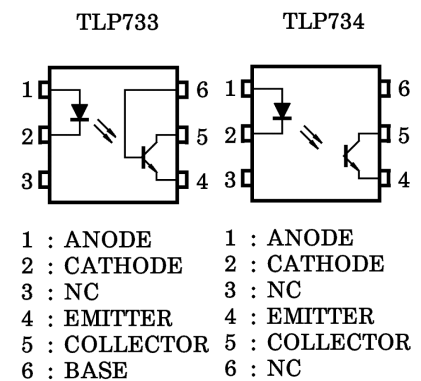
- Creepage distance: 8.0mm (min.)
Clearance: 8.0mm (min.)
Internal creepage path: 4.0mm (min.)
Insulation thickness: 0.5mm (min.)
- Conforming safety standards:
DIN 57 804. VDE0804 / 1.83
DIN IEC65 / VDE0860 / 8.81
DIN IEC380 / VDE0806 / 8.81
DIN IEC435 / VDE0805 / draft nov. 84
DIN IEC601T1 / VDE0750T1 / 5.82
BS7002: 1989 (EN60950)

Unit in mm



Weight: 0.42 g

Pin Configurations (top view)



RESTRICTIONS ON PRODUCT USE

000707EBC

- TOSHIBA is continually working to improve the quality and reliability of its products. Nevertheless, semiconductor devices in general can malfunction or fail due to their inherent electrical sensitivity and vulnerability to physical stress. It is the responsibility of the buyer, when utilizing TOSHIBA products, to comply with the standards of safety in making a safe design for the entire system, and to avoid situations in which a malfunction or failure of such TOSHIBA products could cause loss of human life, bodily injury or damage to property.
In developing your designs, please ensure that TOSHIBA products are used within specified operating ranges as set forth in the most recent TOSHIBA products specifications. Also, please keep in mind the precautions and conditions set forth in the "Handling Guide for Semiconductor Devices," or "TOSHIBA Semiconductor Reliability Handbook" etc..
- The TOSHIBA products listed in this document are intended for usage in general electronics applications (computer, personal equipment, office equipment, measuring equipment, industrial robotics, domestic appliances, etc.). These TOSHIBA products are neither intended nor warranted for usage in equipment that requires extraordinarily high quality and/or reliability or a malfunction or failure of which may cause loss of human life or bodily injury ("Unintended Usage"). Unintended Usage include atomic energy control instruments, airplane or spaceship instruments, transportation instruments, traffic signal instruments, combustion control instruments, medical instruments, all types of safety devices, etc.. Unintended Usage of TOSHIBA products listed in this document shall be made at the customer's own risk.
- Gallium arsenide (GaAs) is a substance used in the products described in this document. GaAs dust and fumes are toxic. Do not break, cut or pulverize the product, or use chemicals to dissolve them. When disposing of the products, follow the appropriate regulations. Do not dispose of the products with other industrial waste or with domestic garbage.
- The products described in this document are subject to the foreign exchange and foreign trade laws.
- The information contained herein is presented only as a guide for the applications of our products. No responsibility is assumed by TOSHIBA CORPORATION for any infringements of intellectual property or other rights of the third parties which may result from its use. No license is granted by implication or otherwise under any intellectual property or other rights of TOSHIBA CORPORATION or others.
- The information contained herein is subject to change without notice.