



SEMITOP® 2

1-phase bridge rectifier with one diode arm and one thyristor arm
SK 35 BZ

Target Data

Features

- Compact design
- One screw mounting
- Heat transfer and isolation through direct copper bonded aluminium oxide ceramic (DBC)
- Glass passivated thyristor chips
- Reverse voltage up to 1600 V
- High surge currents

Typical Applications*

- Field regulator

1) V_F , V_T , $V_{T(TO)}$, $V_{T(TO)}$, r_{diode} , r_{thy} = chip level value

V_{RSM} V	V_{RRM} , V_{DRM} V	$I_F = 35$ A ($T_s = 80$ °C)
900	800	SK35BZ08
1300	1200	SK35BZ12
1700	1600	SK35BZ16

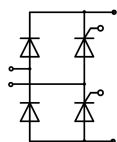
Characteristics $T_s = 25$ °C unless otherwise specified

Symbol	Conditions	Values	Units
I_F	$T_s = 80$ °C per diode	35	A
I_T	$T_s = 80$ °C per thyristor	25	A
I_{FAV}	sin. 180°; $T_s = 25$ (80) °C per diode	35 (25)	A
I_{TSM}/I_{FSM}	$T_{vj} = 25$ (125) °C; 10 ms	370 (270)	A
I^2t	$T_{vj} = 25$ (125) °C; 8,3 ... 10 ms	685 (365)	A²s
T_{stg}		-40,...+125	°C
T_{solder}	terminals, 10 s	260	°C

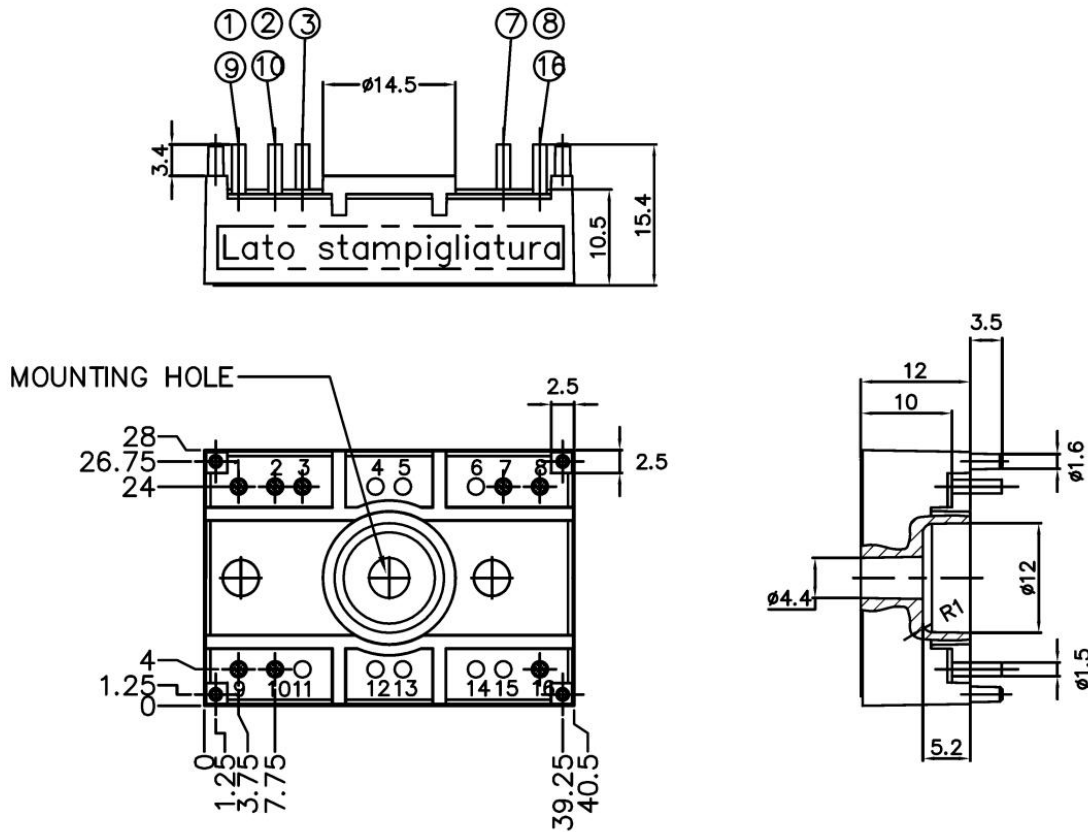
Thyristor			
$(dv/dt)_{cr}$	$T_{vj} = 125$ °C	1000	V/μs
$(di/dt)_{cr}$	$T_{vj} = 125$ °C; $f = 50 \dots 60$ Hz	50	A/μs
t_q	$T_{vj} = 125$ °C; typ.	150	μs
I_H	$T_{vj} = 25$ °C; typ. / max.	80 / 165	mA
I_L	$T_{vj} = 25$ °C; $R_G = 33$ Ω; typ. / max.	150 / 330	mA
V_T	$T_{vj} = 125$ °C; ($I_T = 25$ A); max.	1,2	V
$V_{T(TO)}$	$T_{vj} = 125$ °C	max. 0,85	V
r_T	$T_{vj} = 125$ °C	max. 14	mΩ
I_{DD} ; I_{RD}	$T_{vj} = 125$ °C; $V_{DD} = V_{DRM}$; $V_{RD} = V_{RRM}$	max. 8	mA
$R_{th(j-s)}$	Cont. per thyristor	1,7	K/W
T_{vj}		- 40 ... + 125	°C
V_{GT}	$T_{vj} = 25$ °C; d.c.	2	V
I_{GT}	$T_{vj} = 25$ °C; d.c.	100	mA
V_{GD}	$T_{vj} = 125$ °C; d.c.	0,25	V
I_{GD}	$T_{vj} = 125$ °C; d.c.	3	mA

Diode			
V_F	$T_{vj} = 125$ °C; ($I_F = 15$ A); max.	1,1	V
$V_{T(TO)}$	$T_{vj} = 125$ °C	0,83	V
r_T	$T_{vj} = 125$ °C	13	mΩ
I_{RD}	$T_{vj} = 150$ °C; $V_{RD} = V_{RRM}$	4	mA
$R_{th(j-s)}$	per diode	1,7	K/W
T_{vj}		-40...+150	°C

Mechanical data			
V_{isol}	a. c. 50 Hz; r.m.s.; 1 s / 1 min	3000 (2500)	V
M_1	mounting torque	2	Nm
w		19	g
Case	SEMITOP® 2	T 91	

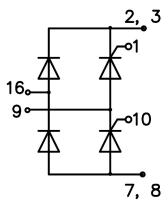


BZ



SUGGESTED HOLEDIAMETER FOR THE SOLDER PINS AND THE MOUNTING PINS IN THE PCB: 2 mm

Case T91 (Suggested hole diameter, in the PCB, for solder pins and plastic mounting pins: 2mm)



BZ

This is an electrostatic discharge sensitive device (ESDS), international standard IEC 60747-1, Chapter IX.

* The specifications of our components may not be considered as an assurance of component characteristics. Components have to be tested for the respective application. Adjustments may be necessary. The use of SEMIKRON products in life support appliances and systems is subject to prior specification and written approval by SEMIKRON. We therefore strongly recommend prior consultation of our personal.