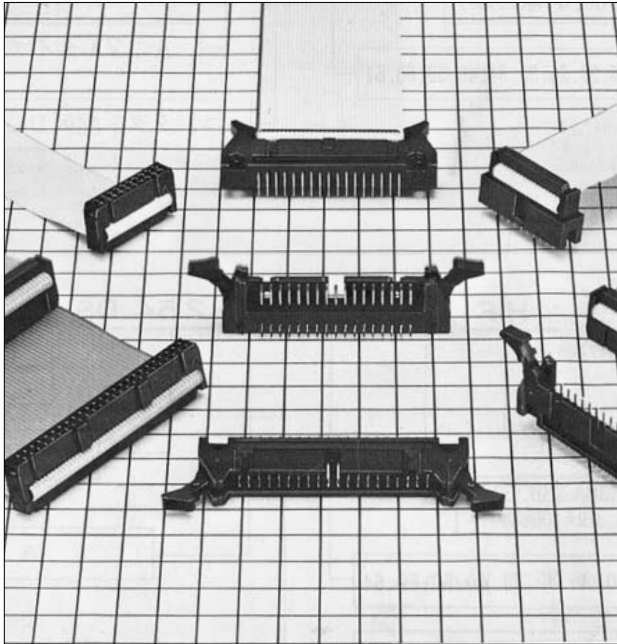


Ribbon Cable connector Compliant with MIL Standard

HIF3B Series



■ Features

1. Product Compliant with MIL Standard

HIF3B series has been developed as a product compliant with MIL standard, and used for wide applications.

2. UL Approval Product

HIF3B series connectors are UL approved.

3. Mechanism to Prevent Mis-insertion

This connector is equipped with the mechanism to prevent Mis-insertion as follows.

- ① The system provides the convex area to insert the guide-key on the pin header side, and to guide it in combination with the socket convex area (MIL standard).
- ② The system embeds and guides the polarizing key in the socket holes.

4. Applicable Cable AWG#28

The applicable cable is UL2651 AWG#28 flat cable (7 cores./ 0.127mm, jacket dia. 0.9±0.1mm).

■ Product Specifications

Rating	Rated Current : 1A	Operating Temperature Range : -55~+85°C (Note 1)	Storage Temperature Range : -10~+60°C (Note 2)
	Rated Voltage : 200V AC	Operating Moisture Range : 40~80%	Storage Humidity Range : 40~70% (Note 2)

Item	Specification	Condition
1. Insulation Resistance	1000MΩ min.	Measured at 500V DC
2. Withstand voltage	Neither short or breakdown	650V AC rms for 1 minute
3. Contact Resistance	15mΩ max.	Measured at 0.1A
4. Vibration	Electrical discontinuity, 1μS max.	10~55Hz and single amplitude 0.75mm in 3 directions for 2 hours
5. Moisture Resistance	Insulation resistance: 1000MΩ min.	Exposed to temperature 40±2°C and humidity 90~95% for 96 hours
6. Temperature Cycle	No defect such as crack or split occurs	(-65°C: 30 minutes → 15~35°C: 5 minutes max. 125°C: 30 minutes → 15~35°C: 5 minutes max.) 5 cycles
7. Operating Life	Contact resistance: 15mΩ max.	500 cycles
8. Resistance to Soldering heat	No resin area fusion to degrade performance	Automatic soldering: 260°C for 10 seconds
		Manual soldering: Soldering iron temperature: 300°C for 3 seconds

Note 1: Temperature rise is included when energized.

Note 2: This storage indicates a long-term storage state for the unused product before the board mounted.

The operating temperature and moisture ranges are applied to the non-energized state after the connector has been installed to the board.

Note 3: The above standards represent this series. Individual formal agreement should be based on the "Delivery Specification".

■ Material

Part	Material		Finish		Remarks
Insulator	PBT		Black		UL94V-0
Socket Contact	D	Beryllium copper	Connection area	Gold plating	_____
			Connection area	Gold plating	
	DA	Copper alloy	Connection area	Gold plating	
			Connection area	Solder plating	
Pin header contact	Brass		Selective gold plating		_____

■ Ordering Information

Please determine the specific product. If needed, select and order the product from the product No. as listed on catalog pages B17~B32.

● Socket

HIF **3B** - ✖ **D** **A** - **2.54** **R**
q w e r t y u

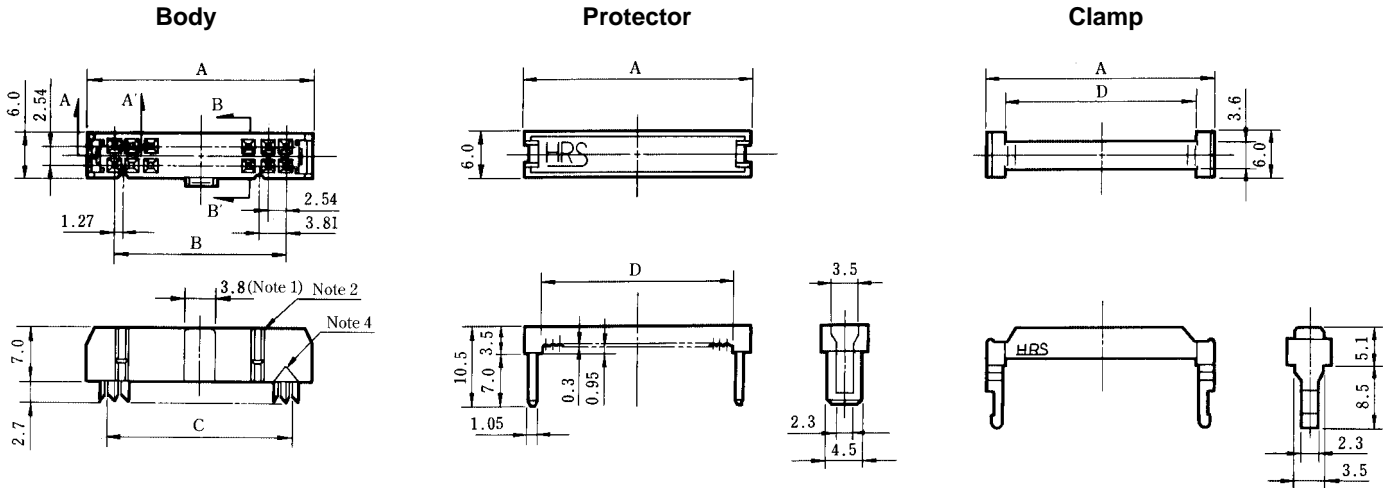
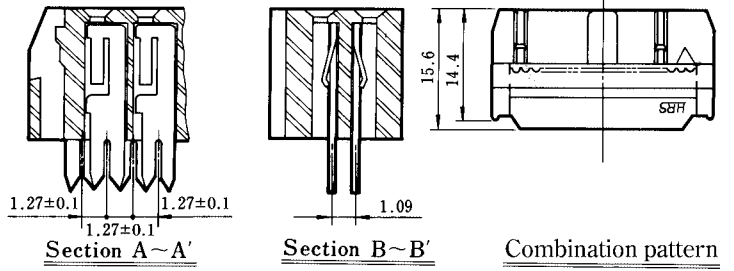
q Series Name	: HIF
w Series No.	: 3B, 3BA, 3BB (50, 60, 64 contacts only)
e Number of contacts	: 16, 20, 26, 30, 34, 40, 50, 60, 64
r Contact alignment	: D : Double
t A	: VA type
y Contact pitch	: 2.54mm
u Connection type	R : ID type

● Pin Header

HIF **3B** - ✖ **P** **A** - **2.54** **DS**
q w e r t y u

q Series Name	: HIF
w Series No.	: 3B : (14 contacts not included) 3BC: (10 contacts only) 3BA, 3BB: (50, 60, 64 contacts only) 3BD: (10 contacts only)
e Number of contacts	: 16, 20, 26, 30, 34, 40, 50, 60, 64
r P	: Pin header
t A	: Selective gold plating
y Contact pitch	: 2.54mm
u Contact style	DS : Right angle type DSA : Straight type

■Socket (With guide to prevent mis-insertion)



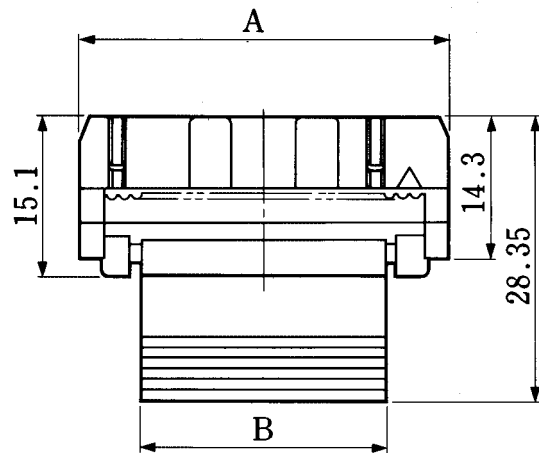
Note1, Note2: The number of polarizing keys and polarizing keyways changes according to products. Refer to the list as shown below.
 Note3: The 50, 60 and 64 contact connector contain two types of polarizing guides. Use the products, referring to Notes 1 and 2.
 Note4: The 6 contact has no polarizing mark.

Unit:mm

Product No.	HRS No.	Product No.	HRS No.	Number of Contacts	A	B	C	D	Polarizing Guide (Note 1)	Polarizing Keyway (Note 2)
HIF3BA- 6D-2.54R	CL610-0032-3	—————	—————	6	12.19	5.08	6.35	7.72	One at center	None
HIF3BA-10D-2.54R	CL610-0021-7	HIF3BA-10DA-2.54R	CL610-0651-5	10	17.27	10.16	11.43	12.8		One on left side
★ HIF3BA-14D-2.54R	CL610-0022-0	HIF3BA-14DA-2.54R	CL610-0652-8	14	22.35	15.24	16.51	17.88		One on right and left sides, resp.
★ HIF3BA-16D-2.54R	CL610-0023-2	HIF3BA-16DA-2.54R	CL610-0653-0	16	24.89	17.78	19.05	20.42		
★ HIF3BA-20D-2.54R	CL610-0024-5	HIF3BA-20DA-2.54R	CL610-0654-3	20	29.97	22.86	24.13	25.5		
★ HIF3BA-26D-2.54R	CL610-0025-8	HIF3BA-26DA-2.54R	CL610-0655-6	26	37.59	30.48	31.75	33.12		
★ HIF3BA-30D-2.54R	CL610-0026-0	HIF3BA-30DA-2.54R	CL610-0656-9	30	42.67	35.56	36.83	38.2		
★ HIF3BA-34D-2.54R	CL610-0027-3	HIF3BA-34DA-2.54R	CL610-0657-1	34	47.75	40.64	41.91	43.28	One on right and left sides, resp.	
★ HIF3BA-40D-2.54R	CL610-0028-6	HIF3BA-40DA-2.54R	CL610-0658-4	40	55.37	48.26	49.53	50.9		
★ HIF3BA-50D-2.54R	CL610-0029-9	HIF3BA-50DA-2.54R	CL610-0659-7	50	68.07	60.96	62.23	63.6	One at center	
★ HIF3BB-50D-2.54R	CL610-0041-4	HIF3BB-50DA-2.54R	CL610-0671-2	50	68.07	60.96	62.23	63.6	One on right and left sides, resp.	
★ HIF3BA-60D-2.54R	CL610-0030-8	HIF3BA-60DA-2.54R	CL610-0660-6	60	80.77	73.66	74.93	76.3	One at center	
★ HIF3BB-60D-2.54R	CL610-0042-7	HIF3BB-60DA-2.54R	CL610-0672-5	60	80.77	73.66	74.93	76.3	One on right and left sides, resp.	
★ HIF3BA-64D-2.54R	CL610-0031-0	HIF3BA-64DA-2.54R	CL610-0661-9	64	85.85	78.74	80.01	81.38	One at center	
★ HIF3BB-64D-2.54R	CL610-0043-0	HIF3BB-64DA-2.54R	CL610-0673-8	64	85.85	78.74	80.01	81.38	One on right and left sides, resp.	

The products marked with ★ comply with MIL standard.

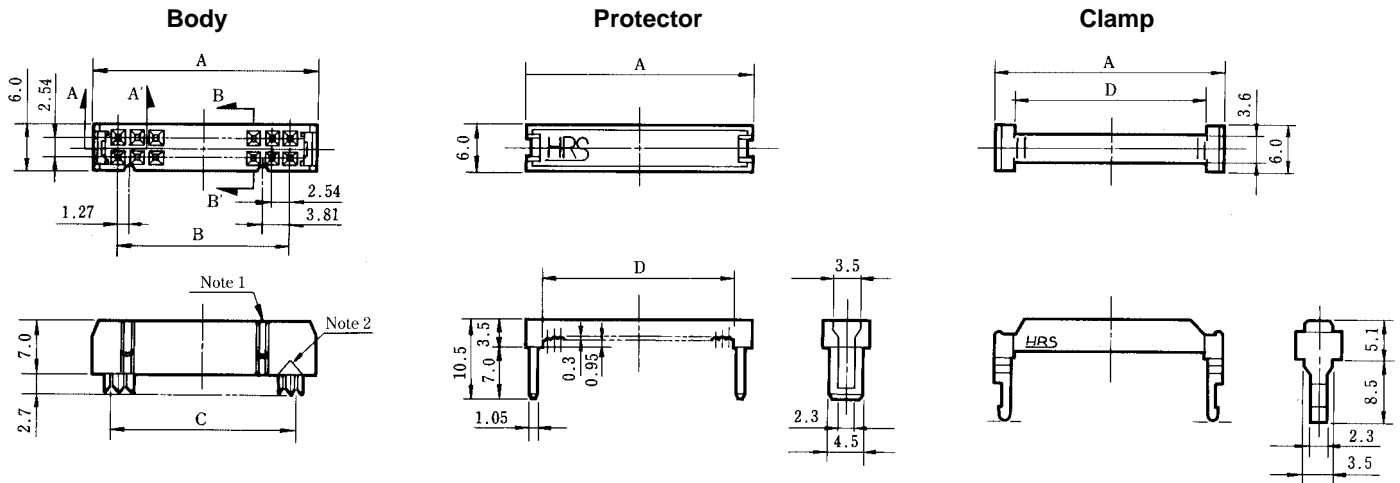
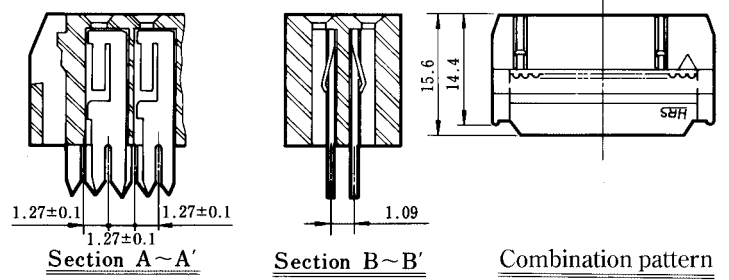
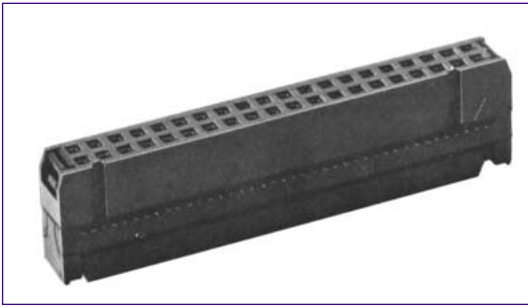
■Socket with Withdrawal Tab



Unit : mm

Product No.	HRS No.	Number of Contacts	A	B
HIF3BA-10D-2.54R-CL	CL610-0190-4	10	17.27	5.3
HIF3BA-16D-2.54R-CL	CL610-0192-0	16	24.89	12.9
HIF3BA-20D-2.54R-CL	CL610-0193-2	20	29.97	18.0
HIF3BA-26D-2.54R-CL	CL610-0194-5	26	37.59	25.5
HIF3BA-30D-2.54R-CL	CL610-0195-8	30	42.67	30.5
HIF3BA-34D-2.54R-CL	CL610-0196-0	34	47.75	35.8
HIF3BA-40D-2.54R-CL	CL610-0197-3	40	55.37	43.4
HIF3BA-50D-2.54R-CL	CL610-0198-6	50	68.07	56.0
HIF3BB-50D-2.54R-CL	CL610-0201-9			
HIF3BA-60D-2.54R-CL	CL610-0199-9	60	80.77	68.5
HIF3BB-60D-2.54R-CL	CL610-0202-1			
HIF3BA-64D-2.54R-CL	CL610-0200-6	64	85.85	73.8
HIF3BB-64D-2.54R-CL	CL610-0203-4			

Socket



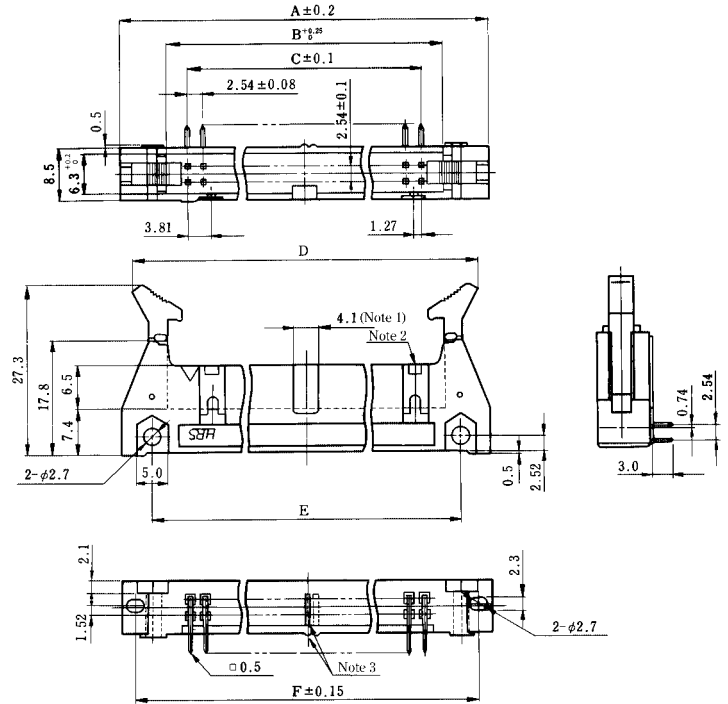
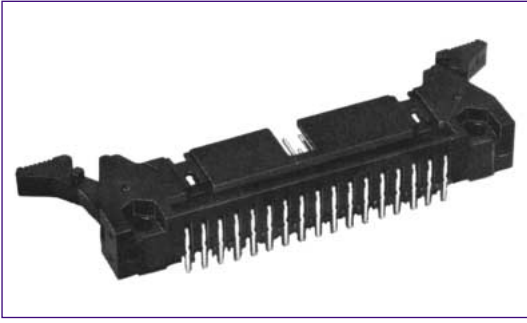
Note1: The number of polarizing keys and polarizing keyways changes according to products. For details, refer to the list as shown below.
 Note2: The 6 contact has no polarizing mark.

Unit:mm

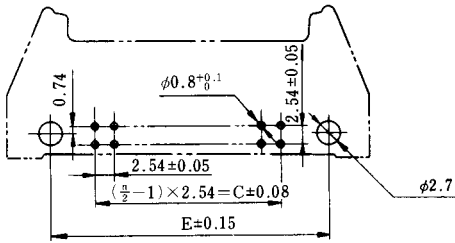
Product No.	HRS No.	Number of Contacts	A	B	C	D	Polarizing Guide (Note 1)
HIF3B- 6D-2.54R	CL610-0012-6	6	12.19	5.08	6.35	7.72	None
★ HIF3B-10D-2.54R	CL610-0001-0	10	17.27	10.16	11.43	12.80	One on left side
★ HIF3B-14D-2.54R	CL610-0002-2	14	22.35	15.24	16.51	17.88	
★ HIF3B-16D-2.54R	CL610-0003-5	16	24.89	17.78	19.05	20.42	One on right and left sides, resp.
★ HIF3B-20D-2.54R	CL610-0004-8	20	29.97	22.86	24.13	25.50	
★ HIF3B-26D-2.54R	CL610-0005-0	26	37.59	30.48	31.75	33.12	
★ HIF3B-30D-2.54R	CL610-0006-3	30	42.67	35.56	36.83	38.2	
★ HIF3B-34D-2.54R	CL610-0007-6	34	47.75	40.64	41.91	43.28	
★ HIF3B-40D-2.54R	CL610-0008-9	40	55.37	48.26	49.53	50.90	
★ HIF3B-50D-2.54R	CL610-0009-1	50	68.07	60.96	62.23	63.6	
★ HIF3B-60D-2.54R	CL610-0010-0	60	80.77	73.66	74.93	76.3	
★ HIF3B-64D-2.54R	CL610-0011-3	64	85.85	78.74	80.01	81.38	

The products marked with ★ comply with MIL standard.

■ Four Wall Angle Dip



◆ PCB Footprints



■ n=number of contacts

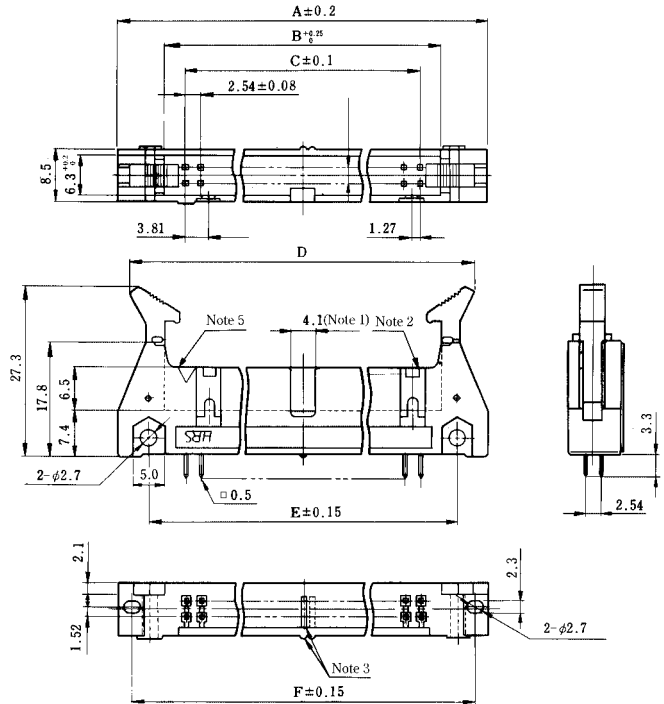
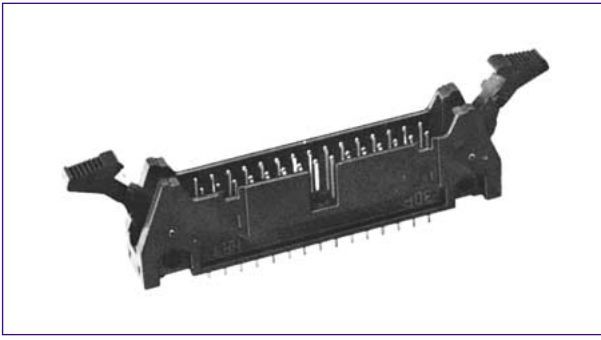
- Note 1, Note 2: The number of polarizing slot and key installed positions changes according to products. Refer to the list as shown below.
- Note 3: The spacer moves to the right according to the number of contacts.
- Note 4: The 10, 50, 60 and 64 contact connectors contain two types of polarizing slots.
Use products, referring to (Note 1) (Note 2).

Unit:mm

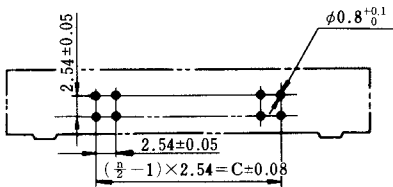
Product No.	HRS No.	Number of Contacts	A	B	C	D	E	F	Polarizing Slot (Note 1)	Polarizing Key Install (Note 2)
★ HIF3BA-10PA-2.54DS	CL610-0091-2	10	32.0	17.5	10.16	28.14 MAX51.1	21.8	27.9	None	One on right side
HIF3BD-10PA-2.54DS	CL610-0171-0	10	32.0	17.5	10.16	28.14 MAX51.1	21.8	27.9	None	None
★ HIF3BA-14PA-2.54DS	CL610-0092-5	14	37.1	22.6	15.24	33.24 MAX56.2	26.9	33.0	One at center	One on right side
★ HIF3BA-16PA-2.54DS	CL610-0093-8	16	39.6	25.1	17.78	35.74 MAX58.7	29.5	35.5	One at center	One on right and left sides, resp.
★ HIF3BA-20PA-2.54DS	CL610-0094-0	20	44.7	30.2	22.86	40.84 MAX63.8	34.5	40.6	One at center	
★ HIF3BA-26PA-2.54DS	CL610-0095-3	26	52.3	37.8	30.48	48.44 MAX71.4	42.2	48.3	One at center	
★ HIF3BA-30PA-2.54DS	CL610-0096-6	30	57.4	42.9	35.56	53.54 MAX76.5	47.2	53.3	One at center	
★ HIF3BA-34PA-2.54DS	CL610-0097-9	34	62.5	48.0	40.64	58.64 MAX81.6	52.3	58.4	One at center	
★ HIF3BA-40PA-2.54DS	CL610-0098-1	40	70.1	55.6	48.26	66.24 MAX89.2	59.9	66.0	One at center	
★ HIF3BA-50PA-2.54DS	CL610-0099-4	50	82.8	68.3	60.96	78.94 MAX101.9	72.6	78.7	One on right and left sides, resp.	
★ HIF3BB-50PA-2.54DS	CL610-0131-5	50	82.8	68.3	60.96	78.94 MAX101.9	72.6	78.7	One at center	
★ HIF3BA-60PA-2.54DS	CL610-0100-1	60	95.5	81.0	73.66	91.64 MAX114.6	85.3	91.4	One on right and left sides, resp.	
★ HIF3BB-60PA-2.54DS	CL610-0132-8	60	95.5	81.0	73.66	91.64 MAX114.6	85.3	91.4	One at center	
★ HIF3BA-64PA-2.54DS	CL610-0101-4	64	100.6	86.1	78.74	96.74 MAX119.7	90.4	96.5	One on right and left sides, resp.	
★ HIF3BB-64PA-2.54DS	CL610-0133-0	64	100.6	86.1	78.74	96.74 MAX119.7	90.4	96.5	One at center	

The products marked with ★ comply with MIL standard.

Four-Wall Straight Dip



PCB Footprints



■ n=number of contacts

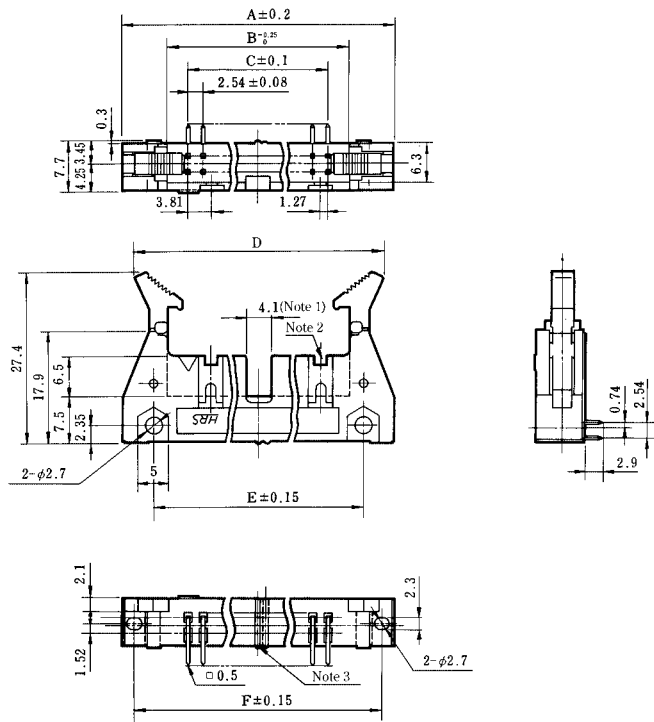
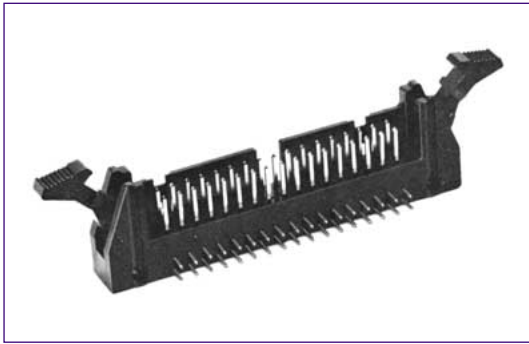
- Note 1, Note 2: The number of polarizing slot and key installed positions changes according to products. Refer to the list as shown below.
- Note 3: The spacer moves to the right according to the number of contacts.
- Note 4: The 10, 50, 60 and 64 contact connectors contain two types of polarizing slots.
Use products, confirming (Note 1) (Note 2).
- Note 5: The 6 contact has no polarity mark.

Unit:mm

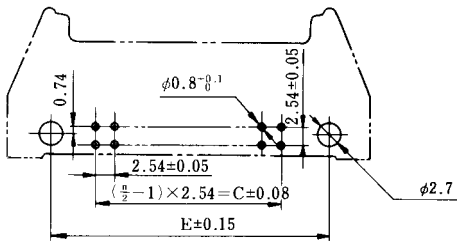
Product No.	HRS No.	Number of Contacts	A	B	C	D	E	F	Polarizing Slot (Note 1)	Polarizing Key Install (Note 2)
★ HIF3-6PA-2.54DSA	CL562-0503-9	6	26.92	12.42	5.08	23.06 MAX46.02	16.7	22.8	One at center	None
HIF3BA-10PA-2.54DSA	CL610-0111-8	10	32.0	17.5	10.16	28.14 MAX51.1	21.8	27.9	None	One on right side
★ HIF3BD-10PA-2.54DSA	CL610-0181-3	10	32.0	17.5	10.16	28.14 MAX51.1	21.8	27.9	One at center	None
★ HIF3BA-14PA-2.54DSA	CL610-0112-0	14	37.1	22.6	15.24	33.24 MAX56.2	26.9	33.0		One on right side
★ HIF3BA-16PA-2.54DSA	CL610-0113-3	16	39.6	25.1	17.78	35.74 MAX58.7	29.5	35.5		One on right and left sides, resp.
★ HIF3BA-20PA-2.54DSA	CL610-0114-6	20	44.7	30.2	22.86	40.84 MAX63.8	34.5	40.6		
★ HIF3BA-26PA-2.54DSA	CL610-0115-9	26	52.3	37.8	30.48	48.44 MAX71.4	42.2	48.3		
★ HIF3BA-30PA-2.54DSA	CL610-0116-1	30	57.4	42.9	35.56	53.54 MAX76.5	47.2	53.3		
★ HIF3BA-34PA-2.54DSA	CL610-0117-4	34	62.5	48.0	40.64	58.64 MAX81.6	52.3	58.4		
★ HIF3BA-40PA-2.54DSA	CL610-0118-7	40	70.1	55.6	48.26	66.24 MAX89.2	59.9	66.0		
★ HIF3BA-50PA-2.54DSA	CL610-0119-0	50	82.8	68.3	60.96	78.94 MAX101.9	72.6	78.7		
★ HIF3BB-50PA-2.54DSA	CL610-0141-9	50	82.8	68.3	60.96	78.94 MAX101.9	72.6	78.7		
★ HIF3BA-60PA-2.54DSA	CL610-0120-9	60	95.5	81.0	73.66	91.64 MAX114.6	85.3	91.4	One on right and left sides, resp.	
★ HIF3BB-60PA-2.54DSA	CL610-0142-1	60	95.5	81.0	73.66	91.64 MAX114.6	85.3	91.4	One at center	
★ HIF3BA-64PA-2.54DSA	CL610-0121-1	64	100.6	86.1	78.74	96.74 MAX119.7	90.4	96.5	One on right and left sides, resp.	
★ HIF3BB-64PA-2.54DSA	CL610-0143-4	64	100.6	86.1	78.74	96.74 MAX119.7	90.4	96.5	One at center	

The products marked with ★ comply with MIL standard.

Three Wall Angle Type



PCB Footprints



■ n = number of contacts

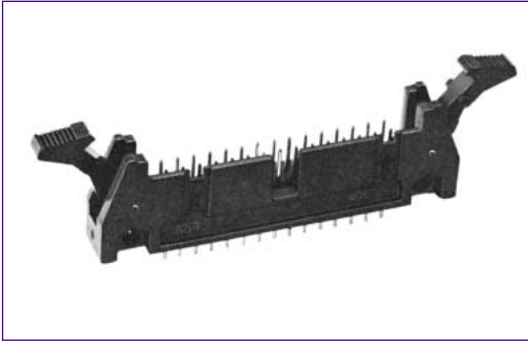
- Note 1, Note 2: The number of polarizing slot and key installed positions changes according to products. Refer to the list as shown below.
- Note 3: The spacer moves according to the number of contacts.
- Note 4: The 10 contact connector consists of two types.
Use products, confirming (Note 1) (Note 2).
- Note 5: The 6 contact has no polarity mark.
- Note 6: The nut built-in specification product is also provided.
The product can be fixed by M2 screws from the rear side.
Use the screw of (board thickness) + 4 mm under the neck.

Unit:mm

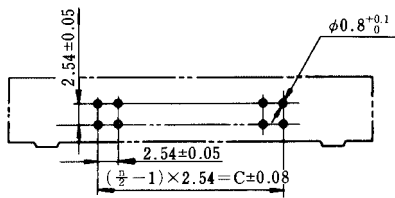
Product No.	HRS No.	Number of Contacts	A	B	C	D	E	F	Polarizing Slot (Note 1)	Polarizing Key Install (Note 2)	
★ HIF3B -10PA-2.54DS	CL610-0051-8	10	32.0	17.5	10.16	28.14 MAX51.1	21.8	27.9	None	One on right side	
HIF3BC-10PA-2.54DS	CL610-0151-2	10	32.0	17.5	10.16	28.14 MAX51.1	21.8	27.9	One at center	None	
★ HIF3B -16PA-2.54DS	CL610-0052-0	16	39.6	25.1	17.78	35.74 MAX58.7	29.5	35.5		One on right and left sides, resp.	
★ HIF3B -20PA-2.54DS	CL610-0053-3	20	44.7	30.2	22.86	40.84 MAX63.9	34.5	40.6			
★ HIF3B -26PA-2.54DS	CL610-0054-6	26	52.3	37.8	30.48	48.44 MAX71.4	42.2	48.3			
★ HIF3B -30PA-2.54DS	CL610-0055-9	30	57.4	42.9	35.56	53.54 MAX76.5	47.2	53.3			
★ HIF3B -34PA-2.54DS	CL610-0056-1	34	62.5	48.0	40.64	58.64 MAX81.6	52.3	58.4			
★ HIF3B -40PA-2.54DS	CL610-0057-4	40	70.1	55.6	48.26	66.24 MAX89.2	59.9	66.0			
★ HIF3B -50PA-2.54DS	CL610-0058-7	50	82.8	68.3	60.96	78.94 MAX101.9	72.6	78.7			
★ HIF3B -60PA-2.54DS	CL610-0059-0	60	95.5	81.0	73.66	91.64 MAX114.6	85.3	91.4			One on right and left sides, resp.
★ HIF3B -64PA-2.54DS	CL610-0060-9	64	100.6	86.1	78.74	96.74 MAX119.7	90.4	96.5			

The products marked with ★ comply with MIL standard.

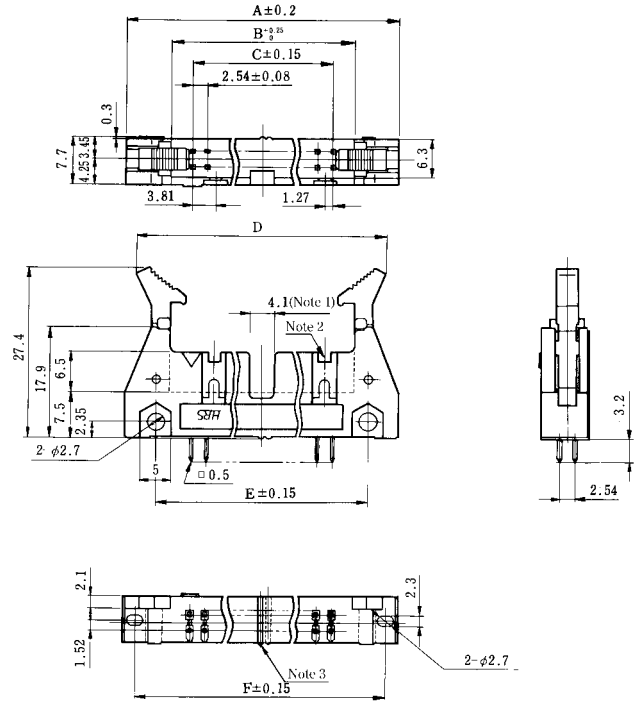
Three Wall Straight Dip



PCB Footprints



n=number of contacts



Note1, Note2: The number of polarizing slot and key installed positions changes according to products. Refer to the list as shown below.

Note3: The spacer moves to the right according to the number of contacts.

Note4: The 10 contact connector consists of two types. Use products, referring to (Note 1) and (Note 2).

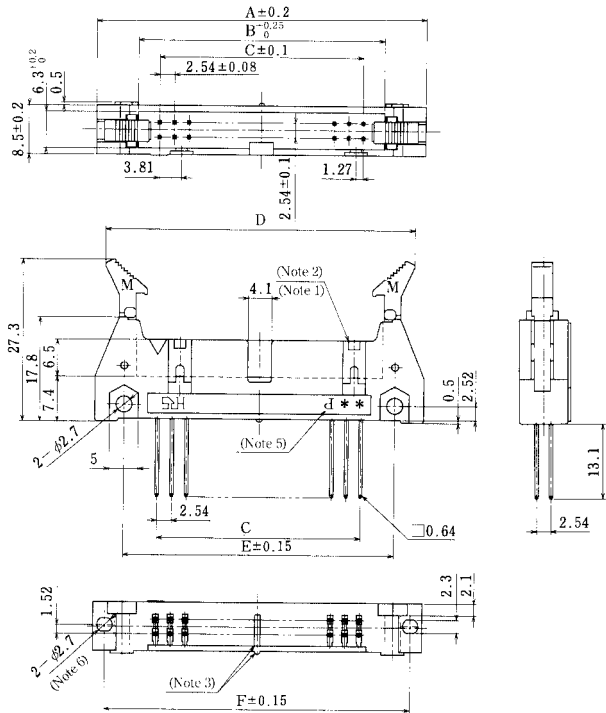
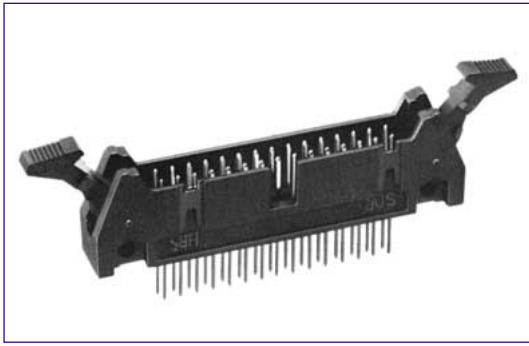
Note5: The 6 contact has no polarity mark.

Unit:mm

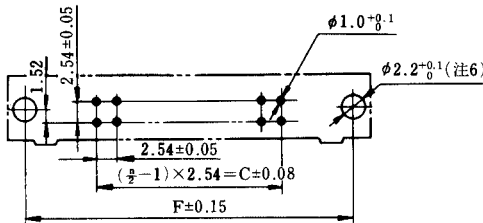
Product No.	HRS No.	Number of Contacts	A	B	C	D	E	F	Polarizing Slot (Note 1)	Polarizing Key Install (Note 2)
★ HIF3B -10PA-2.54DSA	CL610-0071-5	10	32.0	17.5	10.16	28.14 MAX51.1	21.8	27.9	None	One on right side
HIF3BC-10PA-2.54DSA	CL610-0161-6	10	32.0	17.5	10.16	28.14 MAX51.1	21.8	27.9	One at center	None
★ HIF3B -16PA-2.54DSA	CL610-0072-8	16	39.6	25.1	17.78	35.74 MAX58.7	29.5	35.5		One on right and left sides, resp.
★ HIF3B -20PA-2.54DSA	CL610-0073-0	20	44.7	30.2	22.86	40.84 MAX63.8	34.5	40.6		
★ HIF3B -26PA-2.54DSA	CL610-0074-3	26	52.3	37.8	30.48	48.44 MAX71.4	42.2	48.3		
★ HIF3B -30PA-2.54DSA	CL610-0075-6	30	57.4	42.9	35.56	53.54 MAX76.5	47.2	53.3		
★ HIF3B -34PA-2.54DSA	CL610-0076-9	34	62.5	48.0	40.64	58.64 MAX81.6	52.3	58.4		
★ HIF3B -40PA-2.54DSA	CL610-0077-1	40	70.1	55.6	48.26	66.24 MAX89.2	59.9	66.0		
★ HIF3B -50PA-2.54DSA	CL610-0078-4	50	82.8	68.3	60.96	78.94 MAX101.9	72.6	78.7	One on right and left sides, resp.	
★ HIF3B -60PA-2.54DSA	CL610-0079-7	60	95.5	81.0	73.66	91.64 MAX114.6	85.3	91.4		
★ HIF3B -64PA-2.54DSA	CL610-0080-6	64	100.6	86.1	78.74	96.74 MAX119.7	90.4	96.5		

The products marked with ★ comply with MIL standard.

Four Wall Lapping Type



PCB Footprints



■n=number of contacts

- Note 1, Note 2. The number of polarizing slot and key installed positions changes according to products. Refer to the list as shown below.
- Note 3. The spacer moves to the right according to the number of contacts.
- Note 4. The 10, 50, 60 and 64 contact connectors consists of two types. Use products, confirming (Note 1) (Note 2).
- Note 5. The mark * indicates the number of contacts.
- Note 6. The nut built-in specification product is also provided. The product can be fixed by M2 screws from the rear side. Use the screw of (board thickness) +4 mm under the neck.

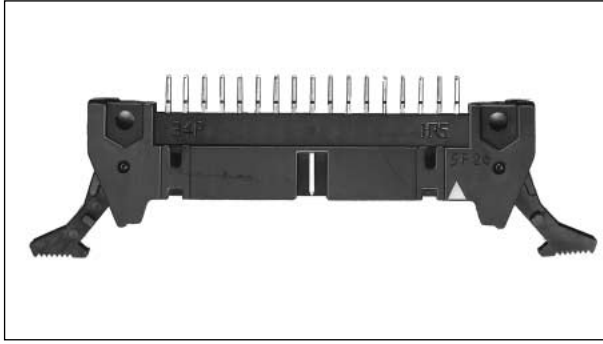
Unit:mm

Product No.	HRS No.	Number of Contacts	A	B	C	D	E	F	Polarizing Slot (Note 1)	Polarizing Key Install (Note 2)
★ HIF3BA-10P-2.54W	CL610-0503-8	10	32.0	17.5	10.16	28.14 MAX51.1	21.8	27.9	None	One on right side
HIF3BD-10P-2.54W	CL610-0492-3	10	32.0	17.5	10.16	28.14 MAX51.1	21.8	27.9	None	None
★ HIF3BA-14P-2.54W	CL610-0493-6	14	37.1	22.6	15.24	33.24 MAX56.2	26.9	33.0	One at center	One on right side
★ HIF3BA-16P-2.54W	CL610-0494-9	16	39.6	25.1	17.78	35.74 MAX58.7	29.5	35.5	One at center	One on right and left sides, resp.
★ HIF3BA-20P-2.54W	CL610-0495-1	20	44.7	30.2	22.86	40.84 MAX63.8	34.5	40.6	One at center	
★ HIF3BA-26P-2.54W	CL610-0496-4	26	52.3	37.8	30.48	48.44 MAX71.4	42.2	48.3	One at center	
★ HIF3BA-30P-2.54W	CL610-0497-7	30	57.4	42.9	35.56	53.54 MAX76.5	47.2	53.3	One at center	
★ HIF3BA-34P-2.54W	CL610-0498-0	34	62.5	48.0	40.64	58.64 MAX81.6	52.3	58.4	One at center	
★ HIF3BA-40P-2.54W	CL610-0499-2	40	70.1	55.6	48.26	66.24 MAX89.2	59.9	66.0	One at center	
★ HIF3BA-50P-2.54W	CL610-0504-0	50	82.8	68.3	60.96	78.94 MAX101.9	72.6	78.7	One on right and left sides, resp.	
★ HIF3BB-50P-2.54W	CL610-0500-0	50	82.8	68.3	60.96	78.94 MAX101.9	72.6	78.7	One at center	
★ HIF3BA-60P-2.54W	CL610-0505-3	60	95.5	81.0	73.66	91.64 MAX114.6	85.3	91.4	One on right and left sides, resp.	
★ HIF3BB-60P-2.54W	CL610-0501-2	60	95.5	81.0	73.66	91.64 MAX114.6	85.3	91.4	One at center	
★ HIF3BA-64P-2.54W	CL610-0506-6	64	100.6	86.1	78.74	96.74 MAX119.7	90.4	96.5	One on right and left sides, resp.	
★ HIF3BB-64P-2.54W	CL610-0502-5	64	100.6	86.1	78.74	96.74 MAX119.7	90.4	96.5	One at center	

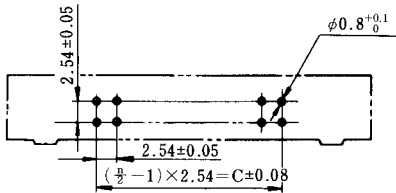
The products marked with ★ comply with MIL standard.

■Four Wall Straight Dip

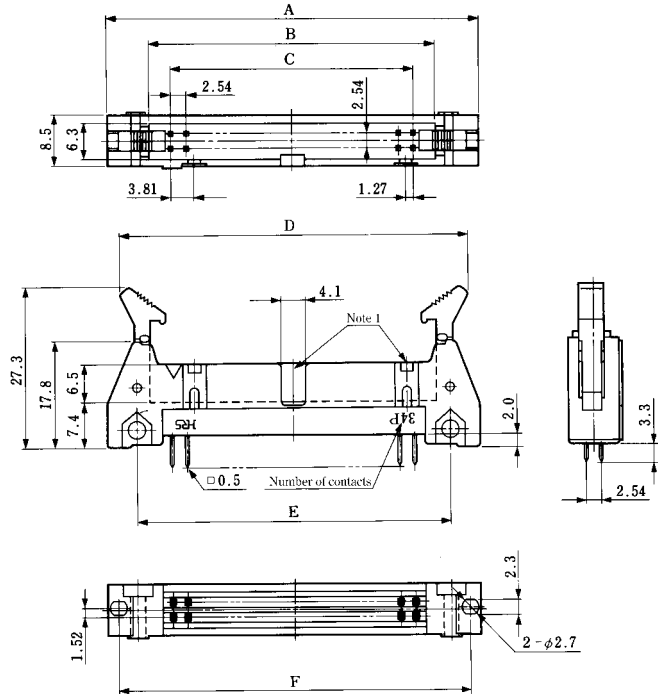
[Flux Blister Prevention Type]



◆PCB mounting pattern



■n=number of contacts



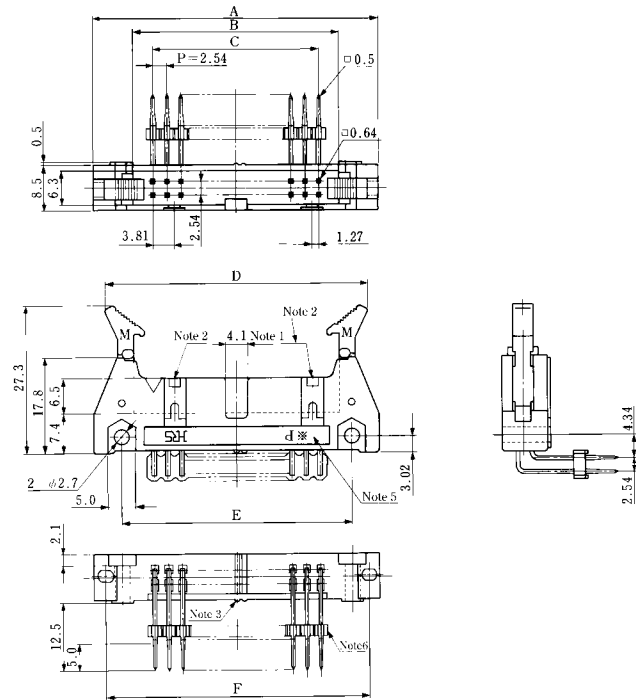
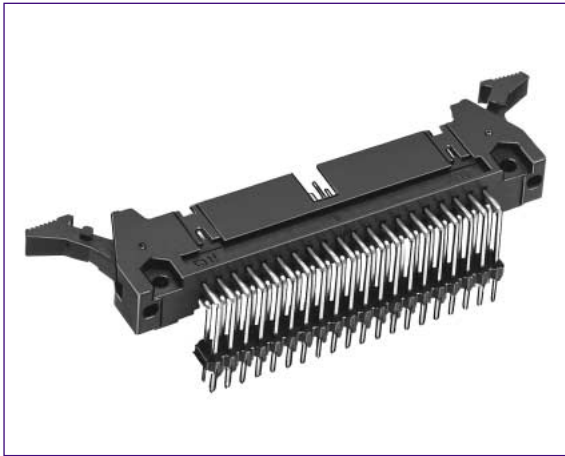
Note1: The number of polarizing slot and key installed positions changes according to products. Refer to the list as shown below.

Unit:mm

Part Number	CL No.	Number of Contacts	A	B	C	D	E	F	Polarizing Slot	Polarizing Key Install
★ HIF3CA-10PA-2.54DSA	CL610-0701-1	10	32.0	17.5	10.16	28.14 MAX51.1	21.8	27.9	None	One on right side
HIF3CD-10PA-2.54DSA	CL610-0722-1	10	32.0	17.5	10.16	28.14 MAX51.1	21.8	27.9	One at center	None
★ HIF3CA-16PA-2.54DSA	CL610-0703-7	16	39.6	25.1	17.78	35.74 MAX58.7	29.5	35.5		One on right and left sides, resp.
★ HIF3CA-20PA-2.54DSA	CL610-0704-0	20	44.7	30.2	22.86	40.84 MAX63.8	34.5	40.6		
★ HIF3CA-26PA-2.54DSA	CL610-0705-2	26	52.3	37.8	30.48	48.44 MAX71.4	42.2	48.3		
★ HIF3CA-30PA-2.54DSA	CL610-0706-5	30	57.4	42.9	35.56	53.54 MAX76.5	47.2	53.3		
★ HIF3CA-34PA-2.54DSA	CL610-0707-8	34	62.5	48.0	40.64	58.64 MAX81.6	52.3	58.4		
★ HIF3CA-40PA-2.54DSA	CL610-0708-0	40	70.1	55.6	48.26	66.24 MAX89.2	59.9	66.0		
★ HIF3CA-50PA-2.54DSA	CL610-0709-3	50	82.8	68.3	60.96	78.94 MAX101.9	72.6	78.7	One on right and left sides, resp.	
★ HIF3CB-50PA-2.54DSA	CL610-0721-9	50	82.8	68.3	60.96	78.94 MAX101.9	72.6	78.7	One at center	
★ HIF3CB-60PA-2.54DSA	CL610-0723-4	60	95.5	81.0	73.66	91.64 MAX114.6	85.3	91.4		
★ HIF3CB-64PA-2.54DSA	CL610-0724-7	64	100.6	86.1	78.74	96.74 MAX119.7	90.4	96.5		

The products marked with ★ comply with MIL standard.

Two Stage Staking Right Angle Dip



Note 1, Note 2: The number of polarizing slot and key installed positions changes according to products. Refer to the list as shown below.

Note 3: The spacer moves to the right according to the number of contacts.

Note 4: The 10, 50, 60 and 64 contact connectors consists of two types.
Use products, confirming (Note 1) (Note 2).

Note 5: The mark * indicates the number of contacts.

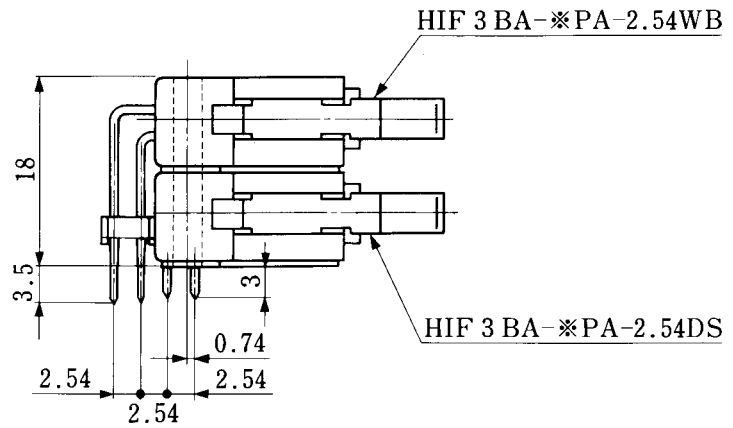
Note 6: The locator is located optionally.

Unit:mm

Product No.	HRS No.	Number of Contacts	A	B	C	D	E	F	Polarizing Slot (Note 1)	Polarizing Key Install (Note 2)
★ HIF3BA-10PA-2.54WB	CL610-1502-0	10	32.0	17.5	10.16	28.14 MAX51.1	21.8	27.9	None	One on right side
HIF3BD-10PA-2.54WB	CL610-1503-3	10	32.0	17.5	10.16	28.14 MAX51.1	21.8	27.9	One at center	None
★ HIF3BA-16PA-2.54WB	CL610-1505-9	16	39.6	25.1	17.78	35.74 MAX58.7	29.5	35.5		
★ HIF3BA-20PA-2.54WB	CL610-1506-1	20	44.7	30.2	22.86	40.84 MAX63.9	34.5	40.6		
★ HIF3BA-26PA-2.54WB	CL610-1507-4	26	52.3	37.8	30.48	48.44 MAX71.4	42.2	48.3		
★ HIF3BA-30PA-2.54WB	CL610-1508-7	30	57.4	42.9	35.56	53.54 MAX76.5	47.2	53.3		
★ HIF3BA-34PA-2.54WB	CL610-1509-0	34	62.5	48.0	40.64	58.64 MAX81.6	52.3	58.4		
★ HIF3BA-40PA-2.54WB	CL610-1510-9	40	70.1	55.6	48.26	66.24 MAX89.2	59.9	66.0		
★ HIF3BA-50PA-2.54WB	CL610-1511-1	50	82.8	68.3	60.96	78.94 MAX101.9	72.6	78.7		One on right and left sides, resp.
★ HIF3BB-50PA-2.54WB	CL610-1512-4	50	82.8	68.3	60.96	78.94 MAX101.9	72.6	78.7		One at center
★ HIF3BA-60PA-2.54WB	CL610-1513-7	60	95.5	81.0	73.66	91.64 MAX114.6	85.3	91.4		One on right and left sides, resp.
★ HIF3BB-60PA-2.54WB	CL610-1514-0	60	95.5	81.0	73.66	91.64 MAX114.6	85.3	91.4		One at center
★ HIF3BA-64PA-2.54WB	CL610-1515-2	64	100.6	86.1	78.74	96.74 MAX119.7	90.4	96.5		One on right and left sides, resp.
★ HIF3BB-64PA-2.54WB	CL610-1516-5	64	100.6	86.1	78.74	96.74 MAX119.7	90.4	96.5		One at center

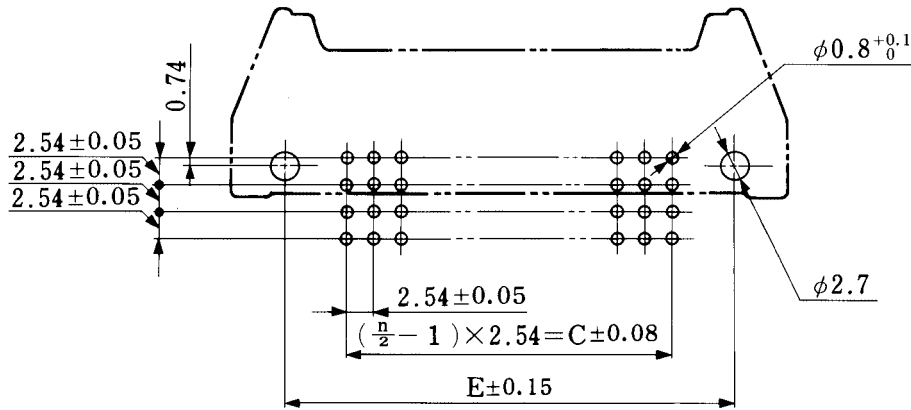
The products marked with ★ comply with MIL standard.

◆ Combination Pattern

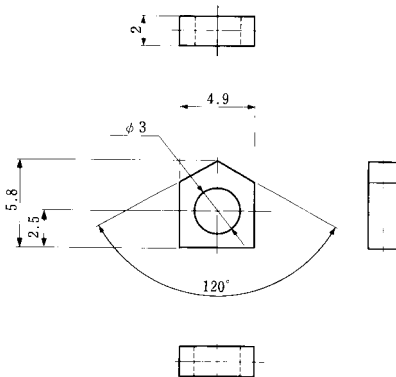


Note : Fix the HIF3-mounting hole spacer by screws between upper stage and lower stage connectors.

◆ PCB Footprints



■ Mounting Hole Spacer

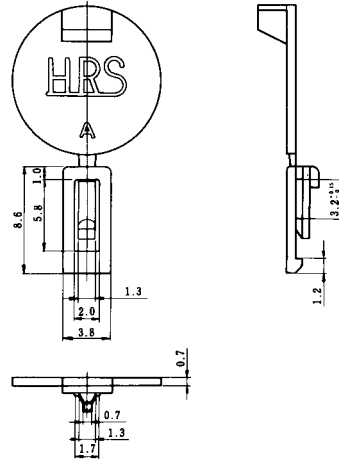


Product No.	HRS No.	Finish
HIF-3 mounting hole spacer	CL562-0714-4	PBT Black

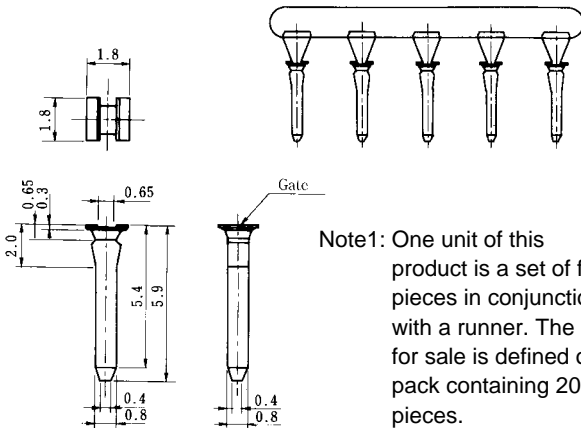
Note : 2 pieces are contained in a bag.

◆Polarizing Key

HIF3B-GK
CL562-0601-8



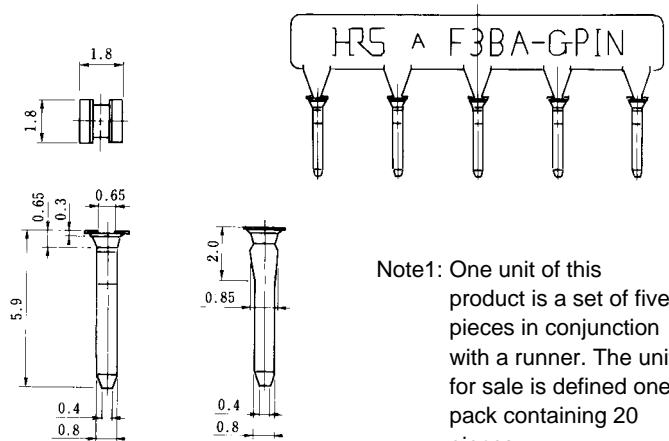
HIF3-GPIN(A)



Note1: One unit of this product is a set of five pieces in conjunction with a runner. The unit for sale is defined one pack containing 20 pieces.

Note2: This product is applicable to HIF3A-*D2.54R, HIF3C-*D2.54C and HIF3BA-*D2.54C products.

HIF3BA-GPIN



Note1: One unit of this product is a set of five pieces in conjunction with a runner. The unit for sale is defined one pack containing 20 pieces.

Note2: This product is applicable to the HIF3BA-*D2.54R product.

Product No.	HRS No.	Material	Remarks
HIF3-GPIN(A)	CL562-0126-6	Poly acetal (white)	A set of 5 pieces

Product No.	HRS No.	Material	Remarks
HIF3BA-GPIN	CL612-0500-2	Poly acetal (white)	A set of 5 pieces

◆HIF3-Multi Clamp



This clamp is used for intermediate connection in the bus-line system, etc. Remove compulsory force from the insulation displacement area of the connector in intermediate connection.

Note: The pin header corresponds to the HIF3BAE series (lock E).

◆HIF3-*CL Pull Tab



This pull tab is used for the HIF3 series equipped with cable clamp function. Remove all compulsory force, which is loaded on the insulation displacement area of the connector for extraction.

Note: This HIF3-* Pull Tab can not be used for HIF3BA-*PD.

Note: The pin header corresponds to the HIF3BAE series (lock E).

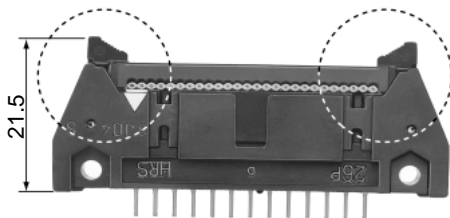


◆Lock

●Low Profile Lock Pin Header

Lock G

Product No. : HIF3BAG-**PA-2.54DSA

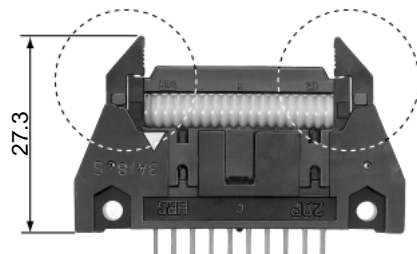


- Low profile type, and used for lock ejection. Connector height is reduced. Since no connector clamp is needed on the cable side, this is used without turning back on the cable side. Take care about this point.

●F Type Lock Pin Header

Lock F

Product No. : HIF3BAG-**PA-2.54DSA



- Locking range more reduced than conventional lock type. Even if connectors are aligned laterally, the mounting space is reduced. Note : The clamp must be replaced for HIF3A socket type 50 contacts only. Take care about this point.