

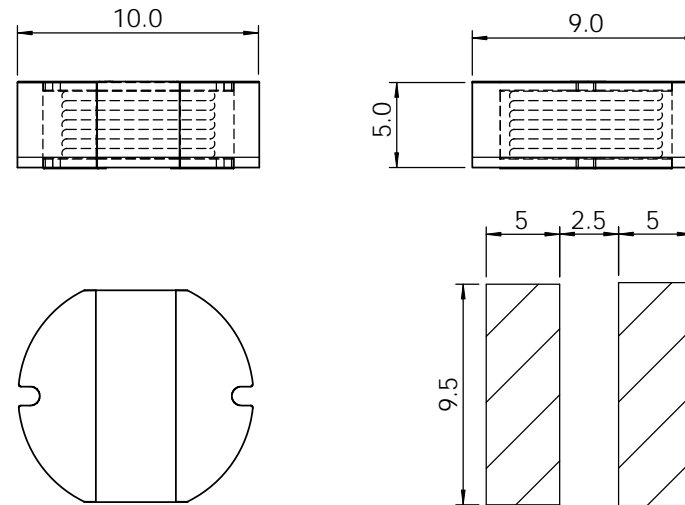
Part	L (μ H)	Tol %	R _{DC} MAX (Ω)	I _{bc} (A)
CDR105B-100	10 @ 2.52 MHz	M	0.06	2.06
CDR105B-120	12 @ 2.52 MHz	M	0.07	1.94
CDR105B-150	15 @ 2.52 MHz	M	0.07	1.72
CDR105B-180	18 @ 2.52 MHz	M	0.08	1.58
CDR105B-220	22 @ 2.52 MHz	M	0.08	1.42
CDR105B-270	27 @ 2.52 MHz	M	0.1	1.32
CDR105B-330	33 @ 2.52 MHz	M	0.11	1.16
CDR105B-390	39 @ 2.52 MHz	M	0.12	1.1
CDR105B-470	47 @ 2.52 MHz	M	0.14	1
CDR105B-560	56 @ 2.52 MHz	L,M	0.19	0.93
CDR105B-680	68 @ 2.52 MHz	L,M	0.21	0.85
CDR105B-820	82 @ 2.52 MHz	L,M	0.28	0.79
CDR105B-101	100 @ 1.0 kHz	L,M	0.34	0.72
CDR105B-121	120 @ 1.0 kHz	L,M	0.37	0.63
CDR105B-151	150 @ 1.0 kHz	L,M	0.51	0.55
CDR105B-181	180 @ 1.0 kHz	L,M	0.57	0.5
CDR105B-221	220 @ 1.0 kHz	L,M	0.78	0.47
CDR105B-271	270 @ 1.0 kHz	L,M	0.87	0.41
CDR105B-331	330 @ 1.0 kHz	L,M	1.2	0.37
CDR105B-391	390 @ 1.0 kHz	L,M	1.34	0.35
CDR105B-471	470 @ 1.0 kHz	L,M	1.5	0.33

SPECIFICATION

- TYPE = CDR105B
- CONSTRUCTION = SURFACE MOUNT POWER INDUCTOR
- TERMINAL COATING = NICKEL / SILVER
- OPERATING TEMP. = -40 TO +85 °C
- STORAGE TEMP = -55 TO +125 °C
- INSULATION RESISTANCE = 100M Ω m. 100V TERMINAL-CORE
- DIELECTRIC STRENGTH = 250Vac TERMINAL-CORE
- HUMIDITY EFFECTS = L \pm 5 @ 95%RH, 40 °C, 1HR
Q \pm 5 @ 95%RH, 40 °C, 1HR
- PACKAGING = 750PCS/REEL
- MARKING = 3 CHARACTERS, VALUE

NOTE

TOLERANCES L=15%; M=20%.



PROPRIETARY AND CONFIDENTIAL THE INFORMATION CONTAINED IN THIS DRAWING IS THE SOLE PROPERTY OF AIT COMPONENTS LTD. ANY REPRODUCTION IN PART OR AS A WHOLE WITHOUT THE WRITTEN PERMISSION OF AIT COMPONENTS LTD IS STRICTLY PROHIBITED.		NAME	DATE	AIT COMPONENTS LTD www.aitcomponents.com
	DRAWN			
	CHECKED			TITLE:
	ENG APPR.			CDR105B SMD POWER INDUCTOR
MATERIAL	--	UNLESS OTHERWISE SPECIFIED DIMENSIONS ARE IN MILLIMETERS TOLERANCES: ONE PLACE DECIMAL +/-0.3 TWO PLACE DECIMAL +/-0.13 ANGLE +/-1 DEGREE		SIZE A DWG. NO. CDR105B SMD POWER INDUCTOR REV. 00
FINISH	--	DO NOT SCALE DRAWING		SCALE:1:1 SHEET 1 OF 1