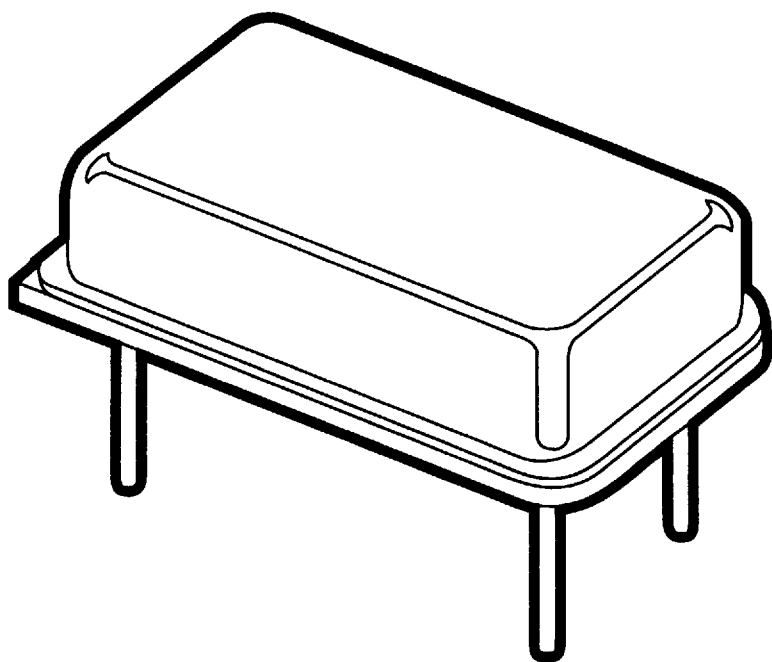


# COMCLOK

## TTL Clock Oscillators



### SPECIFICATIONS

	250KHz-4.0MHz	4.0-25.0MHz	25.0-70MHz
FREQUENCY RANGE	250KHz-4.0MHz	4.0-25.0MHz	25.0-70MHz
FREQUENCY STABILITY	±0.01%, ±0.005%, ±0.0025	±0.01%, ±0.005%, ±0.0025	±0.01%, ±0.005%, ±0.0025
TEMPERATURE RANGE			
Operating	0°-70°C	0°-70°C	0°-70°C
Storage	-55°-+125°C	-55°-+125°C	-55°-+125°C
INPUT VOLTAGE	+5 V DC ±10%	+5 V DC ±10%	+5 V DC ±10%
INPUT CURRENT	80mA Max. 25-3.99MHz	50mA Max. 4.00-25.00MHz	50mA Max. 25.0-31.9MHz 60mA Max. 32.0-70.0MHz
TTL OUTPUT			
Symmetry	60/40% @ 1.4 V DC level	60/40% @ 1.4 V DC level	60/40% @ 1.4 V DC level
Rise and Fall Time	10 ns Max. .25-4.0MHz	10 ns Max. 4.00-25.00MHz	4 ns Typ. 10 ns Max.
"0" Level	+0.5 V Max.	+0.5 V Max.	+0.5 V Max.
"1" Level	+2.4 V Min.	+2.4 V Min.	+2.4 V Min.
Output	1 to 10 TTL Gates	1 to 10 TTL Gates	1 to 5 TTL Gates

All specifications subject to change without notice.

### Models:

- CCO 100A (100 ppm)
- CCO 50A (50 ppm)
- CCO 25A (25 ppm)

### Features:

- 0.800" (L) x .500"(W) x 0.240"(H)\*
- Dual In Line Spacing
- TTL Compatible Output
- High Reliability
- Resistance Welded

### Options:

- 45/55 Symmetry
- Extended Temp Range (per specifications)
- 20 ppm
- 15 ppm
- 10 ppm

\*INCLUDES INSULATED STAND OFFS.

### COMCLOK

1142 No. Gilbert St.  
Anaheim, CA 92801

ORDER PLACEMENT - TOLL FREE

800-333-9825

FAX - 714-491-XTAL

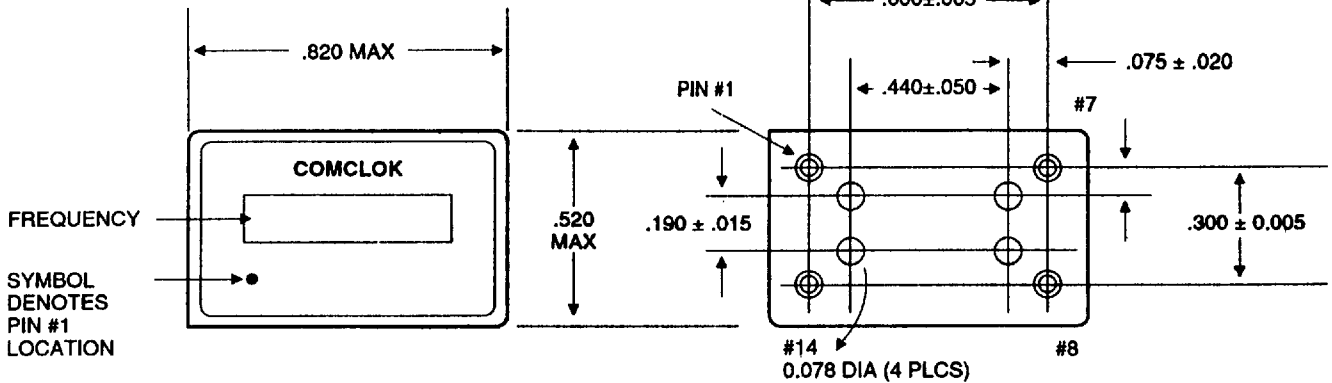
TECHNICAL ASSISTANCE

213-836-9592

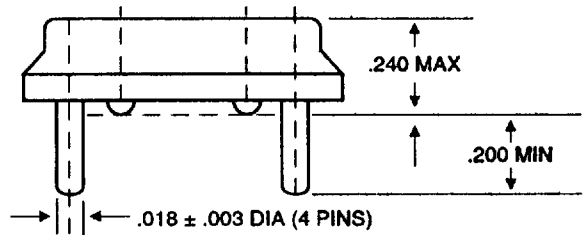
# COMCLOK

## TTL Clock Oscillators

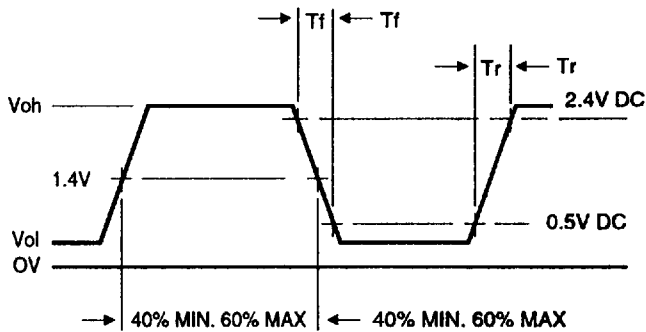
### Dimensions & Pin Connections



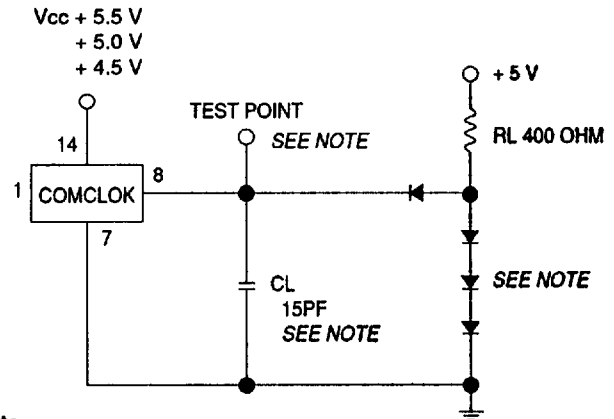
PIN	CONNECTION
1	N.C.
7	GND
8	OUTPUT
14	+ V dc



### Wave Shape



### Test Circuit



**Note:**

1. Capacitance includes probe and jig capacitance.
2. All diodes are IN914 or IN43064 or equivalent.
3. Use a frequency meter for output frequency measurement and an oscilloscope for wave shape measurements.

All specifications subject to change without notice