

PLEASE CHECK WWW.MOLEX.COM FOR LATEST PART INFORMATION

Part Number: **0191210026**
Status: **Active**
Description: InsulKrimp™ Flanged Spade Tongue Terminal for 14-16 AWG Wire, Stud Size 6

Documents:

[Drawing \(PDF\)](#) [RoHS Certificate of Compliance \(PDF\)](#)
[Product Specification PS-19902-009 \(PDF\)](#)

Agency Certification

CSA LR18689
 UL E32244

General

Product Family Ring and Spade Terminals
 Series 19121
 Crimp Quality Equipment Yes
 Mil-Spec N/A
 Product Name InsulKrimp™
 Type Spade

Physical

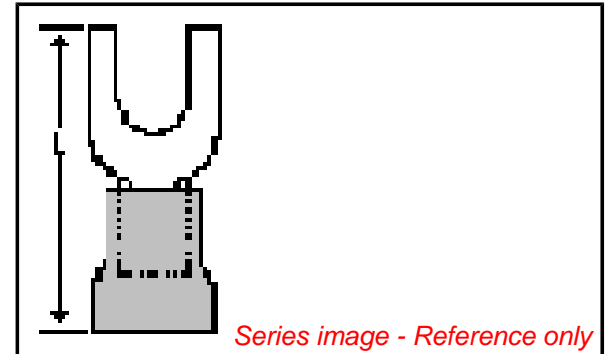
Barrel Type Closed
 Color - Resin Natural
 Flammability 94V-2
 Insulation PVC
 Material - Plating Mating Tin
 Packaging Type Bag
 Plating min: Mating (µin) 160
 Plating min: Mating (µm) 4
 Plating min: Termination (µin) 160
 Plating min: Termination (µm) 4
 Stud Size 6 (M3.5)
 Wire Insulation Diameter 4.45mm (.175")
 Wire Size AWG 14, 16
 Wire Size mm² 1.00 - 2.50

Material Info

Old Part Number BB-216-06X

Reference - Drawing Numbers

Product Specification PS-19902-009
 Sales Drawing SD-19121-001



EU RoHS

**ELV and RoHS
 Compliant**
REACH SVHC
 Not Reviewed
**Halogen-Free
 Status**
Not Reviewed

China RoHS



**Need more information on product
 environmental compliance?**

Email productcompliance@molex.com
 For a multiple part number RoHS Certificate of
 Compliance, [click here](#)

Please visit the [Contact Us](#) section for any
 non-product compliance questions.

Search Parts in this Series

[19121Series](#)

Application Tooling | FAQ

*Tooling specifications and manuals are
 found by selecting the products below.
 Crimp Height Specifications are then
 contained in the Application Tooling
 Specification document.*

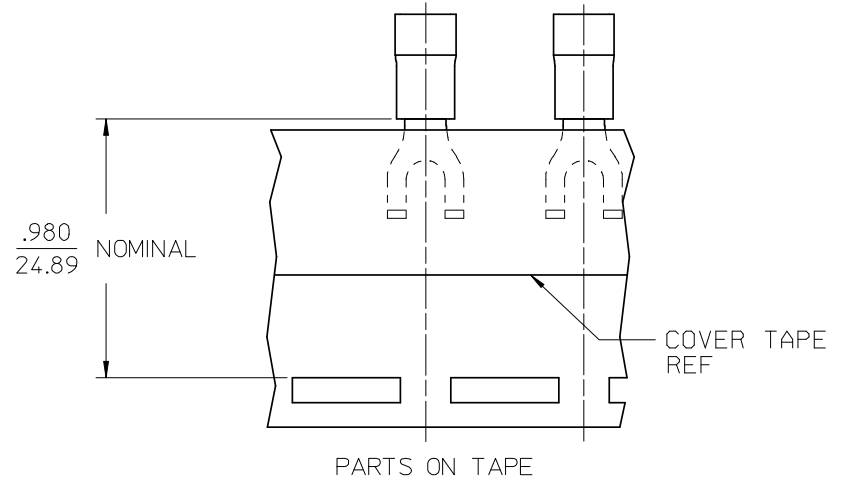
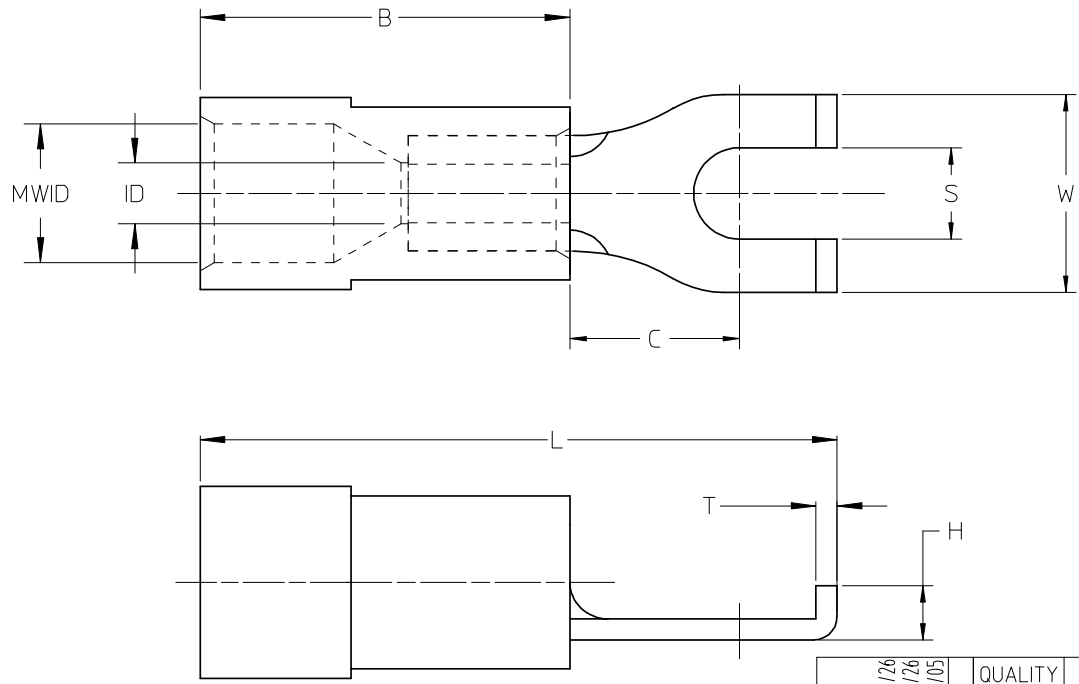
Global

Description	Product #
Hand Crimp Tool	0640010100
Hand Crimp Tool	0640010300
Hand Crimp Tool	0640011400
Crimp Head for the AT-200™ Pneumatic Hand Tool	0640050100
Crimp Head for the AT-200™ Pneumatic Hand Tool	0640050300
Crimp Head for the AT-200™ Pneumatic Hand Tool	0640051400

This document was generated on 04/13/2010

PLEASE CHECK WWW.MOLEX.COM FOR LATEST PART INFORMATION

10		9		8		7		6		5		4		3		2		19121	
LOOSE PIECE		TAPE MOUNTED		DIMENSIONS														FINISH	
MATERIAL NUMBER	ENGINEERING NUMBER	MATERIAL NUMBER	ENGINEERING NUMBER	STUD SIZE	S ±.005	W MAX	C MIN	ID MIN	MWID	B REF	L MAX	H REF	T REF	INSULATION COLOR					
F 191210005	AA-215-06X	191210006	AA-215-06XT	6	.146/3.71	.301/7.6	.207/5.3	.054/1.37	.145/3.68	.400/10.16	.781/19.8	.08/2.0	.031/0.79	RED					
191210007	AA-215-08X	191210008	AA-215-08XT	8	.173/4.39	.301/7.6	.207/5.3	.054/1.37	.145/3.68	.400/10.16	.781/19.8	.08/2.0	.031/0.79	RED					
191210009	AA-215-10X	191210010	AA-215-10XT	10	.198/5.03	.301/7.6	.207/5.3	.054/1.37	.145/3.68	.400/10.16	.781/19.8	.08/2.0	.031/0.79	RED					
191210026	BB-216-06X	191210027	BB-216-06XT	6	.146/3.71	.301/7.6	.209/5.3	.081/2.06	.175/4.45	.400/10.16	.795/20.2	.08/2.0	.031/0.79	BLUE					
191210028	BB-216-08X	191210029	BB-216-08XT	8	.173/4.39	.301/7.6	.209/5.3	.081/2.06	.175/4.45	.400/10.16	.795/20.2	.08/2.0	.031/0.79	BLUE					
191210030	BB-216-10X	191210031	BB-216-10XT	10	.198/5.03	.301/7.6	.209/5.3	.081/2.06	.175/4.45	.400/10.16	.795/20.2	.08/2.0	.031/0.79	BLUE					
191210051	C-217-06X	191210052	C-217-06XT	6	.146/3.71	.345/8.8 (A)	.270/6.85 (A)	.128/3.25	.245/6.22	.550/13.97	1.01/25.7 (A)	.10/2.5	.040/1.02	YELLOW					
E 191210053	C-217-08X	191210054	C-217-08XT	8	.173/4.39	.385/9.8	.270/6.85 (A)	.128/3.25	.245/6.22	.550/13.97	1.01/25.7 (A)	.10/2.5	.040/1.02	YELLOW					
191210056	C-217-10X	191210057	C-217-10XT	10	.209/5.3 (A)	.385/9.8	.270/6.85 (A)	.128/3.25	.245/6.22	.550/13.97	1.01/25.7 (A)	.10/2.5	.040/1.02	YELLOW					



SALES DRAWING

- NOTES:
 1. MATERIAL: COPPER
 2. PLATING: ELECTRO-TIN
 3. MWID = MAXIMUM WIRE INSULATION DIAMETER
 4. PART IS RoHS COMPLIANT

12-10 TO ALT DIE DIMS EC NO: ETC2008-0012 DRWN:RSTONE 2007/11/26 CHKD:MACNEIL 2007/11/26 APPR:MACNEIL 2007/12/05	QUALITY SYMBOLS	GENERAL TOLERANCES (UNLESS SPECIFIED)		DIMENSION STYLE IN/MM		SCALE ---	DESIGN UNITS INCH	THIRD ANGLE PROJECTION	
	▽=0 ∇=0	4 PLACES	± ---	± ---	DRAWN BY JJ	DATE 1984/11/05	TITLE FLANGED SPADE TERMINAL, INSULKRIMP		
		3 PLACES	± 0.005	± .005	CHECKED BY GZ	DATE 1984/11/06	MATERIAL NO. SEE CHART		
		2 PLACES	± 0.13	± .01	APPROVED BY	DATE	DOCUMENT NO. SD-19121-001		
		1 PLACE	± 0.25	± ---	DRAFT WHERE APPLICABLE MUST REMAIN WITHIN DIMENSIONS		SHEET NO. 1 OF 1		
		ANGULAR ±1/2°		THIS DRAWING CONTAINS INFORMATION THAT IS PROPRIETARY TO MOLEX INCORPORATED AND SHOULD NOT BE USED WITHOUT WRITTEN PERMISSION					