

PLEASE CHECK WWW.MOLEX.COM FOR LATEST PART INFORMATION

Part Number: [0190170041](#)
Status: **Active**
Description: InsulKrimp™ Quick Disconnect, Female, for 14-16 (2.00-1.30) Wire, Mylar Tape, Tab 6.35mm (.250") x 0.81mm (.032")

Documents:

[Drawing \(PDF\)](#) [RoHS Certificate of Compliance \(PDF\)](#)
[Product Specification PS-19902-008 \(PDF\)](#)

Agency Certification

CSA LR18689
 UL E79133

General

Product Family Quick Disconnects
 Series [19017](#)
 Crimp Quality Equipment Yes
 Product Name InsulKrimp™
 Type Quick Disconnect

Physical

Barrel Type Closed
 Flammability 94V-2
 Gender Female
 Glow-Wire Compliant No
 Insulation PVC
 Lock to Mating Part None
 Material - Metal Brass
 Orientation Straight
 Packaging Type Adhesive Tape on Reel
 Polarized to Mating Part No
 Tab Thickness 0.81mm (.032")
 Tab Width 6.35mm (.250")
 Temperature Range - Operating -50°C to +105°C
 Wire Insulation Diameter 3.70mm (.145") max.
 Wire Size AWG 14, 16
 Wire Size mm² 1.30 - 2.00

Electrical

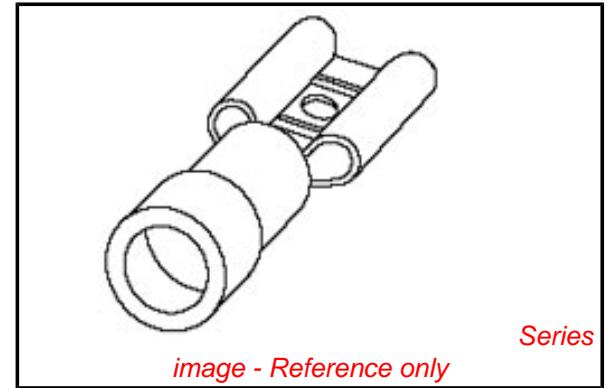
Voltage - Maximum 600V

Material Info

Old Part Number BB-2141T

Reference - Drawing Numbers

Product Specification PS-19902-008
 Sales Drawing CD2901



EU RoHS

ELV and RoHS Compliant
REACH SVHC
 Not Reviewed
Halogen-Free Status
 Not Reviewed

China RoHS



Need more information on product environmental compliance?

Email productcompliance@molex.com
 For a multiple part number RoHS Certificate of Compliance, [click here](#)

Please visit the [Contact Us](#) section for any non-product compliance questions.

Search Parts in this Series

[19017Series](#)

Application Tooling | [FAQ](#)

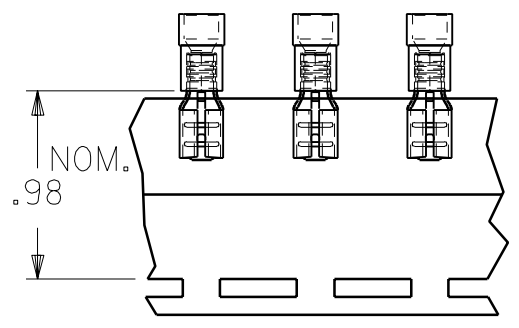
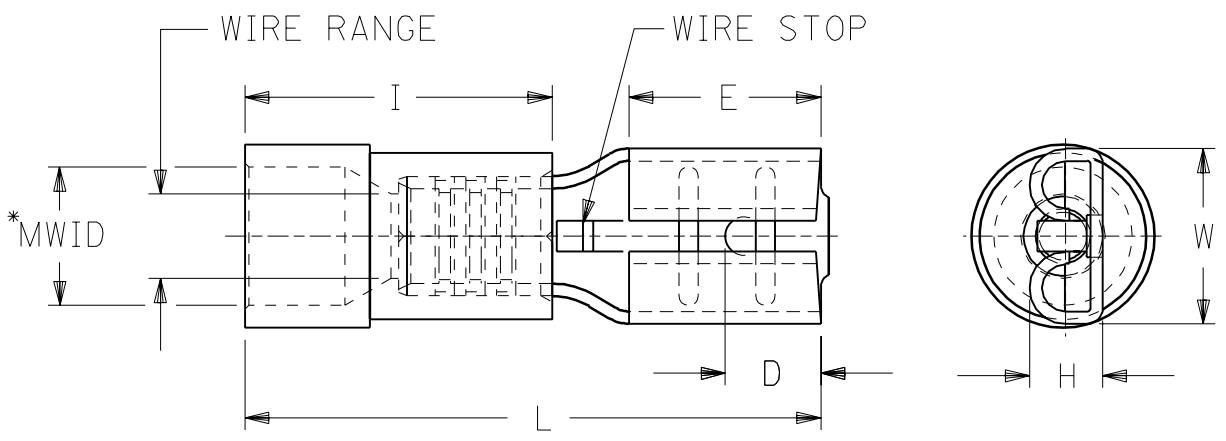
Tooling specifications and manuals are found by selecting the products below. Crimp Height Specifications are then contained in the Application Tooling Specification document.

Global

Description	Product #
Crimp Dies for MTA-100 Tape Applicator used in 3BF Press, MTA-105 Tape Applicator used in TM-2000™ Press, and ATP-301 Air Crimping Press for Mylar Tape Mounted Terminals	0192880104

PLEASE CHECK WWW.MOLEX.COM FOR LATEST PART INFORMATION

DRWG. NO. CD-2901



PART NUMBERS ARE FOR LOOSE PIECE ,TO ORDER PARTS ON TAPE ADD A "T" TO END OF PART NUMBER.

MATERIAL: BRASS
FINISH: ELECTRO-TIN PLATING
INSULATION: PVC

* MWID=MAXINUM WIRE INSULATION DIAMETER

PART NUMBER	INS. COLOR	WIRE RANGE AWG	MM ²	FITS MALE TAB SIZE	STOCK THICK.	"L" MAX.	"I" MAX.	"W" MAX.	"D" ±.01	"H" ±.01	"E" NOM.	MWID
AA-2140	RED	22-18	0.25-1.3	.250x.032	.016	.88	.41	.30	.156	.103	.31	.13
BB-2141	BLUE	16-14	1.0-2.6	.250x.032	.016	.88	.41	.30	.156	.103	.31	.14
P-2142	YELLOW	14-12	1.65-4.2	.250x.032	.016	.88	.41	.30	.156	.103	.31	.17
C-2143	YELLOW	12-10	2.6-6.6	.250x.032	.018	1.00	.56	.30	.156	.110	.31	.22
AA-2190-032	RED	22-18	0.25-1.3	.205x.032	.016	.78	.41	.251	.125	.103	.25	.13
BB-2191-032	BLUE	16-14	1.0-2.6	.205x.032	.016	.78	.41	.251	.125	.103	.25	.14
AA-2190	RED	22-18	0.25-1.3	.205x.020	.016	.78	.41	.251	.125	.086	.25	.13
BB-2191	BLUE	16-14	1.0-2.6	.205x.020	.016	.78	.41	.251	.125	.086	.25	.14
AA-2137-032	RED	22-18	0.25-1.3	.187x.032	.016	.78	.41	.24	.125	.103	.25	.13
BB-2138-032	BLUE	16-14	1.0-2.6	.187x.032	.016	.78	.41	.24	.125	.103	.25	.14
P-2139-032	YELLOW	14-12	1.65-4.2	.187x.032	.016	.78	.41	.24	.125	.103	.25	.17
AA-2137	RED	22-18	0.25-1.3	.187x.020	.016	.78	.41	.24	.125	.086	.25	.13
BB-2138	BLUE	16-14	1.0-2.6	.187x.020	.016	.78	.41	.24	.125	.086	.25	.14
P-2136	YELLOW	14-12	1.65-4.2	.187x.020	.016	.78	.41	.24	.125	.086	.25	.17

A
ECN-P5012
95/06/09 EMF
ADDED .205 P/W'S

LTR REVISIONS

REVISE ONLY ON CAD SYSTEM

TITLE
INSULKRIMP
QUICK DISCONNECT

CUSTOMER
DRAWING

DRWC. BY RCM
CHK'D. BY
APP'D. BY
SCALE NO:NE

moLEX ETC INC.
PINELLAS PARK, FLA. 34665 U.S.A.
PART NO. SEE TABLE
FILE NAME CD2901

SHEET NO.
DATE 11/26/90
DRWG. NO. CD-2901
THIS DRAWING CONTAINS INFORMATION THAT IS PROPRIETARY TO MOLEX-ETC INC. AND SHOULD NOT BE USED WITHOUT WRITTEN PERMISSION.
DIV.
SIZE A