

CRYDOM CO

**CRYDOM**

F25-31

55E D ■ 2542537 0000701 831 ■ CRY

## Series 53TP

25-50Amp  
3 PHASE

FSMT

- SCR Output
- AC or DC Control
- LED Status Indicator

Three-phase solid state relays switch up to 530 Vrms directly to loads such as motors, transformers, heating elements, etc. Models are available with either AC or DC input (coil) control in zero-voltage or random turn-on switching versions.

### DC INPUT MODELS

Crydom Model Number	Line Voltage Range (Vac)	Load Current Range (Arms)	Control Voltage Range (Vdc)	Must Operate Voltage (Vdc)	Must Release Voltage (Vdc)	Surge Current 1-Cycle (Apk)
D53TP25D	48-530	.05-25	3-32	3.0	1.0	250
D53TP50D	48-530	.05-50	3-32	3.0	1.0	625

### AC INPUT MODELS

Crydom Model Number	Line Voltage Range (Vac)	Load Current Range (Arms)	Control Voltage Range (Vac)	Must Operate Voltage (Vac)	Must Release Voltage (Vac)	Surge Current 1-Cycle (Apk)
A53TP25D	48-530	.05-25	90-280	90.0	10.0	250
A53TP50D	48-530	.05-50	90-280	90.0	10.0	625

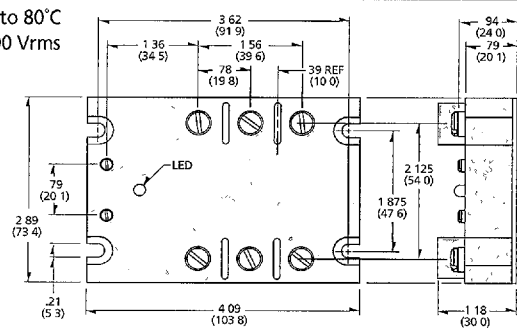
### GENERAL SPECIFICATIONS

Operating Temperature Range: -30°C to 80°C  
Isolation Voltage: 4000 Vrms

### AVAILABLE OPTIONS

- 10 Non-Zero Cross, Instantaneous Turn-On  
Example: D53TP50D-10
- DP 2 Controlled, 1 Linked  
Example: D53DP50D

### MECHANICAL



## Series DSD, DLD

TIME DELAY RELAY  
10-50Amp  
AC OUTPUT

FSMT

- Industry Standard Package
- Externally Adjustable

These time-delay solid state relays are housed in a single industry standard package. AC output is controlled by a DC input and has an externally adjustable time delays. Choices include models with two time-delay ranges.

Crydom Model Number	Line Voltage Range (Vac)	Load Current Range (Arms)	Control Voltage Range (Vdc)	Must Operate Voltage (Vdc)	Must Release Voltage (Vdc)	Surge Current 1-Cycle (Apk)
DSD2410	48-280	.04-10	3.5-15	3.5	1.0	120
DSD2425	48-280	.04-25	3.5-15	3.5	1.0	250
DSD2450	48-280	.04-50	3.5-15	3.5	1.0	625
DLD2410	48-280	.04-10	3.5-15	3.5	1.0	120
DLD2425	48-280	.04-25	3.5-15	3.5	1.0	250
DLD2450	48-280	.04-50	3.5-15	3.5	1.0	625

### GENERAL SPECIFICATIONS

Operating Temperature Range: -30°C to 80°C  
Isolation Voltage: 4000 Vrms

### TYPICAL TURN-ON DELAY

For Various Timing Resistances

Resistor	Time (DSD)	Time (DLD)
0 (Short)	0.10 s	1.6 s
10KΩ	0.19 s	3.1 s
100KΩ	0.94 s	15 s
470KΩ	4.0 s	64 s
1.0MΩ	8.3 s	133 s

### MECHANICAL

All dimensions are in inches (millimeters)

