

PLEASE CHECK WWW.MOLEX.COM FOR LATEST PART INFORMATION

Part Number: **0476281012**
Status: **Active**
Overview: slimline serial ata odd connectors
Description: 1.00mm(.039"), 1.27mm (.050") Pitch Slimline Serial ATA Plug for Optical Disk Drive, Vertical, Through hole, Bottom Mount, 0.76µm (30µ") Gold (Au) Plating, with Beveled Metal Pins, Lead-free

Documents:

[3D Model](#) [Product Specification PS-47628-001 \(PDF\)](#)
[Drawing \(PDF\)](#) [RoHS Certificate of Compliance \(PDF\)](#)

Agency Certification

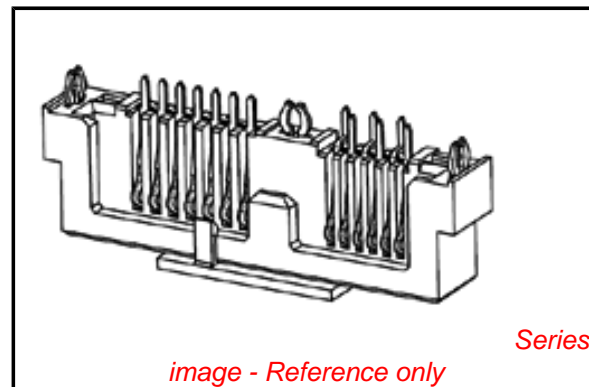
CSA LR 19980
 UL E29179

General

Product Family PCB Headers
 Series 47628
 Application Board-to-Board
 Comments Through Hole Type
 Overview [slimline serial ata odd connectors](#)
 Product Name Serial ATA, Slimline Serial ATA

Physical

Breakaway No
 Circuits (Loaded) 13
 Circuits (maximum) 13
 Durability (mating cycles max) 500
 First Mate / Last Break Yes
 Flammability 94V-0
 Glow-Wire Compliant No
 Guide to Mating Part Yes
 Keying to Mating Part Yes
 Lock to Mating Part No
 Material - Metal Copper Alloy
 Material - Plating Mating Gold
 Material - Plating Termination Tin
 Material - Resin High Temperature Thermoplastic
 Number of Rows 1
 Orientation Vertical
 PCB Locator Yes
 PCB Retention Yes
 PCB Thickness Recommended (in) 0.050 In
 PCB Thickness Recommended (mm) 1.20 mm
 Packaging Type Embossed Tape on Reel
 Pitch - Mating Interface (in) 0.039 In, 0.050 In
 Pitch - Mating Interface (mm) 1.00 mm, 1.27 mm
 Pitch - Term. Interface (in) 0.039 In, 0.050 In
 Pitch - Term. Interface (mm) 1.00 mm, 1.27 mm
 Plating min: Mating (µin) 30
 Plating min: Mating (µm) 0.76
 Plating min: Termination (µin) 39
 Plating min: Termination (µm) 1
 Polarized to Mating Part Yes
 Polarized to PCB Yes
 Stackable No



EU RoHS

ELV and RoHS Compliant
REACH SVHC Contains SVHC: No
Halogen-Free Status

China RoHS



Need more information on product environmental compliance?

Email productcompliance@molex.com
 For a multiple part number RoHS Certificate of Compliance, [click here](#)

Please visit the [Contact Us](#) section for any non-product compliance questions.

Search Parts in this Series

47628Series

Mates With

476393x00 Slimline SATA Receptacle

Temperature Range - Operating -35°C to +85°C
Termination Interface: Style Through Hole

Electrical

Current - Maximum per Contact 1.5A
Voltage - Maximum 15V DC

Solder Process Data

Duration at Max. Process Temperature (seconds) 20
Lead-free Process Capability Reflow Capable (SMT only)
Max. Cycles at Max. Process Temperature 1
Process Temperature max. C 260

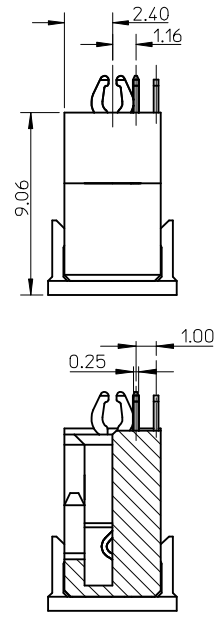
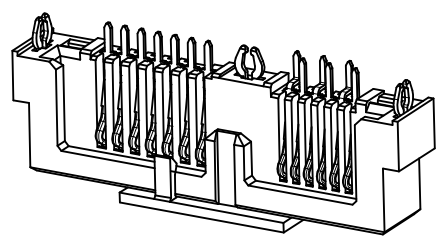
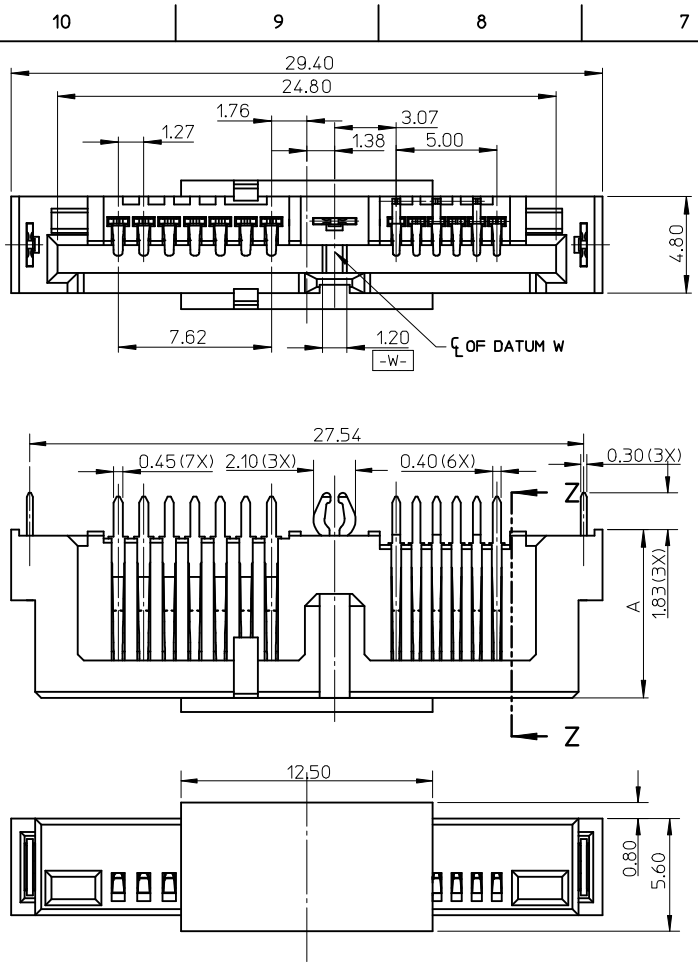
Material Info

Reference - Drawing Numbers

Packaging Specification PK-47628-012
Product Specification PS-47628-001
Sales Drawing SD-47628-200, SD-47639-400

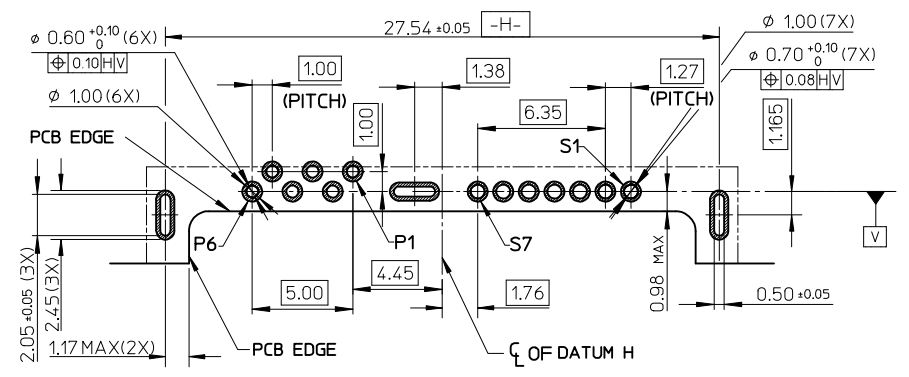
This document was generated on 05/26/2010

PLEASE CHECK WWW.MOLEX.COM FOR LATEST PART INFORMATION



SECTION Z-Z

- NOTES :
- MATERIAL :
 - HOUSING : HIGH TEMPERATURE THERMOPLASTIC, UL94V-0, BLACK
 - TERMINAL : COPPER ALLOY
 - FORKLOCK : COPPER ALLOY
 - PLATING :
 - TERMINAL :
 - CONTACT AREA : GOLD PLATING SPEC REFER TO CHART.
 - SOLDER AREA : TIN PLATING 1 MICRONS MIN.
 - UNDERPLATING : NICKEL PLATING 1.25 MICRONS MIN.
 - FORKLOCK :
 - TIN PLATING 1 MICRONS MIN. OVER NICKEL PLATING 1 MICRONS MIN.
 - PACKAGE: TAPE REEL, PK-47628-012.
 - PRODUCT SPEC: PS-47628-001.
 - THE PRODUCT COMPLIANT TO RoHS DIRECTIVES 2002/95/EC AND ELV 2000/53/EC.



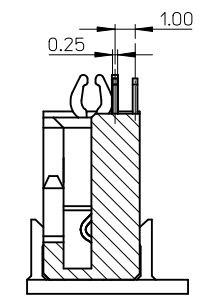
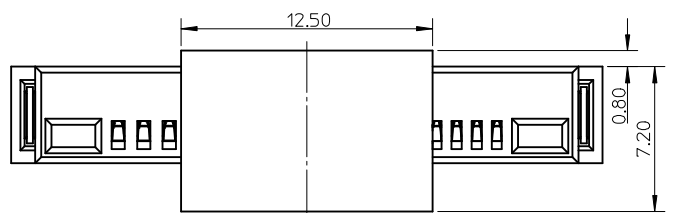
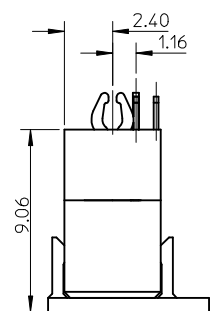
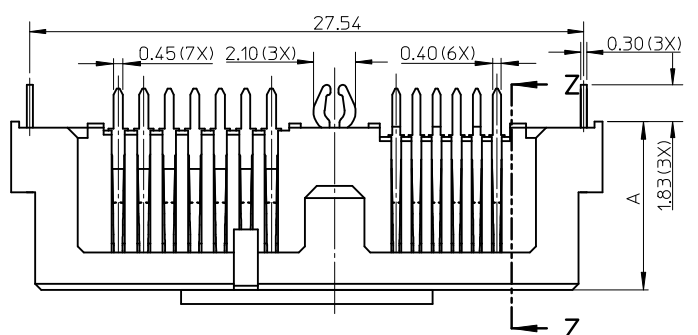
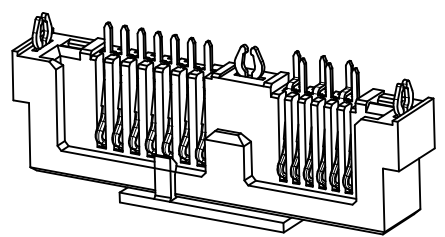
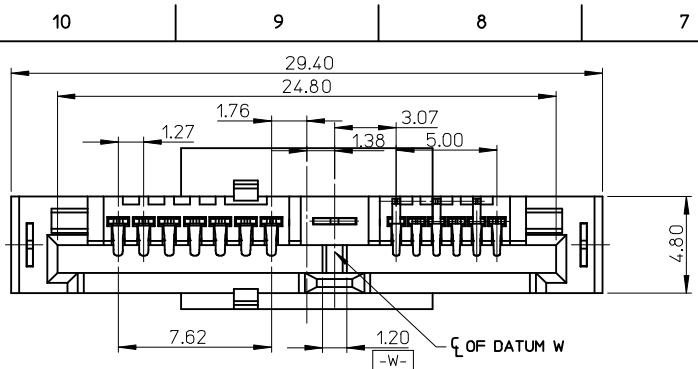
RECOMMENDED PCB LAYOUT (COMPONENT SIDE)

PCB THICKNESS = 1.2MM ± 0.05MM

P/N	CONTACT GOLD PLATING SPEC	DIM'A'
47628-1012	0.76 MICRONS MIN	8.36
47628-1112	0.38 MICRONS MIN	
47628-1212	0.10 MICRONS MIN	
N/A		8.56
N/A		8.76
N/A		8.96
N/A		9.16
N/A		9.36
N/A		9.56
N/A		9.76
N/A		9.96
N/A		10.16
N/A		10.36
N/A		10.56
N/A		10.76
N/A		10.96

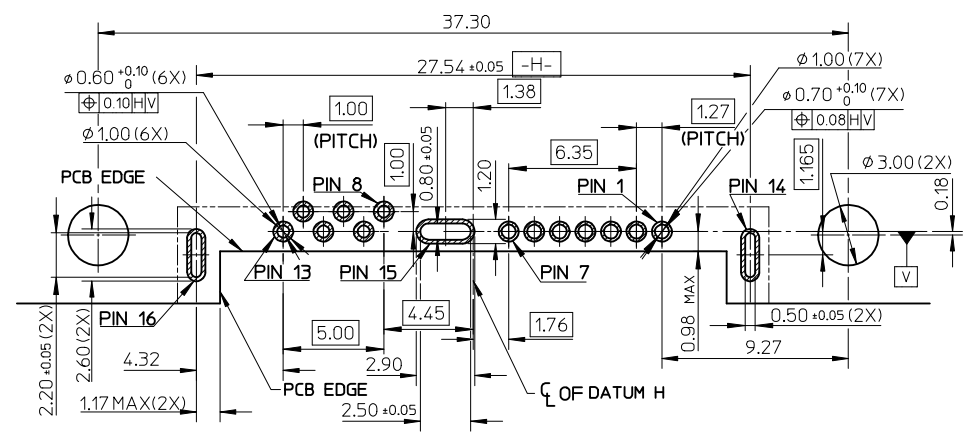
REVISED EC NO: SH2010-0070 DRW: NIGLI CHK: XJ SONG APPR: RZHANG 2009/08/21 2009/08/21 2009/09/23	QUALITY SYMBOLS ▽=0 ▽=0	GENERAL TOLERANCES (UNLESS SPECIFIED)		DIMENSION STYLE MM ONLY	SCALE 4:1	DESIGN UNITS METRIC	THIRD ANGLE PROJECTION		
		4 PLACES ± --- ± --- 3 PLACES ± --- ± --- 2 PLACES ± 0.15 ± --- 1 PLACE ± 0.25 ± ---	mm INCH	DRAWN BY DIXON LI	DATE 2007/11/23	TITLE HEADER OF 2 PIECES SLIMLINE SATA VERTICAL, DIP TYPE			
		ANGULAR ± 3 °		CHECKED BY JOHNSON TIAN	DATE 2007/11/23	MOLEX INCORPORATED			
		DRAFT WHERE APPLICABLE MUST REMAIN WITHIN DIMENSIONS		APPROVED BY HARVEY WANG	DATE 2007/11/23	MATERIAL NO. SEE CHART	DOCUMENT NO. SD-47628-200	SHEET NO. 1 OF 1	

THIS DRAWING CONTAINS INFORMATION THAT IS PROPRIETARY TO MOLEX INCORPORATED AND SHOULD NOT BE USED WITHOUT WRITTEN PERMISSION



SECTION Z-Z

- NOTES :
- MATERIAL :
HOUSING : HIGH TEMPERATURE THERMOPLASTIC, UL94V-0, BLACK
TERMINAL : COPPER ALLOY
FORKLOCK : COPPER ALLOY
 - PLATING :
TERMINAL :
CONTACT AREA : GOLD PLATING SPEC REFER TO CHART.
SOLDER AREA : MATTE TIN PLATING 1 MICRONS MIN.
UNDERPLATING : NICKEL PLATING 1.25 MICRONS MIN.
FORKLOCK :
MATTE TIN PLATING 1 MICRONS MIN. OVER NICKEL PLATING 1 MICRONS MIN.
 - PACKAGE: TAPE REEL, PK-47628-012.
 - PRODUCT SPEC: PS-47628-001.
 - THE PRODUCT COMPLIANT TO RoHS DIRECTIVES 2002/95/EC AND ELV 2000/53/EC.



RECOMMENDED PCB LAYOUT (COMPONENT SIDE)

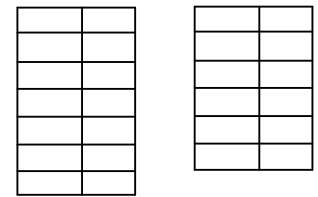
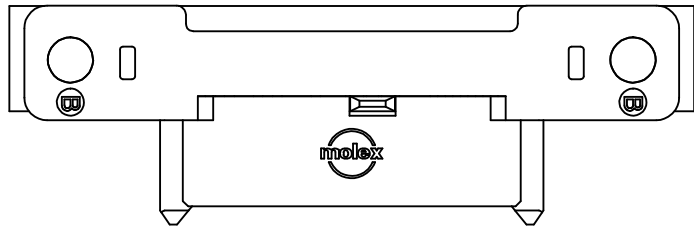
PCB THICKNESS = 1.2MM ± 0.05MM

P/N	CONTACT GOLD PLATING SPEC	DIM'A'
47628-1012	0.76 MICRONS MIN	8.36
47628-1112	0.38 MICRONS MIN	
47628-1212	0.10 MICRONS MIN	
N/A		8.56
N/A		8.76
N/A		8.96
N/A		9.16
N/A		9.36
N/A		9.56
N/A		9.76
N/A		9.96
N/A		10.16
N/A		10.36
N/A		10.56
N/A		10.76
N/A		10.96

RTM EC NO: SH2010-0070 DRW: NIGLLI CHK: XJ SONG APPR: RZHANG	QUALITY SYMBOLS ▽=0 ∇=0	GENERAL TOLERANCES (UNLESS SPECIFIED)		DIMENSION STYLE	SCALE	DESIGN UNITS	THIRD ANGLE PROJECTION
		mm	INCH	MM ONLY	4:1	METRIC	
		4 PLACES ± ---	± ---	DRAWN BY	DATE	TITLE	
		3 PLACES ± ---	± ---	DIXON LI	2008/11/27	2 PIECES SLIMLINE SATA BOTTOM MOUNT TYPE (HEADER)	
2 PLACES ± 0.15	± ---	CHECKED BY	DATE	MOLEX INCORPORATED			
1 PLACE ± 0.25	± ---	STARY SONG	2008/11/27	SD-47639-400			
ANGULAR ± 3°		APPROVED BY	DATE	SHEET NO.			
		HARVEY WANG	2008/11/27	1 OF 2			
		MATERIAL NO.					
		SEE CHART					
		DRAFT WHERE APPLICABLE MUST REMAIN WITHIN DIMENSIONS		THIS DRAWING CONTAINS INFORMATION THAT IS PROPRIETARY TO MOLEX INCORPORATED AND SHOULD NOT BE USED WITHOUT WRITTEN PERMISSION			

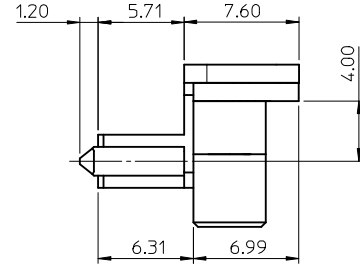
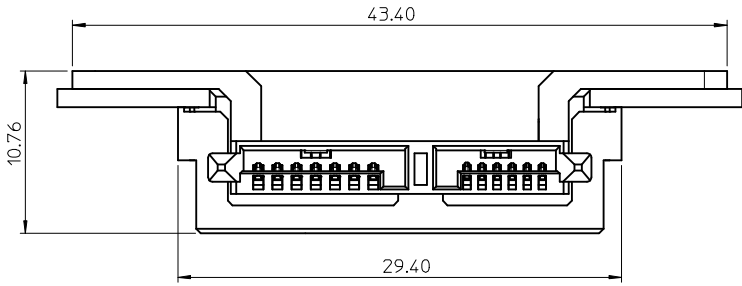
10 9 8 7 6 5 4 3 2 1

F



F

E



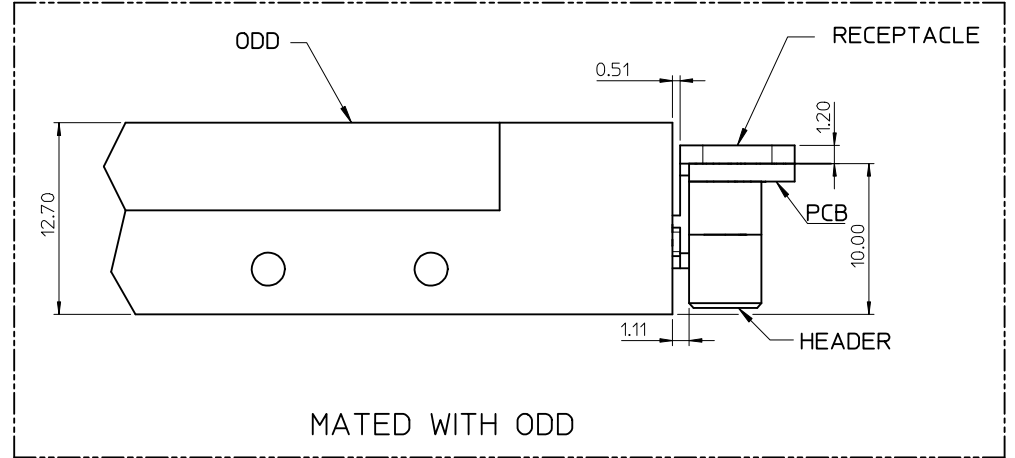
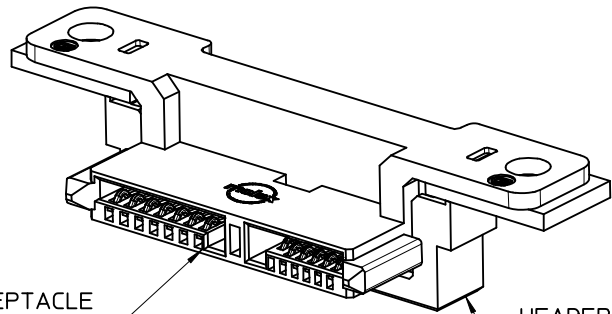
E

D

D

C

C



RECEPTACLE
(47639-3*00)

HEADER
(47628-1*12)

MATED WITH ODD

A

A

RTM EC NO: SH2010-0070 DRWNG:LLI 2009/08/21 CHKD:XJSONG 2009/08/21 APPR:RZHANG 2009/09/23	QUALITY SYMBOLS	GENERAL TOLERANCES (UNLESS SPECIFIED)		DIMENSION STYLE MM ONLY		SCALE 3:1	DESIGN UNITS METRIC	THIRD ANGLE PROJECTION
	▼=0 ◻=0	4 PLACES ± --- ± --- 3 PLACES ± --- ± --- 2 PLACES ± 0.15 ± --- 1 PLACE ± 0.25 ± ---	mm INCH ± --- ± --- ± 0.15 ± --- ± 0.25 ± ---	DRAWN BY DATE DIXON LI 2008/11/27	TITLE		2 PIECES SLIMLINE SATA BOTTOM MOUNT TYPE (ASSEMBLY)	
		ANGULAR ± 3 °	CHECKED BY DATE STARY SONG 2008/11/27	APPROVED BY DATE		MOLEX MOLEX INCORPORATED		
		DRAFT WHERE APPLICABLE MUST REMAIN WITHIN DIMENSIONS	MATERIAL NO. SEE REMARK	HARVEY WANG 2008/11/27		DOCUMENT NO. SD-47639-400		SHEET NO. 2 OF 2

9 8 7 6 5 4 3 2 1