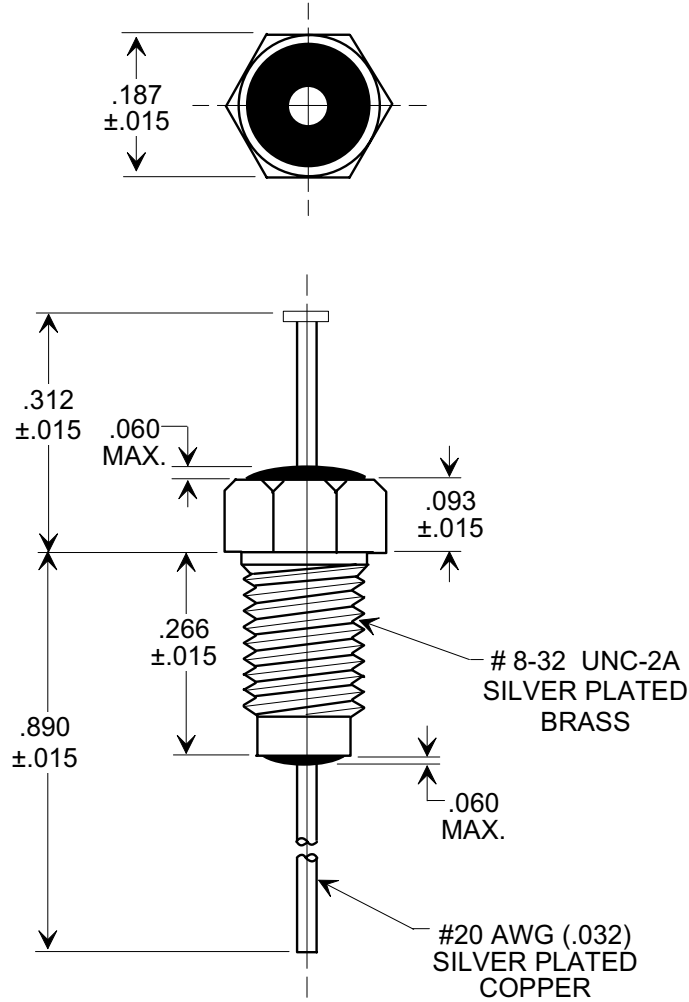


**MARKETING SALES DRAWING**  
**DIMENSIONS IN INCHES - DO NOT SCALE THIS DRAWING**

Electrical Testing  
 per Tusonix standard  
 test plans and Mil-Std-202  
 Test Methods.



NOTE:  
 1. SUPPLIED WITH SILVERPLATED  
 HEX NUT AND INTERNAL TOOTH  
 LOCKWASHER.

3500 ±1000	200	100	10	5	50	50	50
	85°C	125°C		10 MHz	200 MHz	1 GHz	10 GHz
CAP. (pF)	WORKING VOLTAGE (WVdc)		CURRENT (Adc)	MINIMUM NO LOAD INSERTION LOSS (dB) AT 25°C PER MIL-STD -220			

X-2015 Rev-0 <b>REVISION RECORD</b> Original Release C.O. 970826-7 <b>0</b>	--TOLERANCES-- Unless Otherwise Specified		Title <b>BUSHING MOUNT                  PI TYPE                  EMI FILTER</b>	
	DECIMAL ± // //		Drawn S.M. 08-26-97 Scale 4 X	
	ANGLES ± // //		Approved J.Mc. 08-26-97	
	<b>TUSONIX</b> TUCSON, ARIZONA		<b>A</b>	<b>4201-015</b>