

FEATURES AND SPECIFICATIONS

Features and Benefits

- Sizes 2 to 24 circuits available
- Optional voided circuits available
- Various pin lengths available (contact Molex)
- May be purchased in full 24 circuit sticks and broken into required circuit sizes

Reference Information

Product Specification: PS-41186/08-50

Packaging: Bag

Tooling Information: See cutting tool section

UL File No.: E29179

CSA File No.: LR19980

TUV File No.: R75108

Mates With: [2139](#), [2145](#), [6442](#), [7674](#), [7675](#), [41695](#)
and [41815](#)

Designed In: Inches

Electrical

Voltage: 250V AC max.

Current: 7.0A max.*

Contact Resistance: 6mΩ max.

Dielectric Withstanding Voltage: 1500V

Insulation Resistance: 50K MΩ min.

Mechanical

Durability:

Tin—25 cycles max.

Gold—100 cycles max.

Physical

Housing: Black glass-filled polyester, UL 94V-0

Contact: Brass, 1.14mm (.045") pins

Plating: See Table

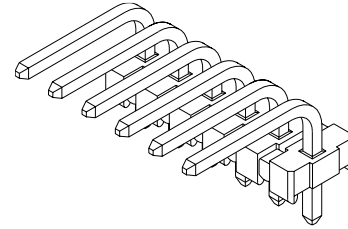
Operating Temperature: 0 to +75°C

molex® **3.96mm (.156") Pitch**
KK®

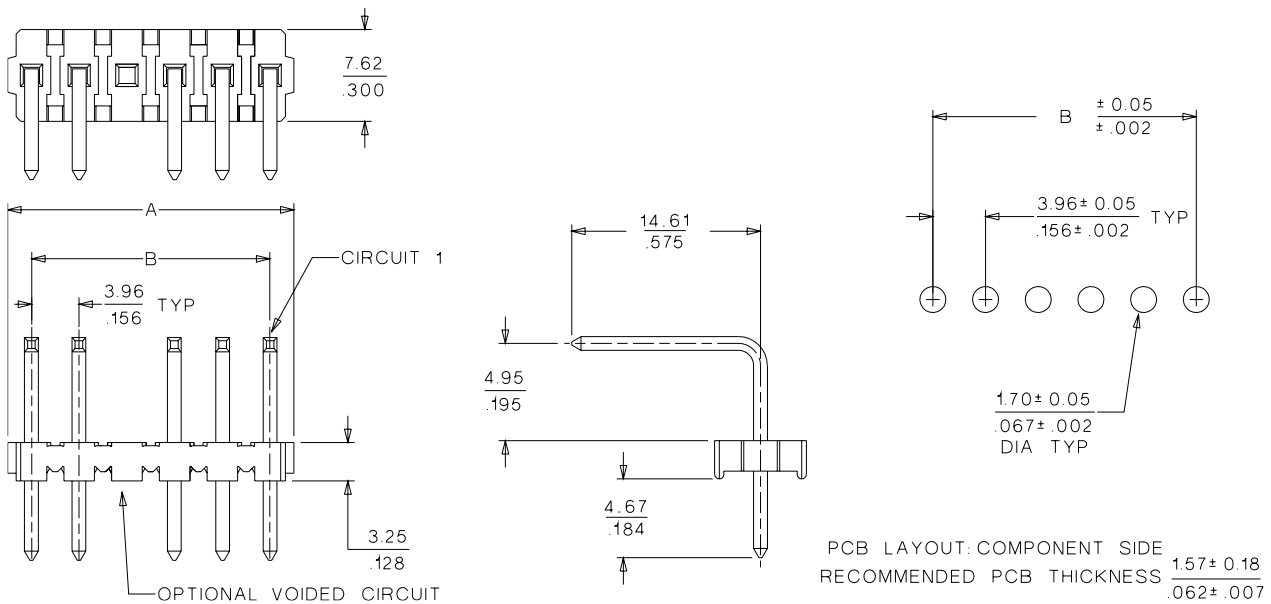
Breakaway Header

41662

Right Angle



CATALOG DRAWING (FOR REFERENCE ONLY)



3.00 to 7.92mm (.118 to .312") Pitch

ORDERING INFORMATION AND DIMENSIONS

| Circuits | Order No. | | | | Dimension | |
|----------|------------|------------------|------------------|--------------|---------------|---------------|
| | Tin | 15μ" Select Gold | 30μ" Select Gold | Overall Gold | A | B |
| 2 | 26-48-1022 | 41662-0001 | 41662-0024 | 26-48-2022 | 6.78 (.267) | 3.96 (.156) |
| 3 | 26-48-1032 | 41662-0002 | 41662-0025 | 26-48-2032 | 10.74 (.423) | 7.92 (.312) |
| 4 | 26-48-1042 | 41662-0003 | 41662-0026 | 26-48-2042 | 14.71 (.579) | 11.89 (.468) |
| 5 | 26-48-1052 | 41662-0004 | 41662-0027 | 26-48-2052 | 18.67 (.735) | 15.85 (.624) |
| 6 | 26-48-1062 | 41662-0005 | 41662-0028 | 26-48-2062 | 22.63 (.891) | 19.81 (.780) |
| 7 | 26-48-1072 | 41662-0006 | 41662-0029 | 26-48-2072 | 26.59 (1.047) | 23.77 (.936) |
| 8 | 26-48-1082 | 41662-0007 | 41662-0030 | 26-48-2082 | 30.56 (1.203) | 27.74 (1.092) |
| 9 | 26-48-1092 | 41662-0008 | 41662-0031 | 26-48-2092 | 34.52 (1.359) | 31.71 (1.248) |
| 10 | 26-48-1102 | 41662-0009 | 41662-0032 | 26-48-2102 | 38.48 (1.515) | 35.66 (1.404) |
| 11 | 26-48-1112 | 41662-0010 | 41662-0033 | 26-48-2112 | 42.44 (1.671) | 39.62 (1.560) |
| 12 | 26-48-1122 | 41662-0011 | 41662-0034 | 26-48-2122 | 46.41 (1.827) | 43.59 (1.716) |
| 13 | 26-48-1132 | 41662-0012 | 41662-0035 | 26-48-2132 | 50.37 (1.983) | 47.55 (1.872) |

| Circuits | Order No. | | | | Dimension | |
|----------|------------|------------------|------------------|--------------|---------------|---------------|
| | Tin | 15μ" Select Gold | 30μ" Select Gold | Overall Gold | A | B |
| 14 | 26-48-1142 | 41662-0013 | 41662-0036 | 26-48-2142 | 54.33 (2.139) | 51.51 (2.028) |
| 15 | 26-48-1152 | 41662-0014 | 41662-0037 | 26-48-2152 | 58.29 (2.295) | 55.47 (2.184) |
| 16 | 26-48-1162 | 41662-0015 | 41662-0038 | 26-48-2162 | 62.26 (2.451) | 59.44 (2.340) |
| 17 | 26-48-1172 | 41662-0016 | 41662-0039 | 26-48-2172 | 66.22 (2.607) | 63.40 (2.496) |
| 18 | 26-48-1182 | 41662-0017 | 41662-0040 | 26-48-2182 | 70.18 (2.763) | 67.36 (2.652) |
| 19 | 26-48-1192 | 41662-0018 | 41662-0041 | 26-48-2192 | 74.14 (2.919) | 71.32 (2.808) |
| 20 | 26-48-1202 | 41662-0019 | 41662-0042 | 26-48-2202 | 78.11 (3.075) | 75.29 (2.964) |
| 21 | 26-48-1212 | 41662-0020 | 41662-0043 | 26-48-2212 | 82.07 (3.231) | 79.25 (3.120) |
| 22 | 26-48-1222 | 41662-0021 | 41662-0044 | 26-48-2222 | 86.03 (3.387) | 83.21 (3.276) |
| 23 | 26-48-1232 | 41662-0022 | 41662-0045 | 26-48-2232 | 89.94 (3.541) | 87.17 (3.432) |
| 24 | 26-48-1242 | 41662-0023 | 41662-0046 | 26-48-2242 | 93.85 (3.695) | 91.14 (3.588) |

* Dependent upon connector and PC board

Note: Circuit number designation is for ordering purposes only, check corresponding circuit designation on mating connector