

PLEASE CHECK WWW.MOLEX.COM FOR LATEST PART INFORMATION

Part Number: [0496251182](#)
Status: **Active**
Description: 4.20mm (.165") Wire-to-Wire Upper TPA™ for Male Housing, 11 Circuits

Documents:

[Drawing \(PDF\)](#) [RoHS Certificate of Compliance \(PDF\)](#)

General

Product Family	Crimp Housings
Series	49625
Product Name	N/A

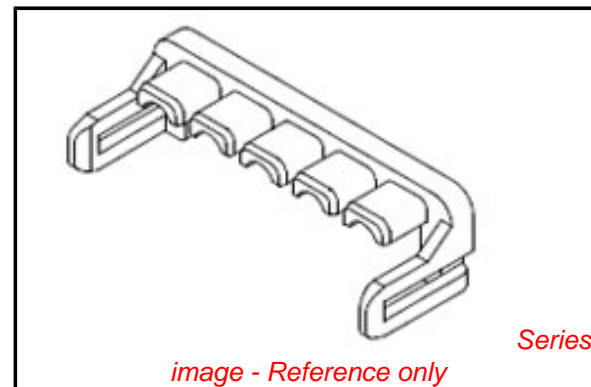
Physical

Circuits (maximum)	11
Circuits Detail	11
Color - Resin	Red
Gender	Male
Glow-Wire Compliant	No
Keying to Mating Part	None
Lock to Mating Part	Yes
Material - Resin	Nylon
Number of Rows	1
Packaging Type	Bag
Panel Mount	No
Pitch - Mating Interface (in)	0.165 In
Pitch - Mating Interface (mm)	4.20 mm
Polarized to Mating Part	Yes
Stackable	No
Temperature Range - Operating	-40°C to +105°C

Material Info

Reference - Drawing Numbers

Sales Drawing	SD-49625-001
---------------	--------------



EU RoHS

ELV and RoHS Compliant
REACH SVHC Contains SVHC: No
Halogen-Free Status

China RoHS



Need more information on product environmental compliance?

Email productcompliance@molex.com
 For a multiple part number RoHS Certificate of Compliance, [click here](#)

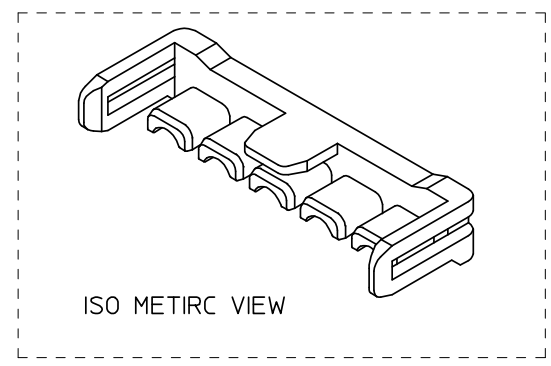
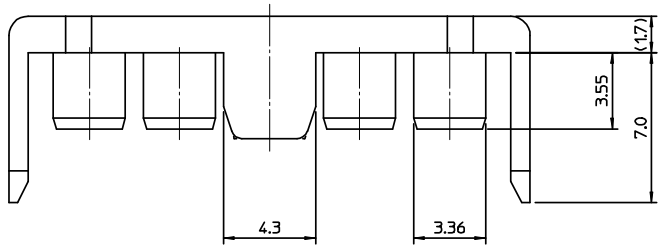
Please visit the [Contact Us](#) section for any non-product compliance questions.

Search Parts in this Series

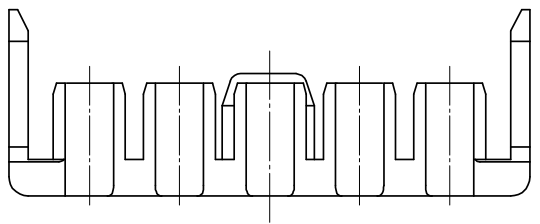
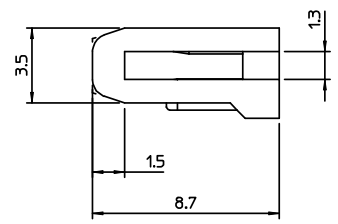
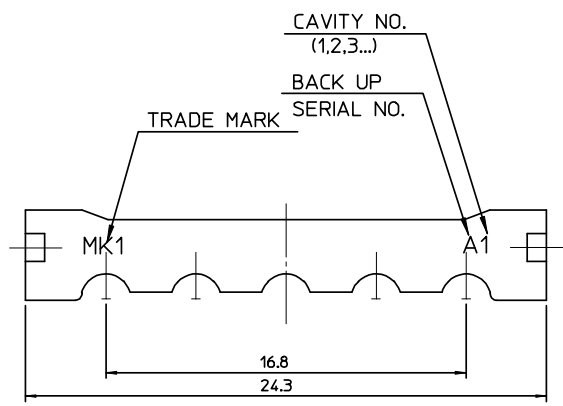
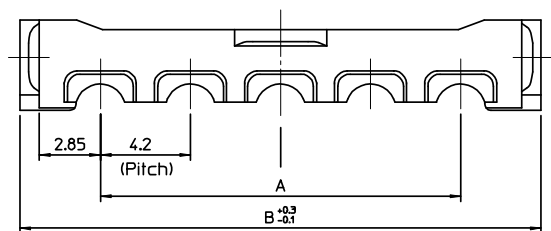
[49625Series](#)

Mates With

4.20mm (.165") Wire-to-Wire Male TPA™
[49623](#)



ISO METRIC VIEW



-TABLE-

49625-1182	496251182	42	49.5	11
49625-1082	496251082	37.8	45.3	10
49625-0982	496250982	33.6	41.1	09
49625-0682	496250682	21.0	28.5	06
49625-0582	496250582	16.8	24.3	05
49625-0382	496250382	8.4	15.9	03
ENG NO.	MATREIAL NO.	A	B	CIRCUIT

NOTES

1. MATERIAL : POLYAMIDE(PA66), GLASS FILLED, UL94V-HB
COLOR : RED
2. APPLICABLE TERMINAL : 5558 T2A SERIES.
5558 T SERIES.
3. MATED WITH HOUSING : 49623-**90 SERIES.
4. PRODUCT SPECIFICATION : PS-49623-001.

RELEASED EC NO: KOR2008-0134 DRWN:SKHAN01 2008/02/27 CHKD:WY YANG 2008/02/29 APPR:YUNS.IKK.IM 2008/02/29	DESCRIPTION REV A	QUALITY SYMBOLS ▽=0 ▽=0	GENERAL TOLERANCES (UNLESS SPECIFIED) <table border="1"> <tr> <td></td> <td>mm</td> <td>INCH</td> </tr> <tr> <td>4 PLACES</td> <td>± ---</td> <td>± ---</td> </tr> <tr> <td>3 PLACES</td> <td>± ---</td> <td>± ---</td> </tr> <tr> <td>2 PLACES</td> <td>± 0.3</td> <td>± ---</td> </tr> <tr> <td>1 PLACE</td> <td>± 0.3</td> <td>± ---</td> </tr> </table>		mm	INCH	4 PLACES	± ---	± ---	3 PLACES	± ---	± ---	2 PLACES	± 0.3	± ---	1 PLACE	± 0.3	± ---	DIMENSION STYLE MM ONLY DRAWN BY SK.HAN DATE 2008/01/29 CHECKED BY WY.YANG DATE 2008/01/29 APPROVED BY EH.JUNG DATE 2008/01/29	SCALE 4:1 DESIGN UNITS METRIC TITLE 4.2MM W/W TPA CONN. UPPER TPA FOR MALE HOUSING	THIRD ANGLE PROJECTION
			mm	INCH																	
		4 PLACES	± ---	± ---																	
		3 PLACES	± ---	± ---																	
2 PLACES	± 0.3	± ---																			
1 PLACE	± 0.3	± ---																			
DRAFT WHERE APPLICABLE MUST REMAIN WITHIN DIMENSIONS	MATERIAL NO. SEE TABLE	DOCUMENT NO. SD-49625-001	SHEET NO. 1 OF 1																		
SIZE A3	THIS DRAWING CONTAINS INFORMATION THAT IS PROPRIETARY TO MOLEX INCORPORATED AND SHOULD NOT BE USED WITHOUT WRITTEN PERMISSION																				