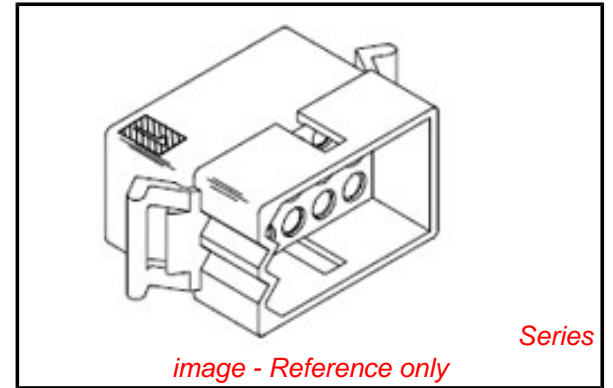


PLEASE CHECK WWW.MOLEX.COM FOR LATEST PART INFORMATION

Part Number: [0003092151](#)
Status: **Active**
Overview: [standard_093](#)
Description: 2.36mm (.093") Diameter Standard .093 Pin and Socket Plug Housing, 15 Circuits, 3 Rows, without Panel Mount Ears, with Pull Tabs, without Passive Lock Windows

Documents:

3D Model	Product Specification PS-1375-001 (PDF)
Packaging Specification (PDF)	Product Specification PS-1375-002 (PDF)
Drawing (PDF)	Product Specification PS-42477 (PDF)
Product Specification PS-02-09 (PDF)	RoHS Certificate of Compliance (PDF)



Agency Certification

CSA	LR19980
UL	E29179

General

Product Family	Crimp Housings
Series	1375
Comments	12.5A max. can be achieved when housing is used with 42477 or 42478 terminals
Overview	standard_093
Product Name	Standard .093"

Physical

Circuits (maximum)	15
Color - Resin	Natural
Flammability	94V-2
Gender	Dual
Glow-Wire Compliant	No
Lock to Mating Part	None
Material - Resin	Nylon
Number of Rows	3
Packaging Type	Bag
Panel Mount	No
Pitch - Mating Interface (in)	0.198 In
Pitch - Mating Interface (mm)	5.03 mm
Stackable	No
Temperature Range - Operating	-40°C to +105°C

Electrical

Current - Maximum per Contact	9.5A
-------------------------------	------

Material Info

Old Part Number	1375-P
-----------------	--------

Reference - Drawing Numbers

Packaging Specification	PK-1375-001
Product Specification	PS-02-09, PS-1375-001, PS-1375-002, PS-42477
Sales Drawing	SD-1375-*

EU RoHS

ELV and RoHS Compliant
REACH SVHC Contains SVHC: No
Halogen-Free Status
Not Reviewed

China RoHS



Need more information on product environmental compliance?

Email productcompliance@molex.com
 For a multiple part number RoHS Certificate of Compliance, [click here](#)

Please visit the [Contact Us](#) section for any non-product compliance questions.

Search Parts in this Series

[1375Series](#)

Mates With

[03091151](#) , [03091152](#)

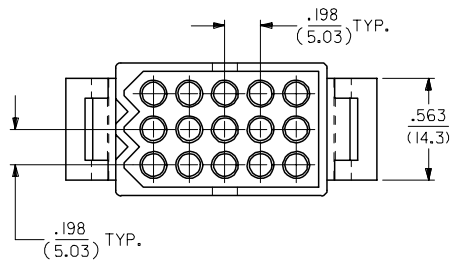
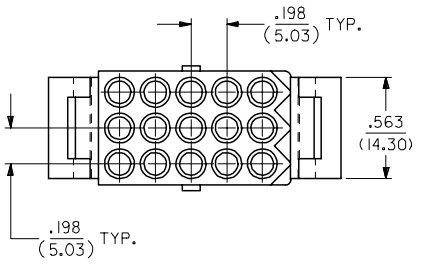
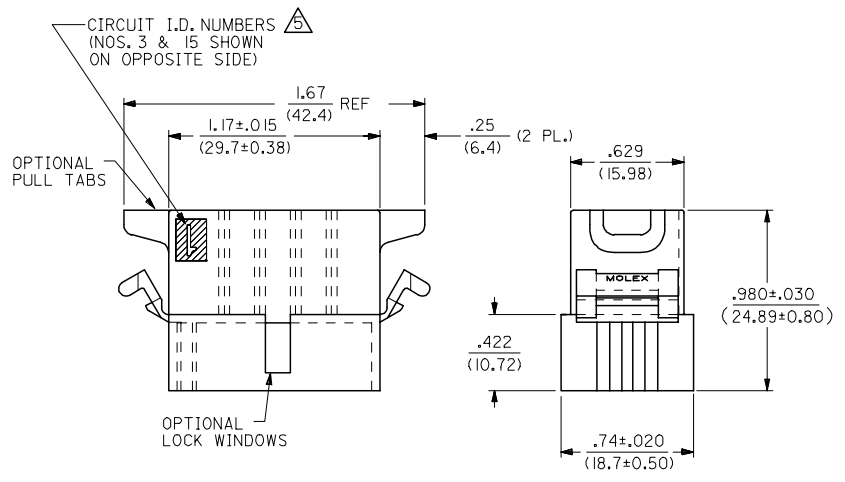
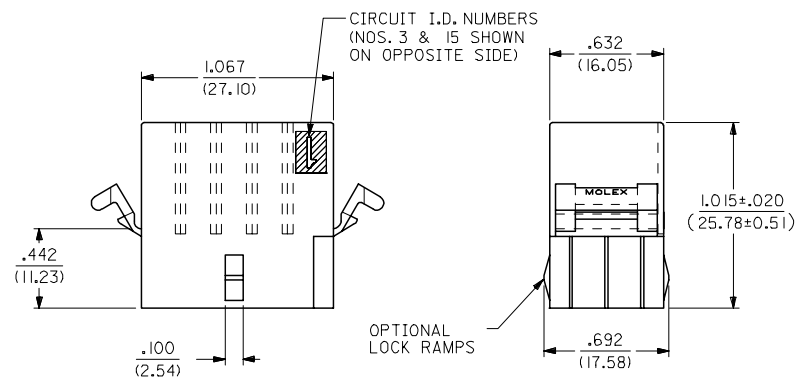
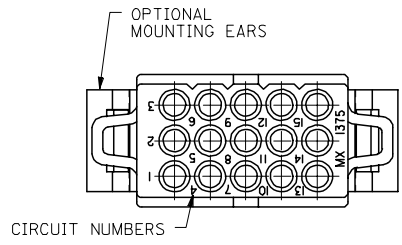
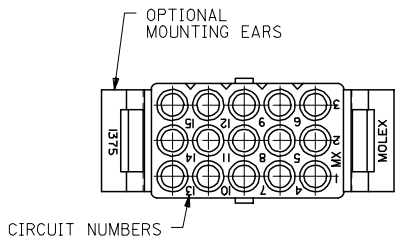
Use With

[1189](#) Crimp Terminals, [1190](#) Crimp Terminals, [1376](#) Male PC Tail Terminals, [1377](#) Female PC Tail Terminals, [1380](#) Male Crimp Terminals, [1381](#) Female Crimp Terminals, [1433](#) Crimp Terminals, [1434](#) Male Crimp Terminals, [1973](#) , [2151](#) , [2273](#) , [2870](#) , [2871](#) , [4272](#) , [4550](#) , [6271](#) , [6310](#) , [42477](#) , [42478](#)

13 12 11 10 9 8 7 6 5 4 3 2 1

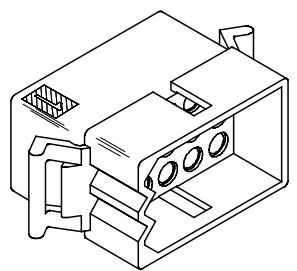
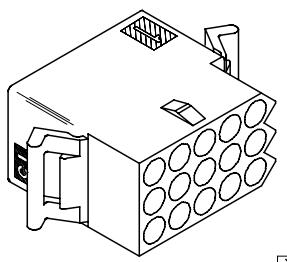
J
I
H
G
F
E
D
C
B
A

J
I
H
G
F
E
D
C
B
A



RECEPTACLE

PLUG



UPDATE TITLE BLOCK EC NO: UCP2007-2415 DRWNAELHAG 2007/04/17 CHKD:LSHMDT 2007/05/03 APPR:FSMTH 2007/05/03	QUALITY SYMBOLS ▽=0 ▽=0	GENERAL TOLERANCES (UNLESS SPECIFIED)		DIMENSION STYLE		SCALE	DESIGN UNITS	THIRD ANGLE PROJECTION			
				IN/MM		2:1	INCH				
						DRAWN BY		DATE	.093/(2.36) HOUSINGS PLUG & RECEPTACLE 15 CIRCUIT, .198/(5.03)CL		
						KBW		01/14/1989			
				CHECKED BY		DATE	MOLEX INCORPORATED				
				RW		01/14/1989					
				APPROVED BY		DATE	MATERIAL NO. DOCUMENT NO. SHEET NO. SEE CHART SD-1375-* 1 OF 2				
				RAS		01/14/1989					
				MATERIAL NO.							
				DRAFT WHERE APPLICABLE MUST REMAIN WITHIN DIMENSIONS							

12 11 10 9 8 7 6 5 4 3 2 1

PLUG			RECEPTACLE			
ORDER NO	ENG NO	PACKAGING	ORDER NO	ENG NO	PACKAGING	
03-09-2151	I375-P	PK-1375-001	03-09-1151	I375-R	PK-1375-001	
03-09-2159	I375-P4	PK-1375-002	03-09-1152	I375-R1	PK-1375-001	
03-09-2158	I375-P7	PK-1375-001	03-09-1154	I375-R6	PK-1375-001	
03-09-7158	I375-P7BK	PK-1375-001	OBSOL.	03-09-1157	I375-R6-1	PK-1375-001
				03-09-6154	I375-R6BK	PK-1375-001

LEGEND FOR PLUG:

1375-P***

OPTIONS: _____

BLANK = W/O EARS, W/ PULL TABS, W/O LOCK WINDOWS
 2 = W/ STANDARD EARS, W/O PULL TABS, W/O LOCK WINDOWS
 4 = W/ PREBENT EARS, W/O PULL TABS, W/ LOCK WINDOWS
 6 = W/O EARS, W/O PULL TABS, W/ LOCK WINDOWS
 7 = W/O EARS, W/ PULL TABS, W/ LOCK WINDOWS
 8 = W/ PREBENT EARS, W/O PULL TABS, W/O LOCK WINDOWS

COLOR: _____

BLANK = NATURAL COLOR
 AM = AMBER BK = BLACK BU = BLUE
 BN = BROWN GY = GRAY GN = GREEN
 OR = ORANGE RD = RED YW = YELLOW

LEGEND FOR RECEPTACLE:

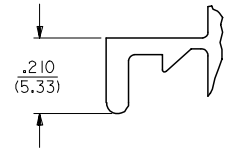
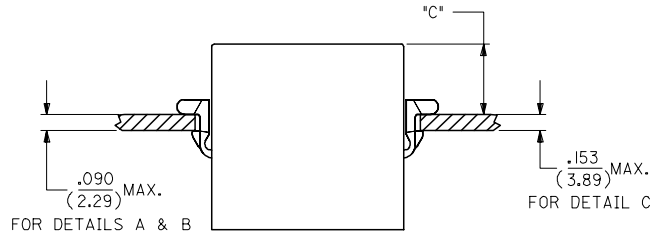
I375-R***

OPTIONS: _____

BLANK = W/ PREBENT EARS, W/O LOCK RAMPS
 1 = W/O EARS, W/O LOCK RAMPS
 6 = W/ STANDARD EARS & LOCK RAMPS
 6-1 = W/O EARS, W/ LOCK RAMPS

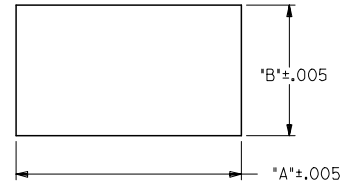
COLOR: _____

BLANK = NATURAL COLOR
 AM = AMBER BK = BLACK BU = BLUE
 BN = BROWN GY = GRAY GN = GREEN
 OR = ORANGE RD = RED YW = YELLOW



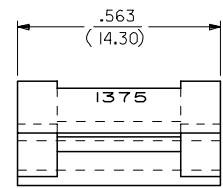
DETAIL A

.093/(2.36) STANDARD MOUNTING EAR
(SCALE 4:1)



RECOMMENDED PANEL OPENING

HOUSING	DIM. "A"	DIM. "B"	"C" PREBENT EAR	"C" STANDARD EAR	"C" SPECIAL EAR
PLUG	1.343/(34.11)	.760/(19.30)	.40/(10.2)	.36/(9.1)	
RECEPT. W/ RAMPS	1.240/(31.50)	.725/(18.42)	.41/(10.4)	.37/(9.4)	.31/(7.8)
RECEPT. W/O RAMPS	1.240/(31.50)	.655/(16.64)	.41/(10.4)	.37/(9.4)	.31/(7.8)



DETAIL B

.093/(2.36)PREBENT MOUNTING EAR
(SCALE 4:1)

NOTES :

- MATERIAL : NYLON TYPE 6/6, 94V-2.
- FINISH : NONE.
- PRODUCT SPECIFICATION : PS-02-09.
- PACKAGING INFORMATION : SEE CHART.
- ETCHED CIRCUIT I.D. NUMBERS ON SIDE OF HOUSINGS TO BE PRESENT ON PARTS FROM TOOLS BUILT AFTER 2/28/94.
- PARTS CONFORM TO CLASS B REQUIREMENTS OF COSMETIC SPECIFICATION PS-45499-002.

ADD NOTES 2, 4 & 6 EC NO: UCP2007-2415 DRWNAELHAG 2007/04/17 CHKD:LSHMT 2007/05/03 APPR:FSM TH 2007/05/03	QUALITY SYMBOLS	GENERAL TOLERANCES (UNLESS SPECIFIED)	DIMENSION STYLE	SCALE	DESIGN UNITS	THIRD ANGLE PROJECTION
	▽=0	mm INCH	IN/MM	1:1	INCH	
	▽=0	4 PLACES ± --- ± ---	DRAWN BY DATE	TITLE		
		3 PLACES ± --- ±.010	KBW 6/14/1989	.093/(2.36) HOUSINGS PLUG & RECEPTACLE 15 CIRCUIT,.198/(5.03)CL		

2 PLACES ± 0.25 ±.014	CHECKED BY DATE	MATERIAL NO.		DOCUMENT NO.		SHEET NO.
1 PLACE ± 0.35 ± ---	RW 6/14/1989	RAS 6/14/1989		SD-1375-*		2 OF 2
ANGULAR ±1/2°	APPROVED BY DATE	THIS DRAWING CONTAINS INFORMATION THAT IS PROPRIETARY TO MOLEX INCORPORATED AND SHOULD NOT BE USED WITHOUT WRITTEN PERMISSION				
		SEE CHART				