

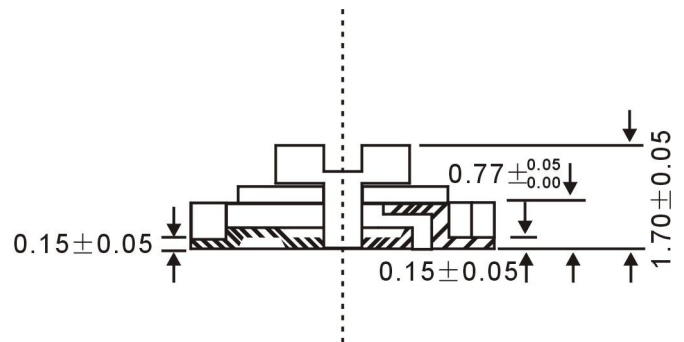
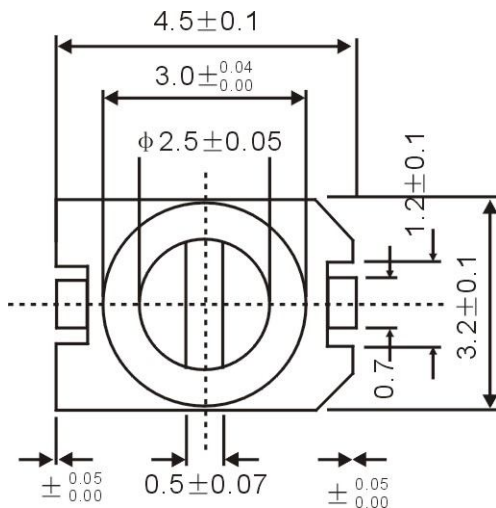
TSC3

FEATURES

- Miniature and low profile capacitors
- Color-coded case according to its capacitance range for easy visual identification.
- Mountable by an automatic placer
- Easy adjustment

SPECIFICATIONS

| | |
|---------------------------------|----------------------------|
| OPERATING TEMPERATURE RANGE | -25°C to +85°C |
| RATED WORKING VOLTAGE | 100VDC |
| DIELECTRIC WITHSTANDING VOLTAGE | 220VDC |
| INSULATION RESISTANCE | 10 ⁴ M ohm min. |
| ROTATION TORQUE | 15 ~ 100g.m |



| PART NUMBER | CAPACITANCE (pF) | | | TEMPERATURE COEFFICIENT | Q (1MHz, Cmax) (min.) | CASE COLOR |
|-------------|------------------|------|--------------|-------------------------|-----------------------|------------|
| | Minimum Max. | Max. | (+50%) (-0%) | | | |
| TSC 3-030 | 1.7 | 3.0 | | NPO ± 300 | 500 | BROWN |
| TSC 3-060 | 2.5 | 6.0 | | NPO ± 300 | 500 | BLUE |
| TSC 3-100 | 3.5 | 10.0 | | N 750 ± 300 | 500 | WHITE |
| TSC 3-200 | 5.5 | 20.0 | | N 1200 ± 500 | 300 | RED |
| TSC 3-300 | 7.5 | 30.0 | | N 1800 ± 600 | 300 | GREEN |

Note: Specification are subject to change without notice. For more detail and update, please visit our website.