

# LINE INTERFACE TRANSFORMER

Designed for use with AT&T T7264

Turns Ratio 1:1.5

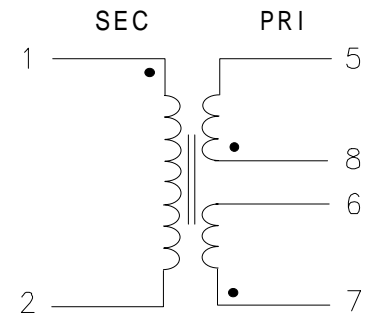
PARAMETER	MIN.	MAX.	UNITS
*Primary Inductance (Line Side) (Pins 5 + 7 short 6 + 8)	72	88	mHy
**Primary Leakage Inductance (Pins 5 + 7 short 6 + 8 & 1 +2)		300	μHy
**Interwinding Capacitance		200	pF
Primary DC Resistance		5.6	ohms
Secondary DC Resistance		13	ohms
Isolation (Hi-Pot)	1000		V <sub>RMS</sub>
DC Bias		50	mA
Longitudinal Balance	70		dB

\*Tested at 10kHz 100Mv

\*\*Tested at 100kHz 100Mv

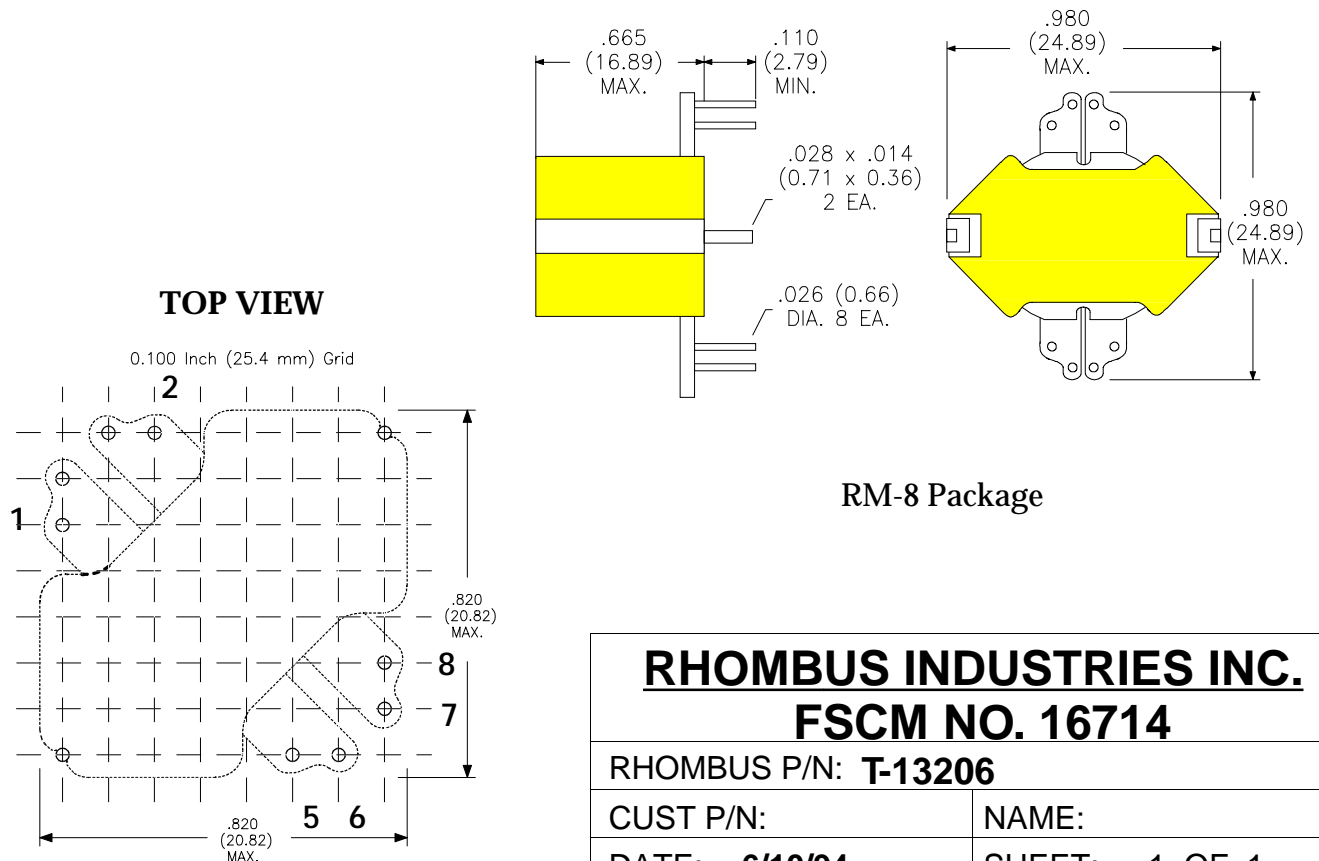
Flammability: Materials used in the production of these units meet requirements of UL94-VO and IEC 695-2-2 needle flame test.

## SCHEMATIC DIAGRAM



## PHYSICAL DIMENSIONS

All dimensions in inches (mm):



## RHOMBUS INDUSTRIES INC. FSCM NO. 16714

RHOMBUS P/N: T-13206

CUST P/N:

NAME:

DATE: 6/10/94

SHEET: 1 OF 1