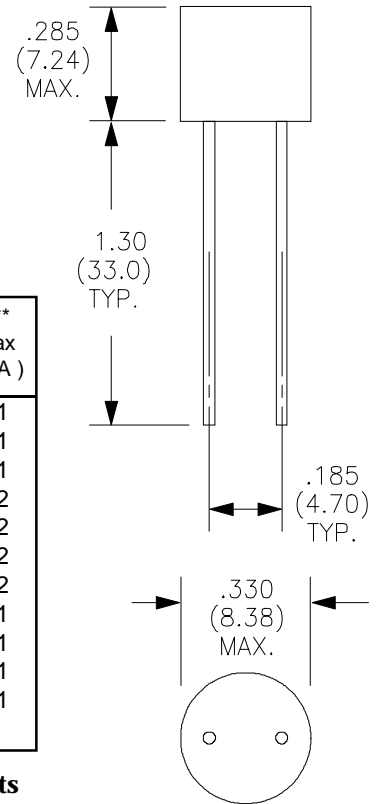


High L Mini Inductors

High Inductance - Low Current
 Designed for Noise, Spike and Filtering applications
 Leads #22 AWG Tinned Copper
 Coils finished with Polyolefin Shrink Tube

Package
 Dimensions
 Inches (mm)

Height
 dimensions
 are without
 solder joint
 or coatings



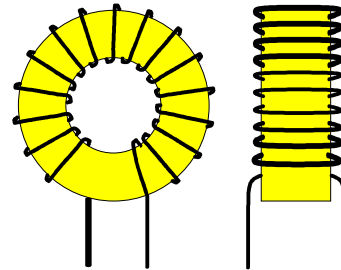
Part Number	L min. * (0 DC) (mH)	DCR Max. (Ω)	I ** Max (mA)	Part Number	L min. * (0 DC) (mH)	DCR Max. (Ω)	I ** Max (mA)
L-13300	1.0	3.1	132	L-13312	12.0	33.0	41
L-13301	1.2	4.0	132	L-13313	15.0	37.0	41
L-13302	1.5	6.1	83	L-13314	18.0	40.0	41
L-13303	1.8	6.4	83	L-13315	22.0	56.0	32
L-13304	2.2	6.8	83	L-13316	27.0	62.0	32
L-13305	2.7	7.7	83	L-13317	33.0	70.0	32
L-13306	3.3	9.0	53	L-13318	47.0	99.0	32
L-13307	4.7	16.0	53	L-13319	56.0	135.0	21
L-13308	5.6	18.0	53	L-13320	68.0	150.0	21
L-13309	6.8	19.0	53	L-13321	82.0	212.0	21
L-13310	8.2	21.0	53	L-13322	100.0	235.0	21
L-13311	10.0	25.0	41				

* Tested at 10kHz & 100mV
 ** 300 CM/A

Variations on electrical parameters of the parts listed are available. Please contact factory.

High L Multi-purpose Toroid Inductors

High Inductance low current applications
 Open wound and self leaded -- Mounting is available
 Varnish coated -- Wound on ferrite material



Electrical Specifications at 25°C

Part Number	L typ. ⁽¹⁾ (mH)	DCR nom. (Ω)	I Max. ⁽²⁾ (Amps)	I Sat. (mA)	O.D. nom. (in.)	I.D. nom. (in.)	HT. nom. (in.)	Lead Size AWG
L-11300	1.0	0.21	1.30	280	0.980	0.450	0.340	24
L-11301	2.0	0.41	1.30	200	0.980	0.450	0.340	24
L-11302	5.0	0.76	1.30	125	0.980	0.450	0.340	24
L-11303	10.0	1.30	0.85	91	0.975	0.445	0.335	26
L-11304	20.0	2.00	0.85	64	0.975	0.445	0.335	26
L-11305	50.0	2.80	0.33	40	0.945	0.445	0.285	30
L-11306	100	5.40	0.21	28	1.080	0.440	0.365	32
L-11307	200	10.40	0.21	20	1.080	0.440	0.365	32
L-11308	300	12.80	0.21	16	1.080	0.440	0.365	32
L-11309	500	18.40	0.13	13	0.955	0.455	0.305	34
L-11310	1000	22.10	0.13	9	0.955	0.455	0.305	34
L-11311	2000	28.80	0.13	6	0.955	0.455	0.305	34

1. L measured at 1 kHz 0ADC
 2. 300 CM/A

A large variety of ferrite toroids are available for custom designs. Please send your requirements by fax today for quotation.