

## ***AUTO-RANGING AC INPUT AC-DC 19" COMPATIBLE EUROCARD SINGLE OUTPUT 160 WATTS SWITCHING MODE POWER SUPPLIES HSU160 SERIES***



### **FEATURES:**

- **AUTO-RANGING AC INPUT**
- **19" COMPATIBLE EUROCARD FORMAT**
- **MEET THE SAFETY STANDARDS**
- **EMI MEET CISPR PUB. 22 & FCC CLASS B**
- **CE MARKING COMPLIANCE**
- **3U X 14HP X 160MM VMEbus STANDARD**

### **SPECIFICATION**

#### **INPUT SPECIFICATION**

**Input Voltage:** Auto-ranging 115Vac(90-132Vac) and 230Vac(180-264Vac).  
Transient threshold typ. 150Vac.  
**Input Connector:** DIN 41612 at rear.  
**Input Frequency:** 47-63Hz.  
**Inrush Current:** Typ. 40.0A @ 230Vac.  
**Input Current:** Typ. 2.2A/115Vac & 1.1A/230Vac.  
**Dielectric Withstand:** Meet IEC 60950-1.  
**EMI:** Meet CISPR PUB. 22 & FCC Class B.  
**Hold-up Time:** Typ. 45mS @115Vac/50mS @230Vac.  
**Earth leakage:** Typ. 0.45mA @230Vac.

#### **OUTPUT SPECIFICATION**

**Output Voltage:** See Ratings Chart.  
**Output Current:** See Ratings Chart.  
**Output Wattage:** Typ. 160 Watts.  
**Output Connector:** DIN 41612 at rear.  
**Line Regulation:** Typ. 0.1%.  
**Load Regulation:** Main VO1 typ. ±0.5%.  
**Noise & Ripple:** Typ. 1% peak to peak.  
**OVP:** Built-in at main VO1 (crowbar).  
**Adjustability:** Available at main output VO1.  
**Remote Sense:** Installed in main VO1.  
**Overload Protection (OLP):** Fully protected against output overload and short circuit.  
Consult the factory for OLP setting.

#### **GENERAL SPECIFICATION**

**Efficiency:** Typ. 80.0-85.0%.  
**Switching Frequency:** Typ. 77K Hz.  
**Circuit Topology:** Forward circuit.  
**Transient Response:** Output voltage returns in less than 1.5mS following a 25% load change.  
**Safety Standard:** IEC 60950-1/UL 60950-1 Class I.  
**Power Density:** 2.20 Watts / Cubic Inch.

**Operating Temperature:** 0 to +50°C at full load.  
Derates linearly to +70°C at half load.  
**Storage Temperature:** -20 to +85°C.  
**Temperature Coefficient:** Typ. 0.04%/°C.  
**Cooling:** Free air convection.  
**Construction format:** 14HP(TE) x 3U compatible Eurocard VMEbus standard.

Note: Due to requests in market and advances in technology, specifications subject to change without notification.



In application

## OUTPUT VOLTAGE / CURRENT RATINGS CHART

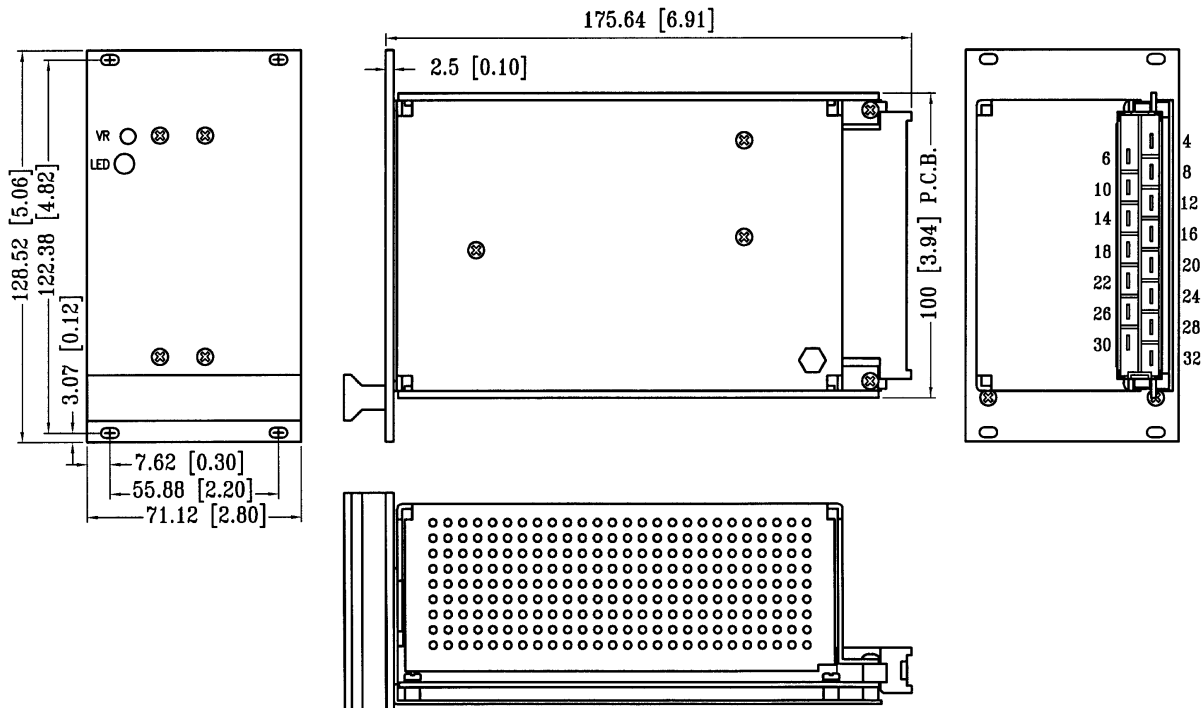
### SINGLE OUTPUT

MODEL NO.	MAIN VO1 ★@#	
	Typ.	Volt.
HSU160-10	30.0A	5.0V
HSU160-11	12.5A	12.0V
HSU160-12	10.0A	15.0V
HSU160-13	6.2A	24.0V
HSU160-14	5.3A	28.0V
HSU160-15	3.2A	48.0V

Symbols: "★" OVP built-in. "@ " Adjustable. "#" Remote Sense.

### MECHANICAL DIMENSIONS: MM [INCHES]

**WEIGHT:** 1.08 kg (2.38 lb.)



### INPUT & OUTPUT CONNECTORS PIN ASSIGNMENTS

ASSIGNMENT	AC INPUT			SINGLE OUTPUT			ASSORTED SIGNAL	
	AC LINE	AC NEUTRAL	AC-GROUND	VO1	DC COM	NC	+SENSE	-SENSE
CONNECTOR & PIN#	26,28	30	32	4,6	12,14	16,18,20,22,24	8	10

Mating connector: DIN41612-H15 Female