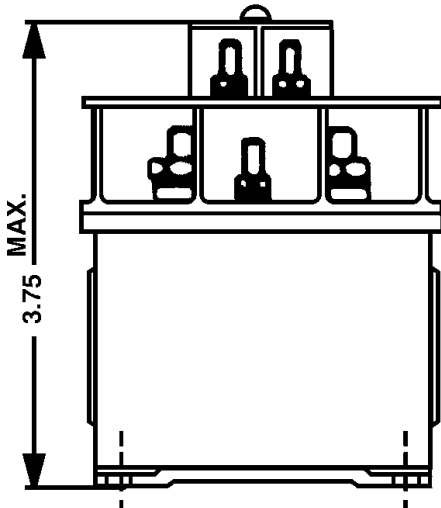
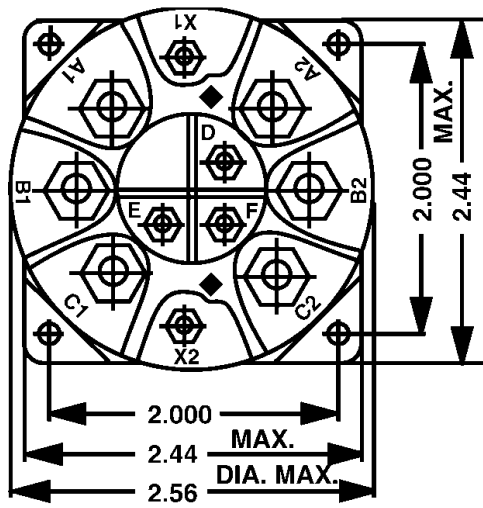


B-329P 3PST N.O., Double Break, 20 Amps, 260/450 VAC, 400 Hz

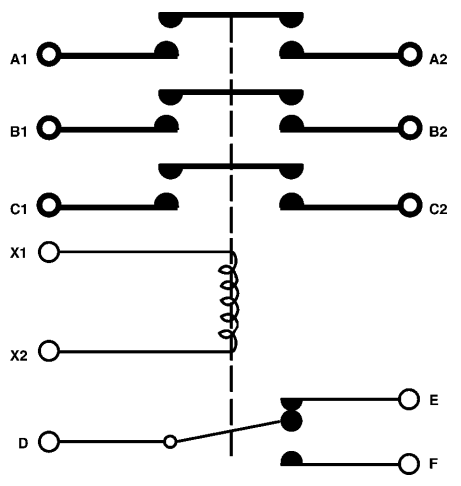


Features:

- 3PST N.O. Double Break Main Contacts
- 260/450 VAC, 400 Hz
- 20 Amps
- High Reliability
- Meets many requirements of MIL-R-6106



CONTACTOR CONFIGURATION



Dimensions for this product are expressed in inches. Multiply values by 25.4 for millimeters.

PRODUCT SPECIFICATIONS	
Construction	Gasket Sealed, Vented
Main Contacts:	
Configuration	3PST N.O. Double Break
Voltage (Nominal)	260/450 VAC, 400 Hz
Current (Resistive)	20 Amps
Auxiliary Contacts:	
Configuration	SPDT
Voltage (Nominal)	28 VDC or 115 VAC, 400 Hz
Current	
Resistive	5 Amps
Inductive	5 Amps
Lamp	1 Amp
Coil Data:	
Duty Cycle	Continuous
Voltage (Nominal)	28 VDC
Pick-Up Voltage	18 VDC Maximum
Drop-Out Voltage	1 - 7 VAC
Coil Current @ 28 VDC & +25°C	0.41 Amps Maximum
Operating Temperature	-55°C to +71°C
Life:	
Electrical	30,000 Cycles
Mechanical	100,000 Cycles
Weight	1 Lb.

Notes:

For factory-direct application assistance, contact the HARTMAN product team at (419) 521-9500, Fax (419) 526-2749.

© 2004 by Tyco Electronics Corporation. All Rights Reserved. HARTMAN and TYCO are trademarks.