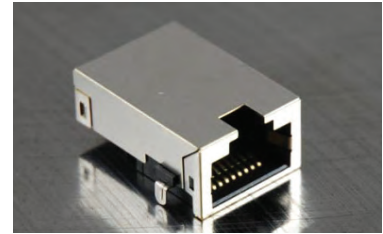




Single Port Low Profile RJ45

ARLP11-3646

- 10/100 Base-T Ethernet Application
- Impedance: 100OHMS
- Transmit open circuit inductance (OCL): 350uH (MIN) @100KHz,0.1VRMS with 8mA DC Bias
- RJ45 jack cavity conforms to FCC rules and regulations Part 68, SUB Part F
- Standard operating temp: 0°C to 70°C
- Contact Factory for Industrial Temp.
- Storage temperature range: -40°C to +85°C
- Optional Gold Plating Thickness Available



Electrical Specifications @ 25°C

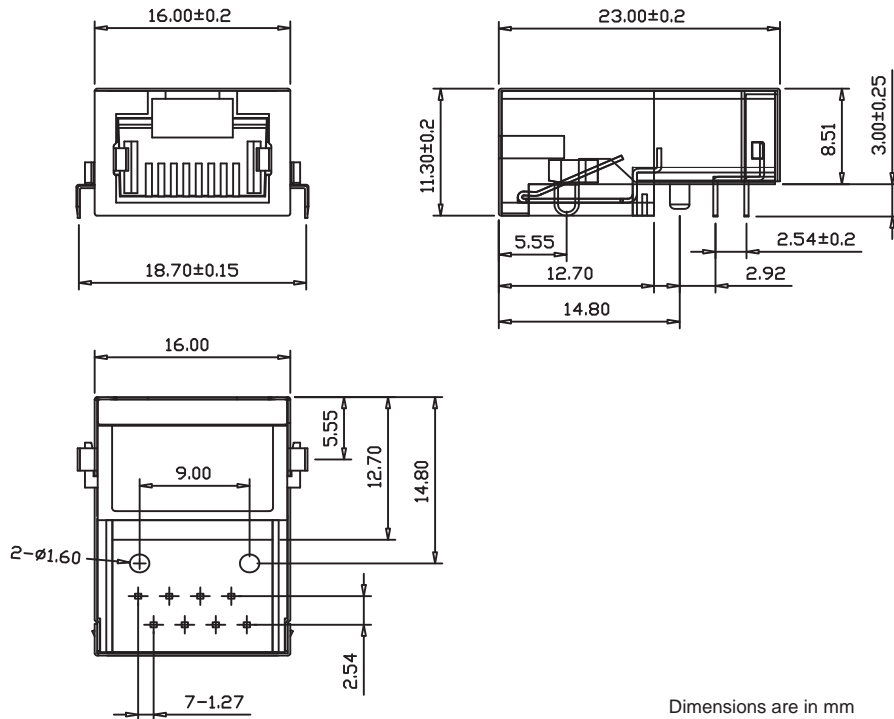
Part Number	OCL(uH Min) @ 100kHz, 0.1V	Turns Ratio chip: cable (±3%)	Insertion Loss (dB Max)	Return Loss (dB Min)		
	With 8mA DC Bias		0.3-100MHz	30MHz	50MHz	80MHz
ARLP11-3646	350	1CT:1CT	-1.0	-18	-15	-12

Electrical Specifications @ 25°C

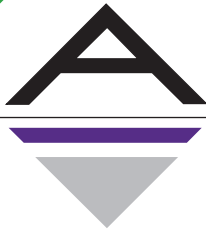
Part Number	Cross Talk (dB Min)			CMR (dB Min)			HI-POT (Vrms) 0.5mA/2Sec.
	30MHz	60MHz	100MHz	30MHz	60MHz	100MHz	
ARLP11-3646	-38	-38	-38	-40	-40	-40	1500

All specifications subject to change without notice.

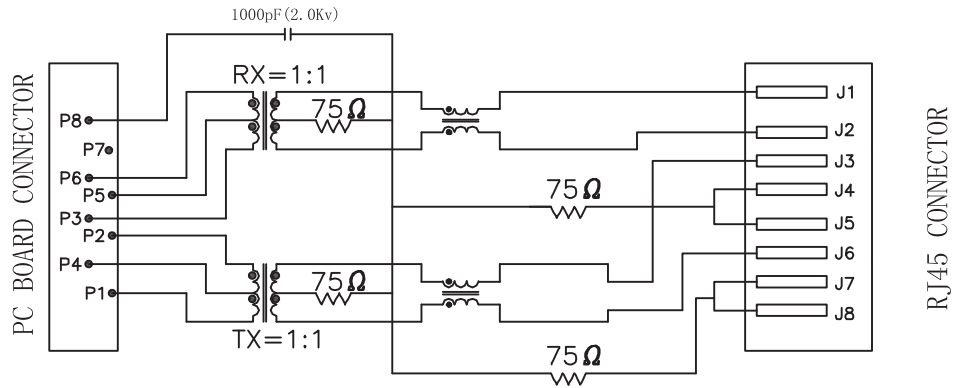
MECHANICAL



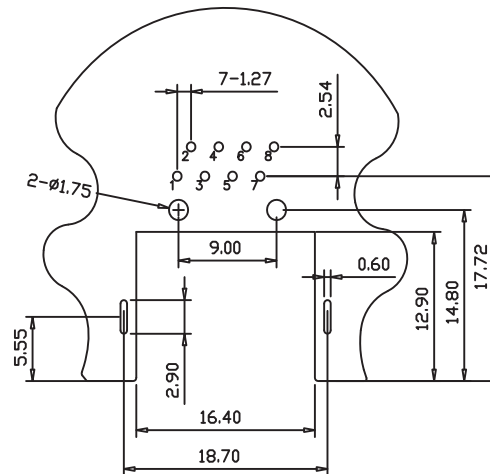
Dimensions are in mm



SCHEMATICS



PCB LAYOUT



NOTES

1. Shield- 0.25mm THICKNESS BRASS C2680 H.
PLATING NICKEL 30u"-50u"
2. Housing- Standard Material PA66, Glass filled
Polyester UL94V-0 Standard Color Black.
3. RJ Terminal- Pin: 0.35mm Thickness Phos-Bronze C5210 EH.
Plating: Nickel 40u"-60u" for all and Sn 100%, and
6u" Gold Plating.
4. Input Terminal- Plastic: PBT, Glass Filled, UL94V-0,
Standard Color Black.
Pin: 0.35mm Thickness Phos-Bronze SUS430.
Plating: Nickel 40u"-60u" for all and Sn 100%.