

**PLEASE CHECK WWW.MOLEX.COM FOR LATEST PART INFORMATION**

**Part Number:** [0190690062](#)  
**Status:** **Active**  
**Description:** Krimptite™ Ring Tongue Terminal for 18-22 AWG Wire

**Documents:**  
[Drawing \(PDF\)](#) [RoHS Certificate of Compliance \(PDF\)](#)

**Agency Certification**

CSA LR18689  
 UL E32244

**General**

Product Family Ring and Spade Terminals  
 Series [19069](#)  
 Crimp Quality Equipment Yes  
 Mil-Spec N/A  
 Product Name Krimptite™  
 Type Ring

**Physical**

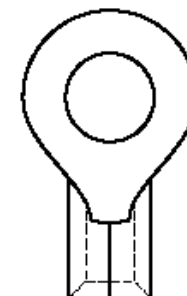
Barrel Type Closed  
 Insulation None  
 Material - Plating Mating Tin  
 Packaging Type Adhesive Tape on Reel  
 Stud Size 10 (M5)  
 Termination Interface: Style Crimp or Compression  
 Wire Size AWG 18, 20, 22  
 Wire Size mm<sup>2</sup> 0.35 - 0.80

**Material Info**

Old Part Number AA-133-10T

**Reference - Drawing Numbers**

Sales Drawing SD-19069-004



*Series  
 image - Reference only*

**EU RoHS**

**ELV and RoHS  
 Compliant**  
**REACH SVHC  
 Contains SVHC: No**  
**Halogen-Free  
 Status  
 Not Reviewed**

**China RoHS**



**Need more information on product  
 environmental compliance?**

Email [productcompliance@molex.com](mailto:productcompliance@molex.com)  
 For a multiple part number RoHS Certificate of  
 Compliance, [click here](#)

Please visit the [Contact Us](#) section for any  
 non-product compliance questions.

**Search Parts in this Series**

[19069Series](#)

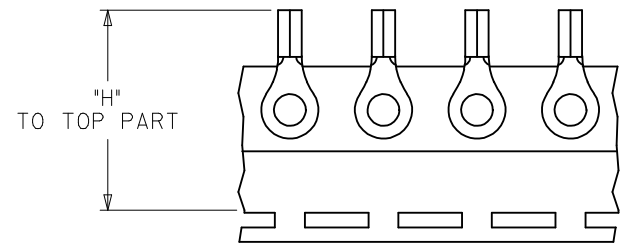
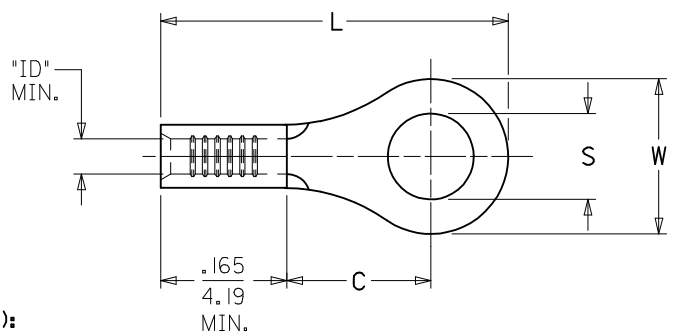
**Application Tooling | [FAQ](#)**

*Tooling specifications and manuals are  
 found by selecting the products below.  
 Crimp Height Specifications are then  
 contained in the Application Tooling  
 Specification document.*

**Global**

Description	Product #
ATP Tooling Kit for ATP-100 and ATP-300 Series Air Crimping Press for Mylar Tape Mounted Terminals	<a href="#">0190270034</a>
Mini-Mac™ Applicator	<a href="#">0638853800</a>

10	9	8	7	6	5	4	3	2	1		
MATERIAL NO. LOOSE PIECE	ENG. NO.	MATERIAL NO. TAPE MOUNTED	ENG. NO.	STUD SIZE	"S" ±.003/(0.08)	"W" MAX.	"C" MIN.	"L" MAX.	"ID" MIN.	STOCK THICKNESS	"H" ±.020/0.51
190690027	AA-120-02	190690028	AA-120-02T	2	.094/(2.39)	.235/(6.00)	.157/(3.99)	.484/(12.29)	.062/(1.57)	.028/(0.71)	1.155/(29.34)
190690029	AA-120-04	190690030	AA-120-04T	4	.119/(3.02)						
190690031	AA-120-06	190690032	AA-120-06T	6	.146/(3.71)						
190690033	AA-121-06	190690034	AA-121-06T	6	.146/(3.71)	.322/(8.18)	.270/(6.86)	.641/(16.28)	.062/(1.57)	.028/(0.71)	1.155/(29.34)
190690035	AA-121-08	190690036	AA-121-08T	8	.173/(4.39)						
190690037	AA-121-10	190690038	AA-121-10T	10	.198/(5.03)						
190690039	AA-121-209	190690475	AA-121-209T	209	.209/(5.18)	.477/(12.11)	.386/(9.80)	.835/(21.21)	.062/(1.57)	.028/(0.71)	1.155/(29.34)
190690040	AA-122-10	190690041	AA-122-10T	10	.198/(5.03)						
190690042	AA-122-14	190690044	AA-122-14T	14	.265/(6.71)						
190690045	AA-122-56	190690046	AA-122-56T	56	.328/(8.33)	.544/(13.82)	.552/(14.02)	1.034/(26.26)	.055/(1.40)	.031/(0.79)	1.342/(34.09)
190690047	AA-126-10	-----	-----	10	.198/(5.03)						
190690048	AA-126-14	190690128	AA-126-14T	14	.265/(6.71)						
190690051	AA-126-56	-----	-----	56	.328/(8.33)	.264/(6.70)	.240/(6.10)	.582/(14.78)	.062/(1.57)	.028/(0.71)	1.155/(29.34)
190690049	AA-126-38	190690050	AA-126-38T	38	.390/(9.91)						
190690052	AA-132-04	190690053	AA-132-04T	4	.119/(3.02)						
190690054	AA-132-06	190690055	AA-132-06T	6	.146/(3.71)	.283/(7.20)	.240/(6.10)	.591/(15.00)	.062/(1.57)	.028/(0.71)	1.155/(29.34)
190690056	AA-132-08	190690057	AA-132-08T	8	.173/(4.39) <b>(C1)</b>						
190690061	AA-133-10	190690062	AA-133-10T	10	.198/(5.03)						
190690024	AA-1111-02	190690191	AA-1111-02T	2	.094/(2.39)	.197/(5.00)	.173/(4.40)	.490/(12.40)	.055/(1.40)	.031/(0.79)	1.155/(29.34)
190690025	AA-1111-04	190690026	AA-1111-04T	4	.119/(3.02)						



SALES DRAWING

**NOTE(S):**  
 1. MATERIAL: COPPER.  
 2. PLATING: ELECTRO-TIN.  
 3. ALL DIMENSIONS IN INCHES/(MM).

WIRE SIZE:  
 22-18 AWG  
 0.25-1.5 MM<sup>2</sup>

**(C1)** 4. PARTS ARE ROHS COMPLIANT.

<b>FIX TYP ON .173 DIM</b> EC NO: WNA2009-0432 DRAWN: THRODAHL 2009/01/15 CHKD: JMACNEIL 2009/01/16 APPR: JMACNEIL 2009/01/16 <b>C1</b>	QUALITY SYMBOLS ▽=0 ▽=0	GENERAL TOLERANCES (UNLESS SPECIFIED) <table border="1"> <tr> <th></th> <th>mm</th> <th>INCH</th> </tr> <tr> <td>4 PLACES</td> <td>±---</td> <td>±---</td> </tr> <tr> <td>3 PLACES</td> <td>±---</td> <td>±---</td> </tr> <tr> <td>2 PLACES</td> <td>±---</td> <td>±---</td> </tr> <tr> <td>1 PLACE</td> <td>±---</td> <td>±---</td> </tr> <tr> <td colspan="3">ANGULAR ±---°</td> </tr> </table>		mm	INCH	4 PLACES	±---	±---	3 PLACES	±---	±---	2 PLACES	±---	±---	1 PLACE	±---	±---	ANGULAR ±---°			DIMENSION STYLE <b>IN/MM</b>	SCALE <b>1:1</b>	DESIGN UNITS <b>INCH</b>	THIRD ANGLE PROJECTION
		mm	INCH																					
	4 PLACES	±---	±---																					
	3 PLACES	±---	±---																					
2 PLACES	±---	±---																						
1 PLACE	±---	±---																						
ANGULAR ±---°																								
DRAFT WHERE APPLICABLE MUST REMAIN WITHIN DIMENSIONS		DRAWN BY BDEROSS	DATE 2000/6/13	TITLE <b>RING TONGUE TERMINAL KRIMPTITE, 100 SERIES 22-18 AWG</b>																				
		CHECKED BY JHACKNEY	DATE 2000/6/13	<b>MOLEX INCORPORATED</b>																				
		APPROVED BY RDEROSS	DATE 2000/6/13	MATERIAL NO. <b>SEE CHART</b>	DOCUMENT NO. <b>SD-19069-004</b>	SHEET NO. <b>1 OF 1</b>																		