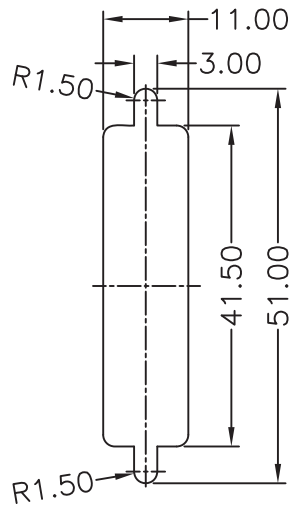


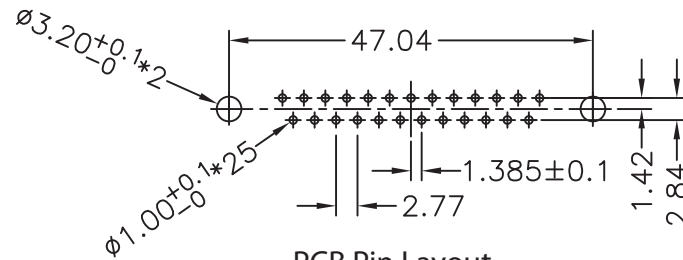
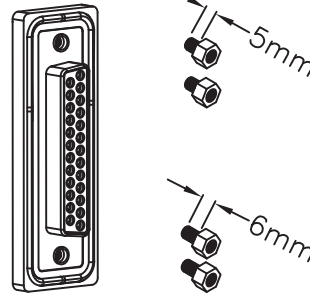
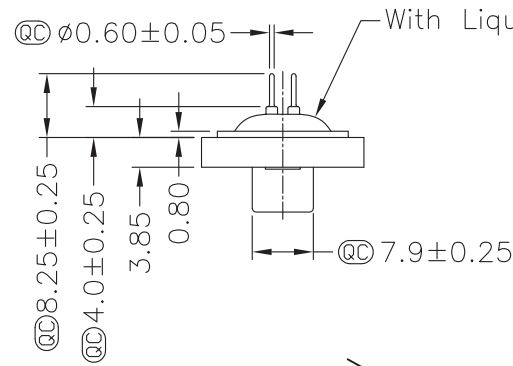


Screw L=5.0 For Panel Thickness
Under 1.2 mm

Screw L=5.0 For Panel Thickness
Between 1.2~2.0mm



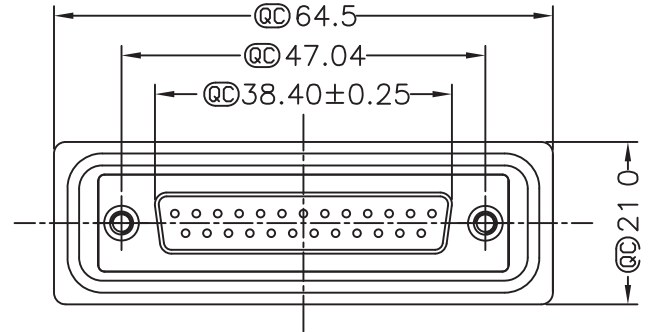
Recommended Panel Cut-Out



PCB Pin Layout

44 Pin Female Connector

Board Lock PCB-THINKNFSS 1.66 mm



Material:

- Cable: UL2725 [26AWG(1/0.404)*2+D(1/0.32)*2+AL]*2F
- OD 2.2*7.8MM
- Jacket Red (200C/RD-16#)
- P1 Connector: eSATA 7P/M Solder Type
- Pin G/F
- Insulator Black Metal
- Shell Plate Nickel
- P2 Connector: Serial ATA Female 7
- Crimp type connector
- Insulator Black Metal
- Shell Plate Nickel

QC Quality Control: Important Dimension to check
Unit: MM±0.1MM

Ⓜ = Assmann logo



ITEM NO.

A-DF25PP-WP-R

TITLE

Waterproof DSub Connector - Straight Pin,
for PCB Mount, 25 Contacts Female

ASSMANN

WSW components

1840 W. Drake Drive, Suite 101 • Tempe, AZ 85283
Toll Free: 1-877-277-6266 • Email: info@assmann.us

THIS DRAWING IS UNPUBLISHED
©Copyright 2011 by Assmann WSW components
All International Rights Reserved