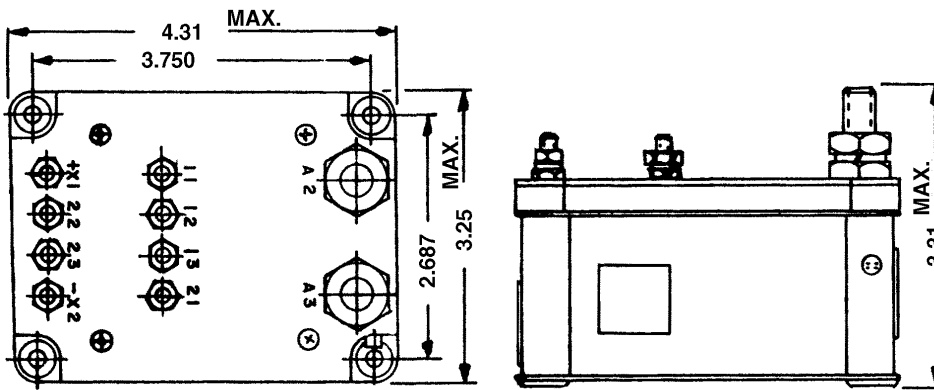


**A-876M SPDT N.C.,  
300 Amps, 28 VDC**

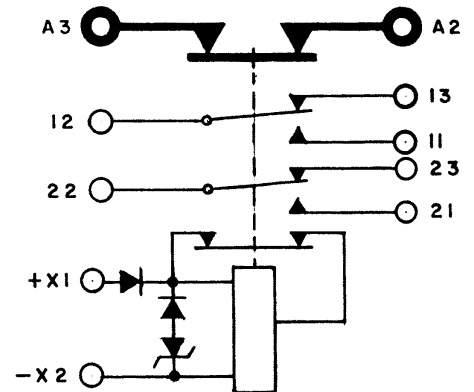
**Features:**

- SPDT N.C. Main Contacts
- Transient Suppression
- Economizing Coil
- 28 VDC
- 300 Amps
- High Reliability
- Meets many requirements of MIL-R-6106



Dimensions for this product are expressed in inches. Multiply values by 25.4 for millimeters.

**CONTACTOR CONFIGURATION**



**Notes:**

PRODUCT SPECIFICATIONS	
Construction	Gasket Sealed, Vented
Main Contacts:	
Configuration	SPST N.C.
Voltage (Nominal)	28 VDC
Current (Resistive)	300 Amps; 400 Amps for 5 Minutes
Auxiliary Contacts:	
Configuration	2PDT
Voltage (Nominal)	28 VDC
Current	
Resistive	5 Amps
Inductive	3 Amps
Coil Data:	
Duty Cycle	Continuous (Economizing)
Voltage (Nominal)	28 VDC
Pick-Up Voltage	18 VDC Maximum
Drop-Out Voltage	1 - 7 VDC
Coil Current @ 28 VDC & +25°C	
In-Rush	6.70 Amps
Hold	0.34 Amps
Operating Temperature	-55°C to +71°C
Life:	
Electrical	50,000 Cycles
Mechanical	100,000 Cycles
Weight Maximum	3 Lbs.

For factory-direct application assistance, contact the HARTMAN product team at (419) 521-9500, Fax (419) 526-2749.

© 2004 by Tyco Electronics Corporation. All Rights Reserved. HARTMAN and TYCO are trademarks.