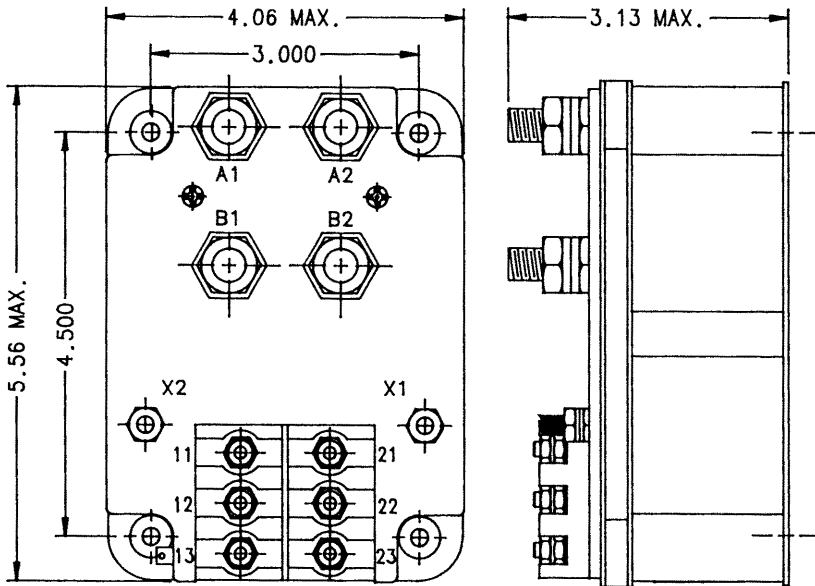


A-871F SPDT N.O. & N.C., 200 Amps, 28 VDC

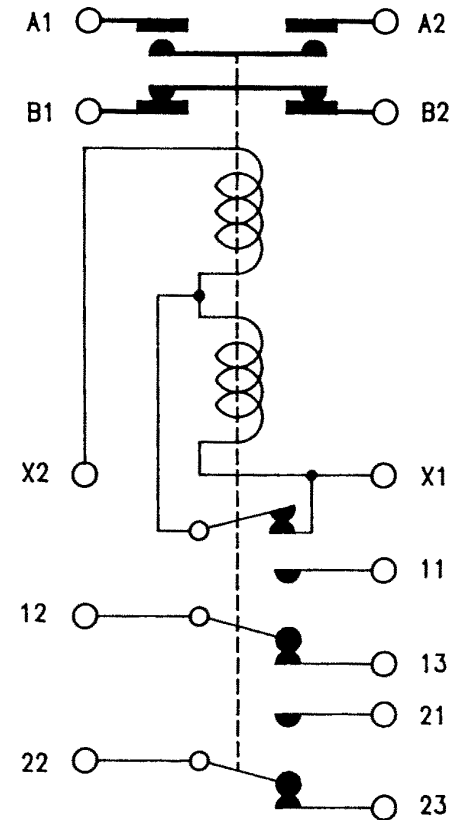
Features:

- SPDT Main Contacts
- Economizing Coil
- 28 VDC
- 200 Amps
- High Reliability
- Meets many requirements of MIL-R-6106



Dimensions for this product are expressed in inches.
Multiply values by 25.4 for millimeters.

CONTACTOR CONFIGURATION



Notes:

PRODUCT SPECIFICATIONS	
Construction	Gasket Sealed, Vented
Main Contacts:	
Configuration	SPDT N.O. & N.C.
Voltage (Nominal)	28 VDC
Current (Resistive)	200 Amps N.C.; 400 Amps N.O.
Auxiliary Contacts:	
Configuration	2PDT
Voltage (Nominal)	28 VDC
Current	
Resistive	5 Amps
Inductive	3 Amps
Coil Data:	
Duty Cycle	Continuous (Economizing)
Voltage (Nominal)	28 VDC
Pick-Up Voltage	18 VDC Maximum
Drop-Out Voltage	2 - 10 VDC
Coil Current @ 28 VDC & +25°C	
In-Rush	6.72 Amps
Hold	0.34 Amp
Operating Temperature	-55°C to +71°C
Life:	
Electrical	50,000 Cycles
Mechanical	100,000 Cycles
Weight	2 Lbs. 8 Oz.

For factory-direct application assistance, contact the HARTMAN product team at (419) 521-9500, Fax (419) 526-2749.

© 2004 by Tyco Electronics Corporation. All Rights Reserved.
HARTMAN and TYCO are trademarks.