

## FEATURES AND SPECIFICATIONS

### Features and Benefits

- Sizes 2 to 17 circuits
- For topcoated ribbon cable
- Wire range: 26 AWG
- Insulation diameter: 1.60mm max.
- Strip length: 4.50mm

### Reference Information

Packaging: Tray  
 UL File No.: E29179  
 Designed In: Millimeters

### Electrical

Voltage: 150V  
 Current: 2.0A  
 Contact Resistance: 20mΩ max.  
 Dielectric Withstanding Voltage: 500V AC/1 min.  
 Insulation Resistance: 1000 MΩ min.

### Mechanical

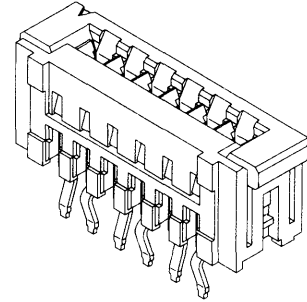
Wire Insertion Force: 0.5kgf max. (4.9N)  
 Wire Retention Force: 1.5kgf min. (14.7N)

### Physical

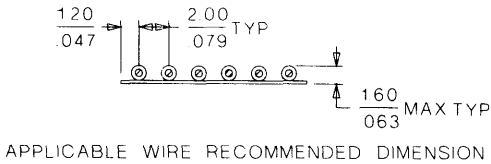
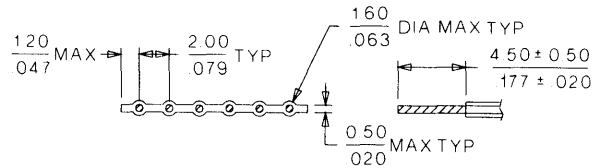
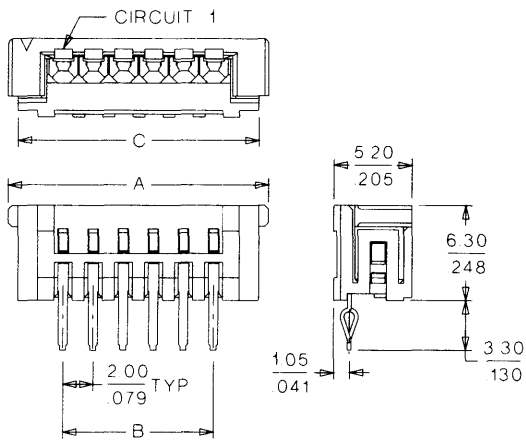
Housing: Glass-filled PBTP, UL 94V-0  
 Actuator: Glass-filled PBTP, UL 94V-0  
 Contact: Phosphor Bronze  
 Plating: Tin  
 Operating Temperature: -40 to +105°C

# molex® 2.00mm (.079") Pitch Wire Trap

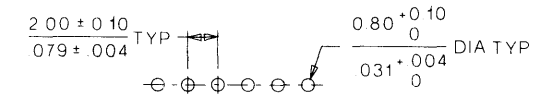
## 52147 Pull-Cover Style Vertical



### CATALOG DRAWING (FOR REFERENCE ONLY)



APPLICABLE WIRE RECOMMENDED DIMENSION



PCB LAYOUT COMPONENT SIDE  
 RECOMMENDED PCB THICKNESS: 160 ± 0.10 / .063 ± .004

### ORDERING INFORMATION AND DIMENSIONS

Circuits	Order No.	Dimension		
		A	B	C
2	52147-0210	9.30 (.366)	2.00 (.079)	8.00 (.315)
3	52147-0310	11.30 (.445)	4.00 (.157)	10.00 (.344)
4	52147-0410	13.30 (.524)	6.00 (.236)	12.00 (.472)
5	52147-0510	15.30 (.602)	8.00 (.314)	14.00 (.551)
6	52147-0610	17.30 (.681)	10.00 (.393)	16.00 (.630)
7	52147-0710	19.30 (.760)	12.00 (.472)	18.00 (.709)
8	52147-0810	21.30 (.839)	14.00 (.551)	20.00 (.787)
9	52147-0910	23.30 (.917)	16.00 (.629)	22.00 (.866)
10	52147-1010	25.30 (.996)	18.00 (.708)	24.00 (.945)
11	52147-1110	27.30 (1.075)	20.00 (.787)	26.00 (1.024)
12	52147-1210	29.30 (1.154)	22.00 (.866)	28.00 (1.102)
13	52147-1310	31.30 (1.232)	24.00 (.944)	30.00 (1.181)
14	52147-1410	33.30 (1.311)	26.00 (1.023)	32.00 (1.260)
15	52147-1510	35.30 (1.390)	28.00 (1.102)	34.00 (1.339)
16	52147-1610	37.30 (1.469)	30.00 (1.181)	36.00 (1.417)
17	52147-1710	39.30 (1.547)	32.00 (1.260)	38.00 (1.496)

Note: All PC tails kinked opposite ways except two-circuit version which has no kinks