

# Qwik-Ty® for MIL-C-81659 Connectors 507-002

**507-002 L H**

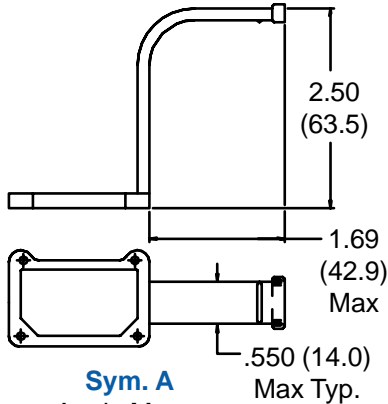
Basic Part No. \_\_\_\_\_

Angular Functions \_\_\_\_\_

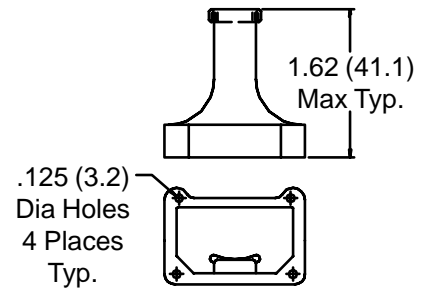
- A = Angle Mount Right
- B = Back Mount
- C = Angle Mount Left
- D = 90° Back Mount
- L = Left Mount
- N = None (Base Only)
- R = Right Mount

H = Hardware Supplied,  
Omit for None

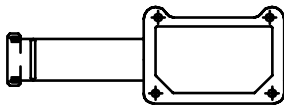
1. Metric dimensions (mm) are indicated in parentheses.
2. Material - Al Alloy  
Finish - Black Anodize  
Hardware = Cres/Passivate



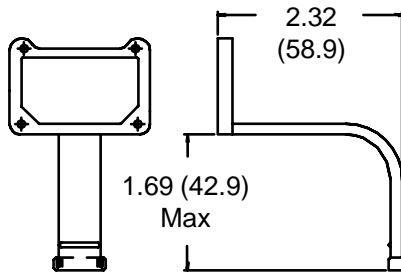
**Sym. A**  
Angle Mount  
Qwik-Ty Right



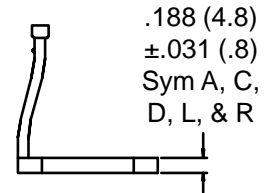
**Sym. B**  
Back Mount Qwik-Ty



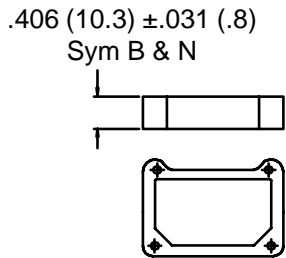
**Sym. C**  
Angle Mount Qwik-Ty



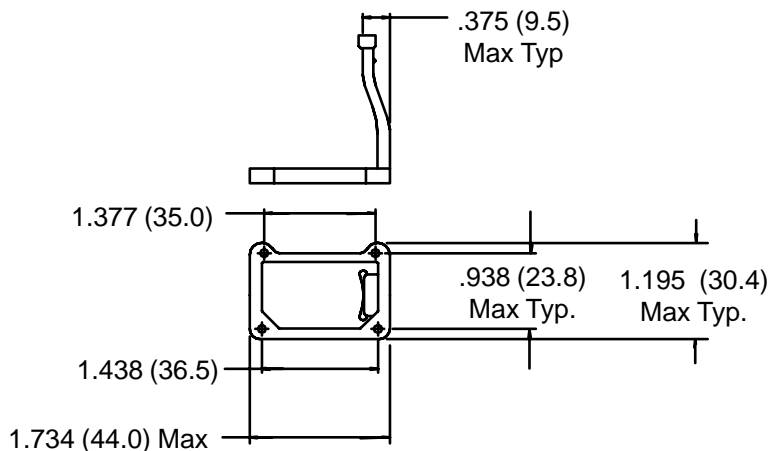
**Sym. D**  
90° Back Mount Qwik-Ty



**Sym. L**  
Left Mount Qwik-Ty



**Sym. N**  
Base Only



**Sym. R**  
Right Mount Qwik-Ty