

**PLEASE CHECK WWW.MOLEX.COM FOR LATEST PART INFORMATION**

**Part Number:** [0495051215](#)  
**Status:** **Active**  
**Description:** Bulb Socket, Sealed, For W16W, 32.00mm Socket Length, 2 Circuits

**Documents:**

[3D Model](#) [Product Specification PS-49505-001 \(PDF\)](#)  
[Drawing \(PDF\)](#) [RoHS Certificate of Compliance \(PDF\)](#)

**General**

Product Family	Other Sockets
Series	49505
Comments	Sealed bulb socket for W16W
Component Type	Socket
Product Name	Bulb Socket

**Physical**

Circuits (Loaded)	2
Color - Resin	Gray
Durability (mating cycles max)	Contact Molex
Entry Angle	Vertical
Keying to Mating Part	N/A
Material - Resin	Nylon
PCB Retention	None
Packaging Type	Bag
Pitch - Mating Interface (in)	0.343 In
Pitch - Mating Interface (mm)	8.70 mm
Temperature Range - Operating	-40°C to +80°C

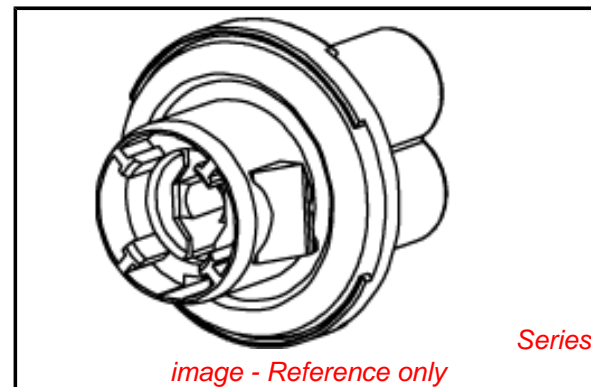
**Electrical**

Current - Maximum per Contact	7A
Voltage - Maximum	12V

**Material Info**

**Reference - Drawing Numbers**

Packaging Specification	PK-49505-001
Product Specification	PS-49505-001
Sales Drawing	SD-49505-004



**EU RoHS**

**ELV and RoHS  
Compliant**  
**REACH SVHC**  
 Not Reviewed  
**Halogen-Free**  
**Status**  
 Not Reviewed

**China RoHS**



**Need more information on product  
environmental compliance?**

Email [productcompliance@molex.com](mailto:productcompliance@molex.com)  
 For a multiple part number RoHS Certificate of  
 Compliance, [click here](#)

Please visit the [Contact Us](#) section for any  
 non-product compliance questions.

**Search Parts in this Series**

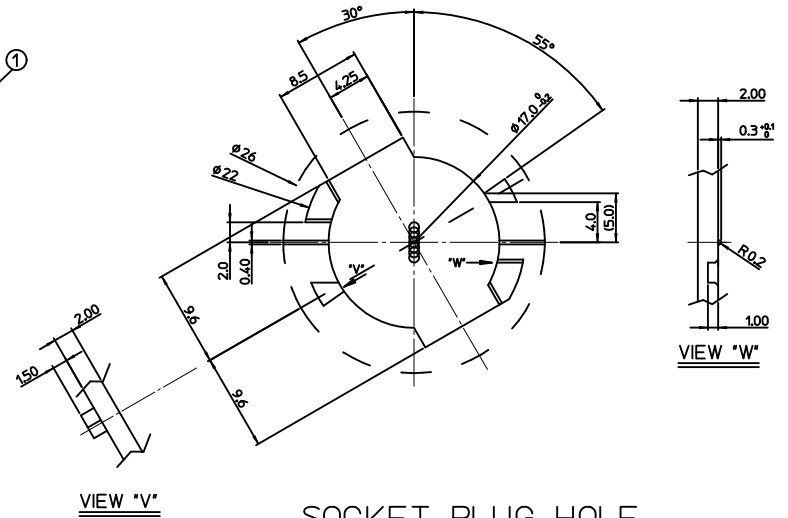
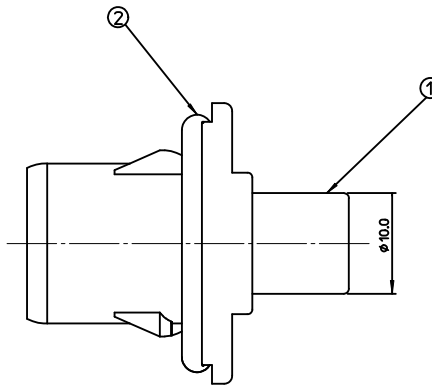
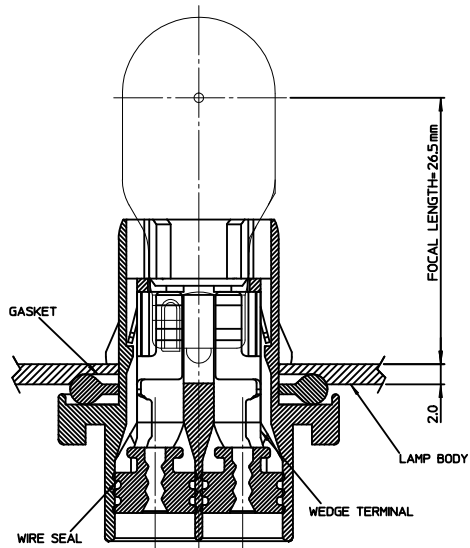
49505Series

**Mates With**

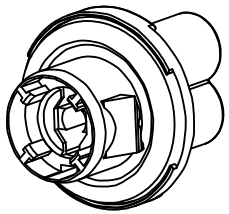
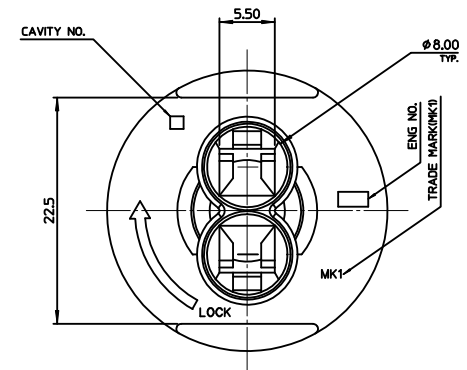
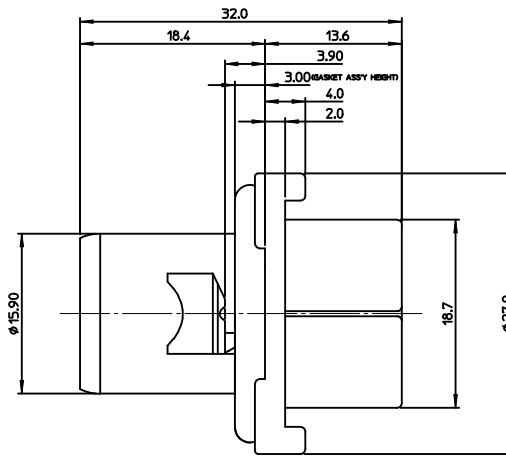
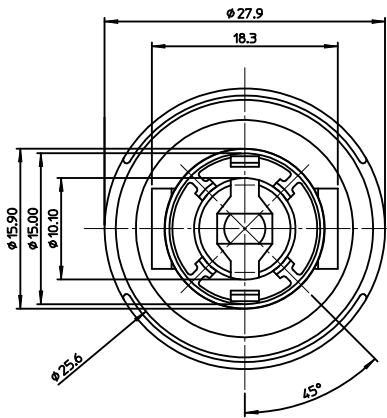
Lamp

**Use With**

35477-9002



SOCKET PLUG HOLE



ISOMETRIC VIEW

- NOTES
1. FOCAL LENGTH -26.5mm
  2. PRODUCT SPECIFICATION: PS-49505-001
  3. APPLICABLE WEDGE BULB CAP: W16W(W2.1X)9.5d
  4. MATES WITH

DESCRIPTION	MATERIAL	ORDER NO.	REMARK
WEDGE TERMINAL	BRASS	35477-9002	UNPLATED
TERMINAL WIRE SEAL	SILICONE	49505-9001	BLACK

<PART LIST>

NO.	DESCRIPTION	MATERIAL	USAGE	REMARK
①	WEDGE SOCKET	PA66 M/F	1	GRAY
②	GASKET	SILICONE	1	BLACK

<SEE TABLE 1>

MATERIAL NO.	ORDER NO.	REMARK
495051215	49505-1215	GRAY

SCALE 4:1 DESIGN UNITS METRIC THIRD ANGLE PROJECTION

SEALED W16W BULB SOCKET 2P (SOCKET LENGTH=32.0MM)

MOLEX INCORPORATED

SD-49505-004

NEW RELEASED  
 EC NO: K0R2010-0065  
 DRAWN BY: DRWNEKIM 2010/02/02  
 CHECK BY: CHKCHWYANG 2010/02/02  
 APPR: UNSJIKIM 2010/02/02

QUALITY SYMBOLS	GENERAL TOLERANCES (UNLESS SPECIFIED)	DIMENSION STYLE
▽=0	mm INCH	MM ONLY
▽=0	4 PLACES ± 0.15	DRAWN BY DATE
	3 PLACES ± 0.20	EOKIM 2009/07/17
	2 PLACES ± 0.20	CHECKED BY DATE
	1 PLACE ± 0.3	BCYOON 2009/07/17
	ANGULAR ± 1°	APPROVED BY DATE
		EHJUNG 2009/07/17

DRAFT WHERE APPLICABLE MUST REMAIN WITHIN DIMENSIONS

SEE TABLE 1

MATERIAL NO. DOCUMENT NO. SHEET NO. 1 OF 1

THIS DRAWING CONTAINS INFORMATION THAT IS PROPRIETARY TO MOLEX INCORPORATED AND SHOULD NOT BE USED WITHOUT WRITTEN PERMISSION