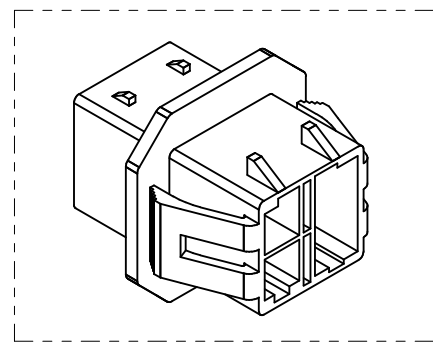
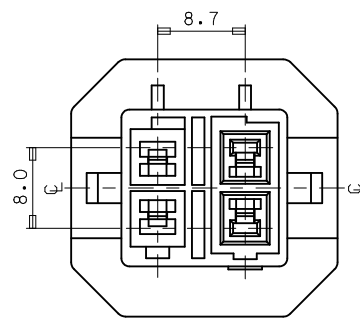
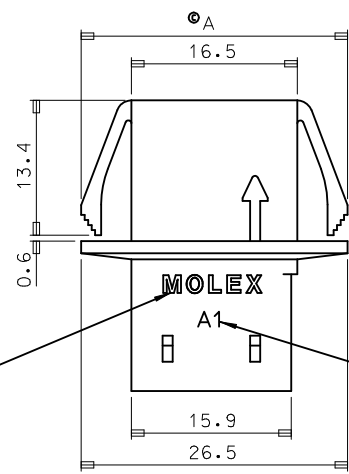
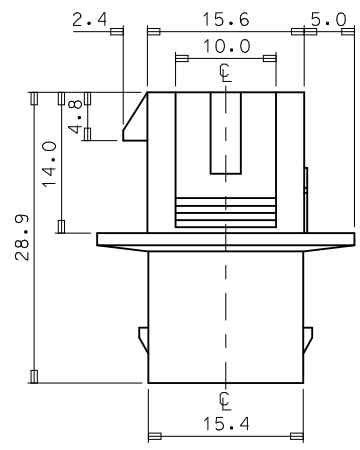


VIEW "A"



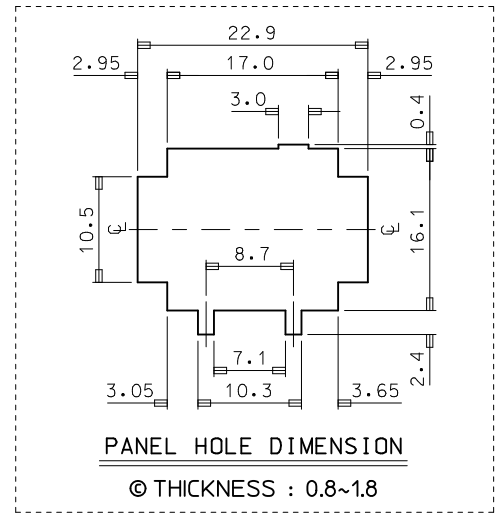
- NOTES.
1. MATERIAL & COLOR : SEE TABLE
 2. MATED HOUSING : 35181-020*, 35965-020*/920*
35181-021*, 35965-021*/921*
 3. APPLICABLE TERMINAL : 35745-0*10 (1 CIRCUIT)
35746-0*10 (3 CIRCUIT)
35747-0*10 (2 CIRCUIT)
35748-0*10 (4 CIRCUIT)
 4. APPLICABLE T.P.A : 35181-029*
 5. PRODUCT SPECIFICATION : PS-35180-002



TRADE MARK

©TOOL & CAVITY NO
(TOOL:A,B..CAV:1,2..)

VIEW "A"



NO	PRODUCT		MATERIAL		DIMENSION ①(A)
	PART NO	MATERIAL NO	COLOR	DESCRIPTION	
1	35180-0400	351800400	NATURAL	PBT (UL94V-0)	26.2
2	35180-0404	351800404	BLUE		
3	35180-0409	351800409	NATURAL	PC/PET (UL94V-0)	26.5
4	35180-3409	351803409	YELLOW		
5	35180-4409	351804409	BLUE		

REVISED	EC NO: KOR2010-009Z	2010/01/14	QUALITY SYMBOLS
	DRWN: JHPARK01	2010/01/14	▽=0
	CHKD: WY. YANG	2010/01/14	▽=0
	APPR: YUNSIKKIM	2010/01/14	
REV	DESCRIPTION		

GENERAL TOLERANCES (UNLESS SPECIFIED)	
	mm INCH
4 PLACES ±	--- ± ---
3 PLACES ±	--- ± ---
2 PLACES ±	--- ± ---
1 PLACE ±	0.3 ± ---
ANGULAR ± 1°	
DRAFT WHERE APPLICABLE MUST REMAIN WITHIN DIMENSIONS	

DIMENSION STYLE	
MM ONLY	
DRAWN BY	DATE
JS. KANG	
CHECKED BY	DATE
APPROVED BY	DATE
MATERIAL NO.	DOCUMENT NO.
SEE TABLE	SD-35180-040*
SIZE	
A3	

SCALE	DESIGN UNITS	THIRD ANGLE PROJECTION
2:1	METRIC	
TITLE		
.070 MULTI W/W CONN MALE HSG-4P		
MOLEX INCORPORATED		
MATERIAL NO.	DOCUMENT NO.	SHEET NO.
SEE TABLE	SD-35180-040*	1 OF 01
THIS DRAWING CONTAINS INFORMATION THAT IS PROPRIETARY TO MOLEX INCORPORATED AND SHOULD NOT BE USED WITHOUT WRITTEN PERMISSION		