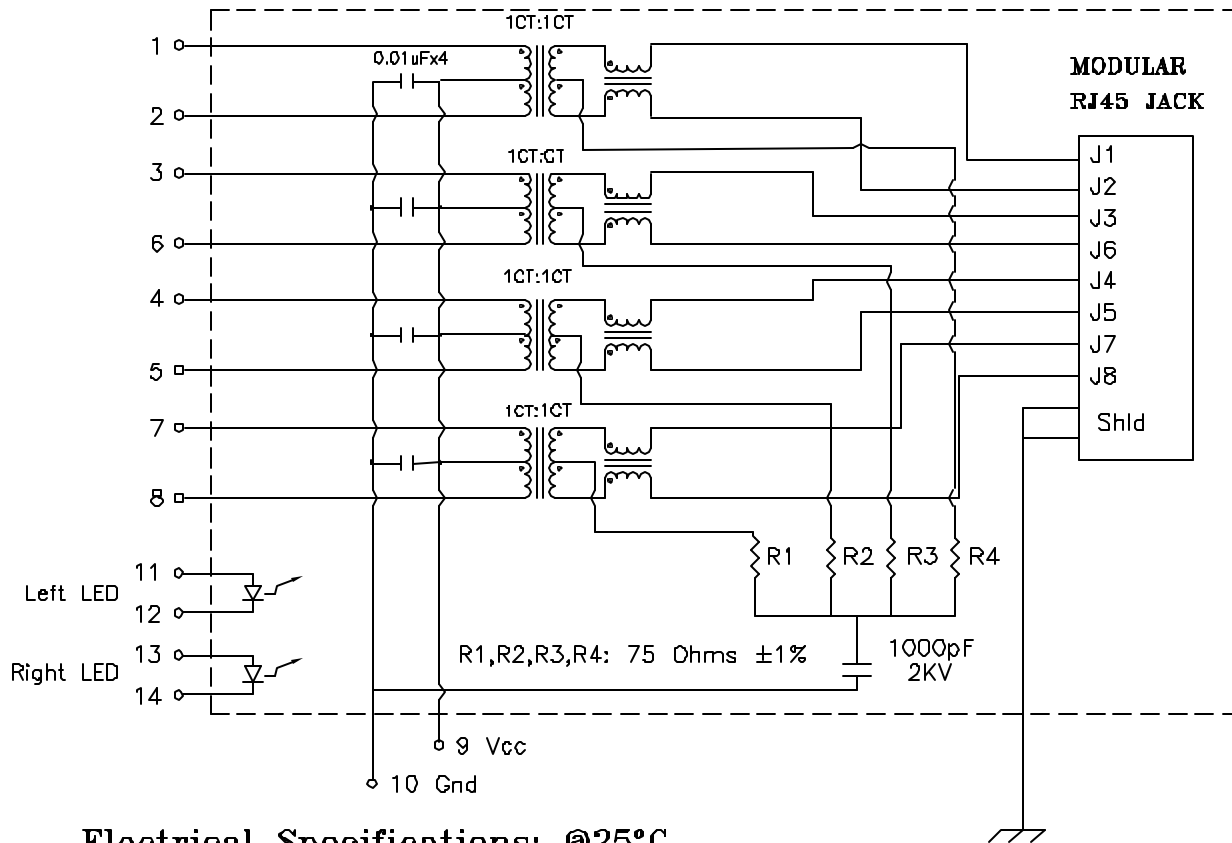


Schematic: (Single Port)



Electrical Specifications: @25°C

ISOLATION: 1500Vrms (See Notes)
 TURNS RATIO: (PRI/SEC) 1CT:1CT ±3%
 OCL: 350uH MIN @100KHz 100mV 8mA DC
 Q: 18 Min @100KHz 100mV
 Rise Time: 1.75ns Max.
 INSERTION LOSS: -1.0dB MAX @1MHz-100MHz
 -1.5dB MAX @100-125MHz
 RETURN LOSS: -1dB Min @1-30MHz
 -15dB Min @40MHz -13.1dB Min @50MHz
 -12dB Min @60-80MHz -10dB Min @100MHz
 Differential to Common Mode Rejection:
 -43dB Min @30MHz -37dB Min @80MHz
 -33dB Min @100MHz
 CMRR: -30dB Min @1-100MHz
 Crosstalk: -45dB Min @30MHz
 -40dB Min @60MHz -35dB Min @100MHz

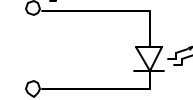
Notes:

- Solderability: Leads shall meet MIL-STD-202G, Method 20BH for solderability.
- Flammability: UL94V-0
- ASTM oxygen Index: > 28%
- UL Recognized Component: File Number E200238
- Operating Temperature Range: All listed parameters are to be within tolerance from -40°C to +85°C
- Storage Temperature Range: -55°C to +125°C
- Aqueous wash compatible
- Electrical and mechanical specifications 100% tested
- RoHS Compliant Component
- Hipot spec refers to application to wound toroids only

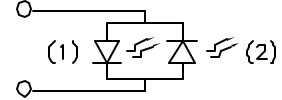
Complete the Combo P/N as follows:

Replace 'x' & 'u' in the part number with one of the LED color letters:
 Y=Yellow
 G=Green
 A=Amber
 R=Red
 C=Green(1)/Amber(2) Bicolor
 D=Amber(1)/Green(2) Bicolor
 M=Green(1)/Yellow(2) Bicolor
 N=Yellow(1)/Green(2) Bicolor
 P=Red(1)/Green(2) Bicolor
 Q=Green(1)/Red(2) Bicolor
 E=Red(1)/Yellow(2) Bicolor
 F=Yellow(1)/Red(2) Bicolor
 H=Amber(1)/Yellow(2) Bicolor

Single Color LED:



Bi-Color LED:



DOC REV: C/5

PROPRIETARY:

Document is the property of XFMRs Group & is not allowed to be duplicated without authorization.

XFMRs Inc
www.XFMRs.com

UNLESS OTHERWISE SPECIFIED
TOLERANCES:
.xxx ±0.010
Dimensions in Inch

SHEET 1 OF 2

Title:

SINGLE PORT COMBO

P/N: XFGIB100JM-CLxu1-4MS

REV. C

DWN.

Mei Chen

May-11-10

CHK.

YK Liao

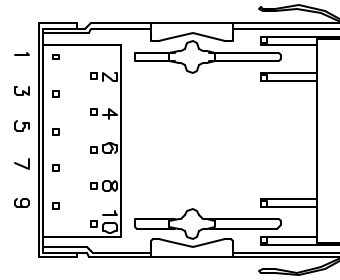
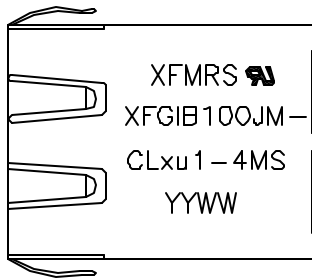
May-11-10

APP.

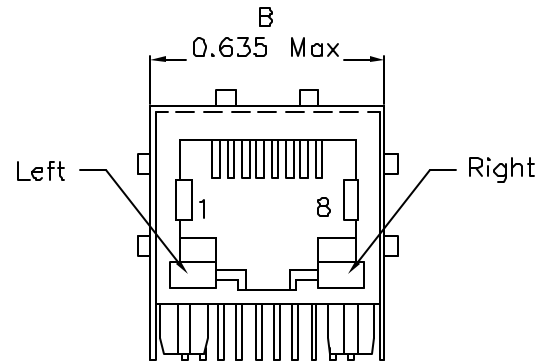
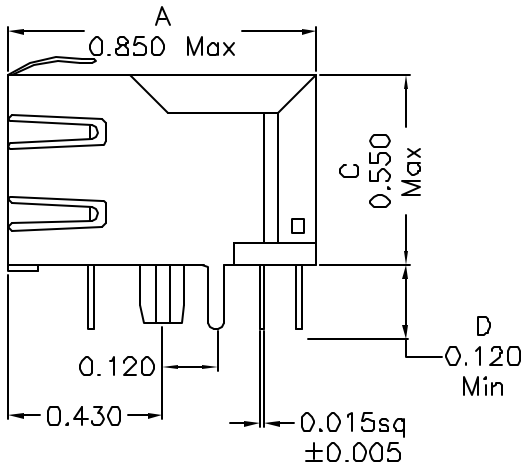
Joe Huff

May-11-10

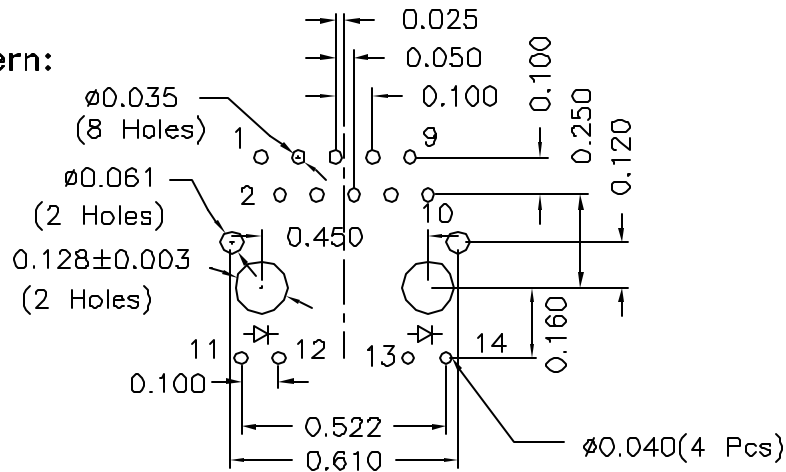
Mechanical Dimensions:



(BOTTOM VIEW)



Mounting Pattern: (COMP SIDE)



DOC REV: C/5

PROPRIETARY:

Document is the property of XFMRS Group & is not allowed to be duplicated without authorization.

XFMRS Inc.

Title: Mechanical Dimensions
For CLxu1-4MS Series

UNLESS OTHERWISE SPECIFIED
TOLERANCES:
.xxx ±0.010
Dimensions in Inch

P/N: XFGIB100JM-CLxu1-4MS	REV. C
DWN. Mei Chen	May-11-10
CHK. YK Liao	May-11-10
APP. Joe Huff	May-11-10

SHEET 2 OF 2