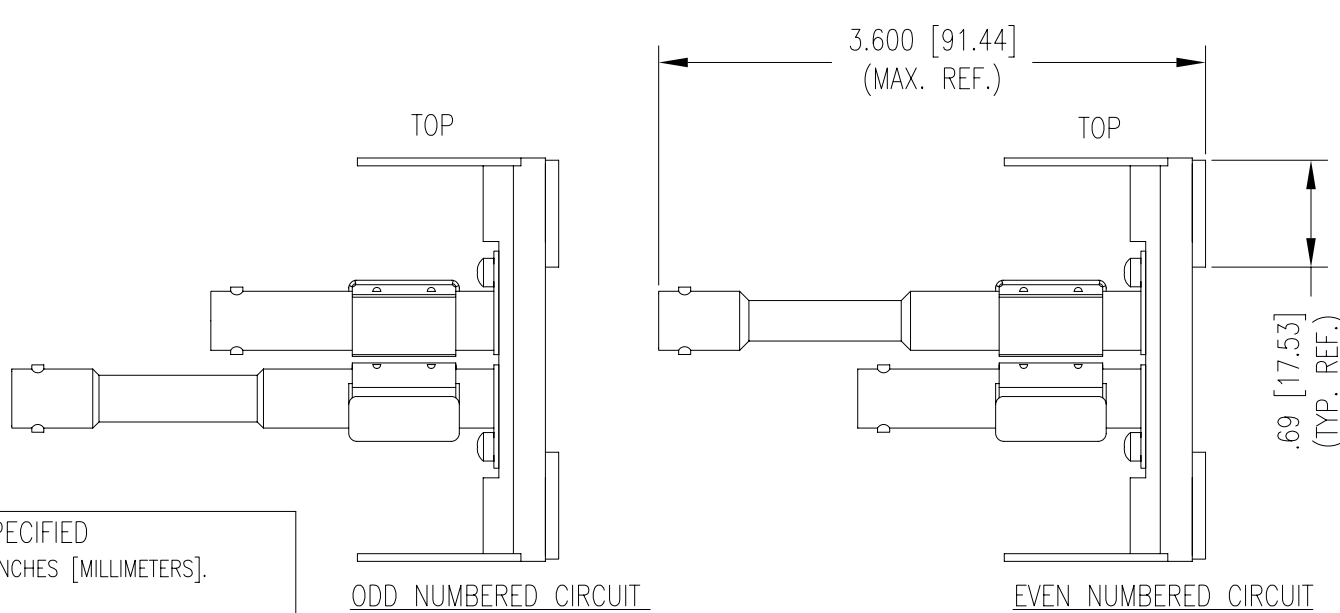


NOTES: UNLESS OTHERWISE SPECIFIED
VIDEO JACK, 32 EACH MIDSIZE SINGLE S.T. P/N 7772-3 (SHORT) & 7772-4 (LONG)

- MATERIALS:
 - INSULATORS-TOPAS, ASTM-D-4894
 - SPRING CONTACTS
 - BNC CONTACT F } CUBE., ASTM-B-196
 - VIDEO CONTACT F }
 - HARDWARE-ZINC PLATED MACHINE SCREW
 - ALL OTHER METAL PARTS-BRASS, ASTM-B16
- FINISHES:
 - CENTER CONTACT & SPRING BEAM- 50 MICRO INCHES GOLD PLATE PER ASTM-B488
OVER 50 MICRO INCHES MIN. NICKEL PLATE.
PER SAE-AMS-QQ-N-290.
 - SPRING CONTACT- 50 MICRO INCHES GOLD PLATE PER ASTM-B488,
OVER 50 MICRO INCHES MIN. NICKEL PLATE.
 - HARDWARE-PASSIVATE PER SAE-AMS-QQ-P-35
 - ALL OTHER METAL PARTS-KINGS TARNISH RESISTANT FINISH (TR-5)
- LIFE CYCLES: 50,000 CYCLES MINIMUM.
- ELECTRICAL CHARACTERISTICS:
 - NOMINAL IMPEDANCE: 75 OHMS
 - FREQUENCY RANGE: DC - 3.0 GHz
- 3 IDENTIFICATION LINES POSITIONED BETWEEN THE 8TH & 9TH, 16TH & 17TH, AND 24TH & 25TH ROWS
- COMPLIANT WITH 424M SPECIFICATION
RETURN LOSS (SELF TERMINATED OR NORMAL THRU MODE)
 - UP TO 1.485GHz, <-15dB
 - UP TO 2.97GHz, <-10dB



UNLESS OTHERWISE SPECIFIED
1. ALL DIMENSIONS IN INCHES [MILLIMETERS].
2. TOLERANCES:
 .XXX ±.004 .XX ±.010
 [.XXX ±.10] [.XX ±.25]
 FRACTIONS: X/Y ±.010 [.25] ANGLES: ± 1'
 ★ CRITICAL DIMENSIONS

- FRAME & MODULE ASS'Y:
- MATERIALS: LABEL COVER: LEXAN, COLOR: CLEAR
SCREWS: BRASS, ASTM-B16
ALL OTHER PARTS: COLD ROLLED STEEL
 - FINISHES: SCREWS: BLACK OXIDE, MIL-F-495
PANEL: PAINTED GRAY WITH BLACK MARKING PER TBD
ALL OTHER METAL PARTS: NICKEL PLATE PER SAE-AMS-QQ-N-290

7743-000-00701N

ISSUE	CHANGES
A	RELEASED PER ER10334 DRK 08/21/08
B	ER 13157 PSM 01/09/09
C	ER 13305 PSM 01/16/09
D	ER 13305 PSM 01/20/09
E	ER 13305 PSM 01/27/09
F	ER 13305 PSM 02/02/09

CUSTOMER SALES DRAWING

SCALE 3/4:1
APPROX SURFACE AREA
USED ON
REF:
JACKFIELD, SINGLE VIDEO, ST

DRAWN DCT	DATE 4/10/8
DESIGN	DATE
APPR.	DATE
KINGS by WINCHESTER ELECTRONICS	Winchester Electronics 62 Barnes Industrial Road North Wallingford, CT 06492

SD7743-000-00701N