



**P/N:FB2022A DATA SHEET**

**Feature**



- Designed for IEEE802.3 10 Base-T.
- Compact standard DIL Packages.
- Performs Impedence Match + Filtering + Isolation.
- Low Insertion Loss.
- Designed for use with most 10 BASE T Chips.
- Operating temperature range :0°C to +70°C.
- Storage temperature range: -25°C to +125°C.

**Electrical Specifications @ 25°C**

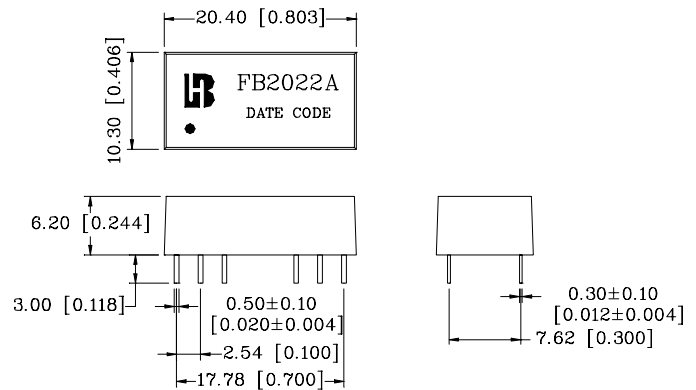
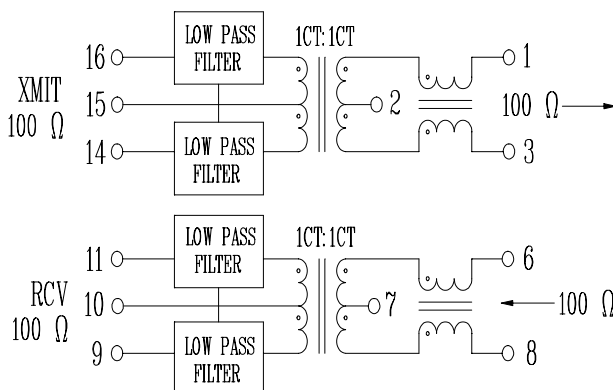
Part Number	Turns Ratio		CUT-OFF Frequency	Group Delay Change (nS Max)	Return Loss (dB Min)TX/RX	HI-POT (Vrms)
	TX	RX		5-10MHz	1-10MHz	
FB2022A	1CT:1CT	1CT:1CT	17MHz±1.5MHz	4.0	-15	2000

**Continue**

Part Number	Insertion Loss (dB Max)TX/RX	Attenuation (dB Min)TX/RX				Cross talk (dB Min)
	1-10MHz	20MHz	25MHz	30MHz	40MHz	1-10MHz
FB2022A	-1.0	-7/-6	-19/-14	-32/-20	-35/-31	-30

**Schematic**

**Mechanical**



Units: mm[Inches] Tolerances: xx.x0±0.25[0.010]  
0.xx±0.05[0.002]