



P/N:FB2009E DATA SHEET

Feature



- Available in enhanced or standard design versions.
- Low profile surface mount package.
- Designed for AMD, DEC, LSI, Motorola, and National transceivers .
- Operating temperature range: 0°C to +70°C .
- Storage temperature range: -25°C to +125°C .

Electrical Specifications @ 25°C

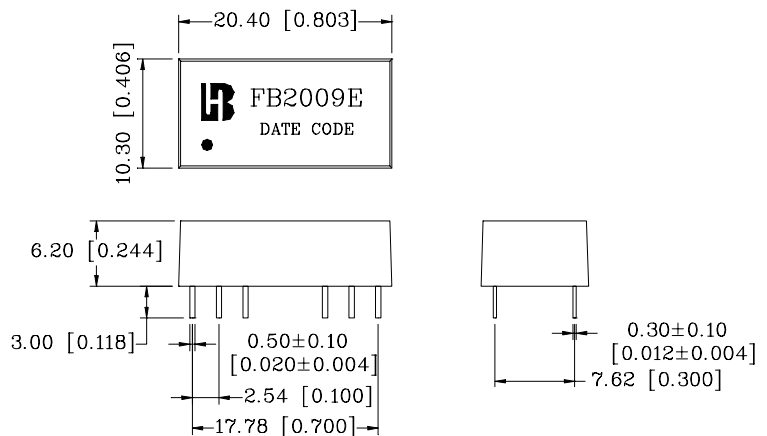
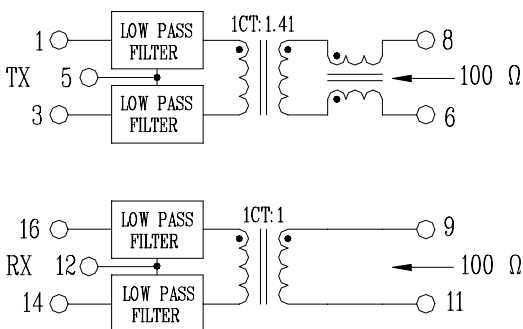
Part Number	Turns Ratio (±5%)		CUT-OFF Frequency TX/RX	Cross talk Attenuation (dB Min)		HI-POT (Vrms)
	TX	RX		1-10MHz		
FB2009E	1CT:1.41	1CT:1	17MHz±1.5MHz	-30		1500

Continue

Part Number	Insertion Loss (dB Max)	Return Loss (dB Min)	Attenuation (dB Min)				CMR (dB Min)
	1-10MHz	1-10MHz	20MHz	25MHz	30MHz	40MHz	30-100MHz
FB2009E	-1.0	-14	-7/-5	-18/-11	-28/-16	-33/-26	-30

Schematic

Mechanical



Units: mm[Inches] Tolerances: xx.x0±0.25[0.010]
0.xx±0.05[0.002]