

**Type: FB-7G**

**Product Description**

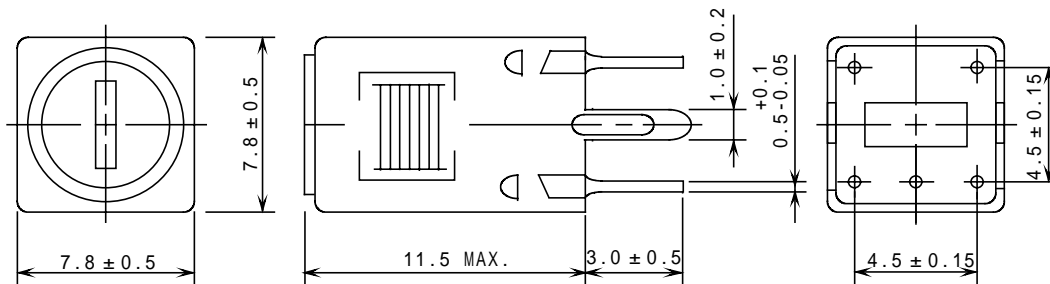
- 8.2 × 8.2mm Max.(L × W), 11.5mm Max. Height.
- Operating frequency:250kHz Max.
- In addition to the reference versions of parameters shown here, custom designs are available to meet your exact requirements.



**Feature**

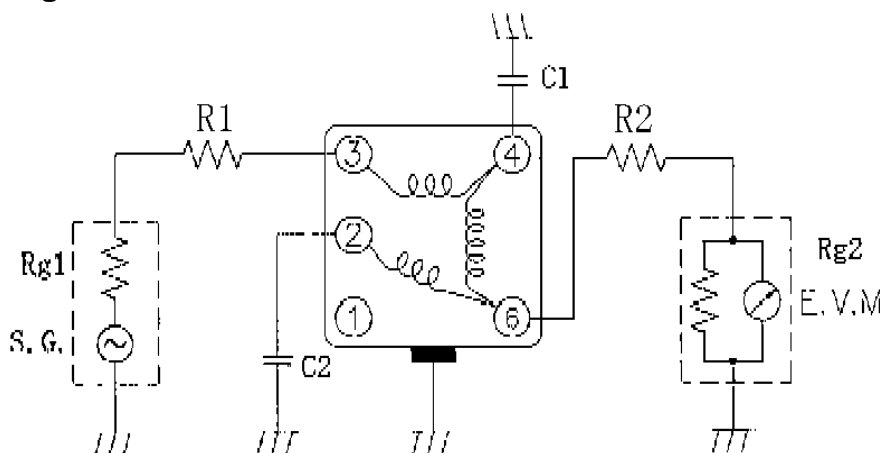
- Variable shielded type.
- Two capacitors can be internally mounted in one section.
- Ideally used as Audio Filters(LPF, BPF, Delay Line)
- RoHS Compliance

**Dimensions (mm)**



- \* Dimension does not include solder used on coil.
- \* Pin pitch should be measured at the root of terminal.

**Testing Circuit**



- Rg1=Rg2=50
- R in=Rg1+R1=2.7kΩ
- R out=Rg2+R2 =4.7kΩ
- C1=1800pF ± 5%,
- C2=3900pF ± 5%

Type: FB-7G

**Specification** (part number: 5327-T016)

Item		Specification
Input impedance	(R in)	2.7kΩ
Output impedance	(Rout)	4.7kΩ
Attenuation	15kHz	1.7dB Max.
	19kHz	30dB Min.
	23kHz	17dB Min.
	38kHz	32dB Min.
Insertion loss	1kHz	1.0dB Max.
Ripple	1kHz ~ 13kHz	0 ± 1.6dB within

**Frequency Response** (Attenuation 0dB at 1KHz)

