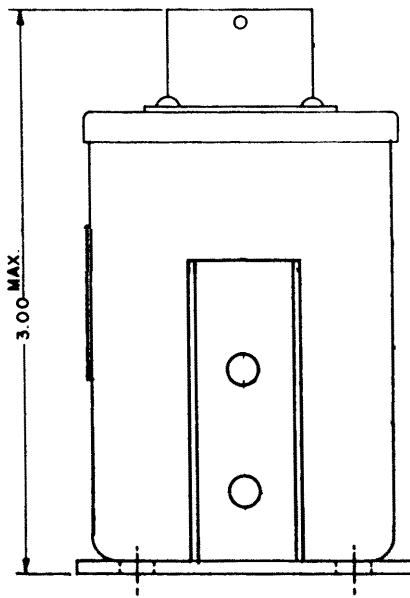
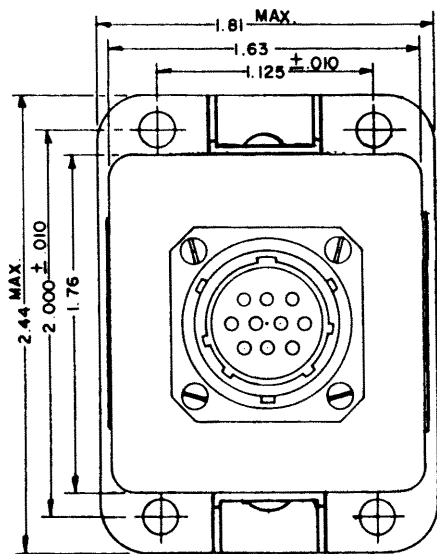


E-341 SPDT, 2 Amps, 208 VAC

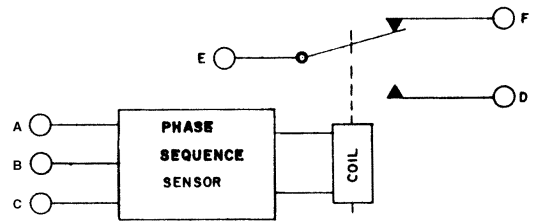
Features:

- SPDT Main Contacts
- Phase Sequence Relay
- 208 VAC, 400 Hz, 3Ø Operation
- 2 Amps
- High Reliability
- Meets many requirements of MIL-R-6106
- Light Weight Construction



Dimensions for this product are expressed in inches. Multiply values by 25.4 for millimeters.

CONTACTOR CONFIGURATION



Notes:

PRODUCT SPECIFICATIONS

Construction	Solder Sealed and Potted
Input Voltage	208 Volts, L to L, 400 Hz
Environmental:	
Temperature	-55°C to +85°C
Shock	25g 1/2 SINE, 6 - 9 Millisecond Duration
Vibration	.060" DA 5 to 55 Hz, 10G's 1/8, 55 to 1500 Hz
Operating Characteristics:	
Pick-Up	Phase sequence L1-L2-L3 balanced phase voltages. 80-95 Volts L to N. Not possible at any voltage with phase sequence L1-L3-L2.
Drop-Out	One or more phase open will not pick-up below 250 volts L to N. With balanced phase voltages above 50 volts L to N. 2 phases remaining at 115 volts, one phase voltage reduced. Above 5 volts L to N on the low phase.
Contact Rating	2 Amps, 30 VDC Resistive 1 Amp, Resistive at 115V RMS
Weight	10 Oz.

For factory-direct application assistance, contact the HARTMAN product team at (419) 521-9500, Fax (419) 526-2749.

© 2004 by Tyco Electronics Corporation. All Rights Reserved. HARTMAN and TYCO are trademarks.