

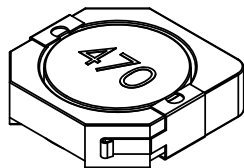
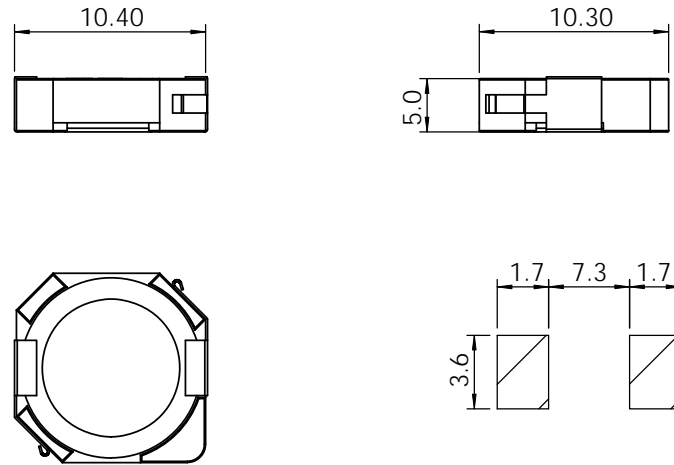
Part	L (μ H)	Tol %	R _{DC} MAX (m Ω)	I _{bc} I _N (A)
CDRH105R-100	10 @ 100kHz	N	25.8	3.5
CDRH105R-120	12 @ 100kHz	N	32	3.4
CDRH105R-150	15 @ 100kHz	N	40	2.8
CDRH105R-180	18 @ 100kHz	N	46	2.6
CDRH105R-220	22 @ 100kHz	N	58.5	2.4
CDRH105R-270	27 @ 100kHz	N	65.4	2.2
CDRH105R-330	33 @ 100kHz	N	81.4	1.9
CDRH105R-390	39 @ 100kHz	N	103.1	1.7
CDRH105R-470	47 @ 100kHz	N	122.1	1.6
CDRH105R-560	56 @ 100kHz	N	144.8	1.4
CDRH105R-680	68 @ 100kHz	N	193	1.4
CDRH105R-820	82 @ 100kHz	N	219.4	1.2
CDRH105R-101	100 @ 100kHz	N	247	1.1
CDRH105R-121	120 @ 100kHz	N	298.4	1
CDRH105R-151	150 @ 100kHz	N	355.1	0.9
CDRH105R-181	180 @ 100kHz	N	393.4	0.8
CDRH105R-221	220 @ 100kHz	N	483.8	0.8
CDRH105R-271	270 @ 100kHz	N	632.5	0.7
CDRH105R-331	330 @ 100kHz	N	780	0.6
CDRH105R-391	390 @ 100kHz	N	957.5	0.6
CDRH105R-471	470 @ 100kHz	N	1220	0.5
CDRH105R-561	560 @ 100kHz	N	1352	0.5
CDRH105R-681	680 @ 100kHz	N	1519	0.4
CDRH105R-821	820 @ 100kHz	N	1694	0.4
CDRH105R-102	1000 @ 100kHz	N	1946	0.4

SPECIFICATION

- TYPE = CDRH105R
CONSTRUCTION = SURFACE MOUNT POWER INDUCTOR
TERMINAL COATING = NICKEL / SILVER
OPERATING TEMP. = -40 TO +85 °C
STORAGE TEMP = -55 TO +125 °C
INSULATION RESISTANCE = 100M Ω . 100V TERMINAL-CORE
DIELECTRIC STRENGTH = 250Vac TERMINAL-CORE
HUMIDITY EFFECTS = L \pm 5 @ 95%RH, 40 °C, 1HR
Q \pm 5 @ 95%RH, 40 °C, 1HR
PACKAGING = 750PCS/REEL
MARKING = 3 CHARACTERS, VALUE

NOTE

TOLERANCES L=15%; M=20%; N=30%



PROPRIETARY AND CONFIDENTIAL THE INFORMATION CONTAINED IN THIS DRAWING IS THE SOLE PROPERTY OF AIT COMPONENTS LTD. ANY REPRODUCTION IN PART OR AS A WHOLE WITHOUT THE WRITTEN PERMISSION OF AIT COMPONENTS LTD IS STRICTLY PROHIBITED.	NAME	DATE	AIT COMPONENTS LTD www.aitcomponents.com
	DRAWN		
	CHECKED		
	ENG APPR.		
	UNLESS OTHERWISE SPECIFIED DIMENSIONS ARE IN MILLIMETERS TOLERANCES: ONE PLACE DECIMAL +/-0.3 TWO PLACE DECIMAL +/-0.13 ANGLE +/-1 DEGREE		TITLE:
MATERIAL	--		CDRH105R SMD POWER INDUCTOR
FINISH	--	DO NOT SCALE DRAWING	SIZE A DWG. NO. CDRH105R SMD POWER INDUCTOR REV. 00
SCALE:1:1			SHEET 1 OF 1