

**PLEASE CHECK WWW.MOLEX.COM FOR LATEST PART INFORMATION**

**Part Number:** [0192030045](#)  
**Status:** **Active**  
**Description:** Krimptite™ Temp-Term Ring Tongue Terminal for 14 to 16 AWG Wire, Stud Size 1/4, Mylar Tape Carrier

**Documents:**

[Drawing \(PDF\)](#) [RoHS Certificate of Compliance \(PDF\)](#)

**Agency Certification**

UL E32244

**General**

Product Family Ring and Spade Terminals  
 Series [19203](#)  
 Crimp Quality Equipment Yes  
 Mil-Spec N/A  
 Product Name Krimptite™, Temp-Terms  
 Type Ring

**Physical**

Barrel Type Closed  
 Insulation None  
 Material - Plating Mating Tin  
 Packaging Type Adhesive Tape on Reel  
 Stud Size 1/4" (M6)  
 Wire Size AWG 14, 16  
 Wire Size mm<sup>2</sup> 1.00 - 2.50

**Material Info**

Old Part Number B-S-125-14T

**Reference - Drawing Numbers**

Sales Drawing SD-19203-028



*Series  
image - Reference only*

**EU RoHS**

**ELV and RoHS  
Compliant**

**REACH SVHC  
Contains SVHC: No  
Halogen-Free  
Status**

**Not Reviewed**

**China RoHS**



**Need more information on product  
environmental compliance?**

Email [productcompliance@molex.com](mailto:productcompliance@molex.com)  
 For a multiple part number RoHS Certificate of Compliance, [click here](#)

Please visit the [Contact Us](#) section for any non-product compliance questions.

**Search Parts in this Series**

[19203Series](#)

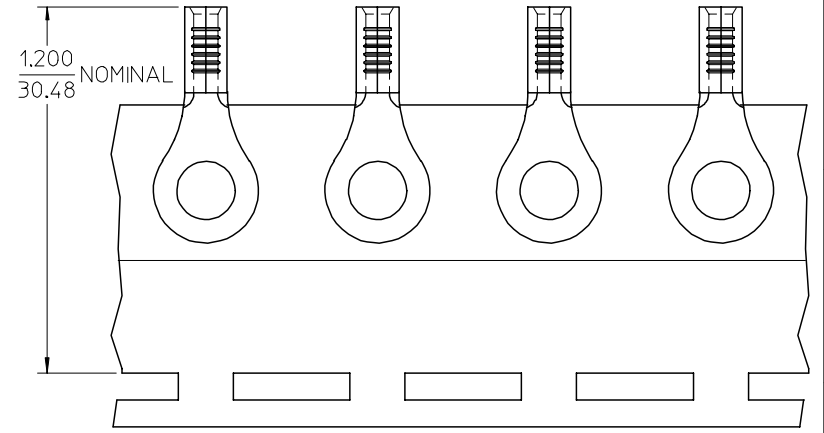
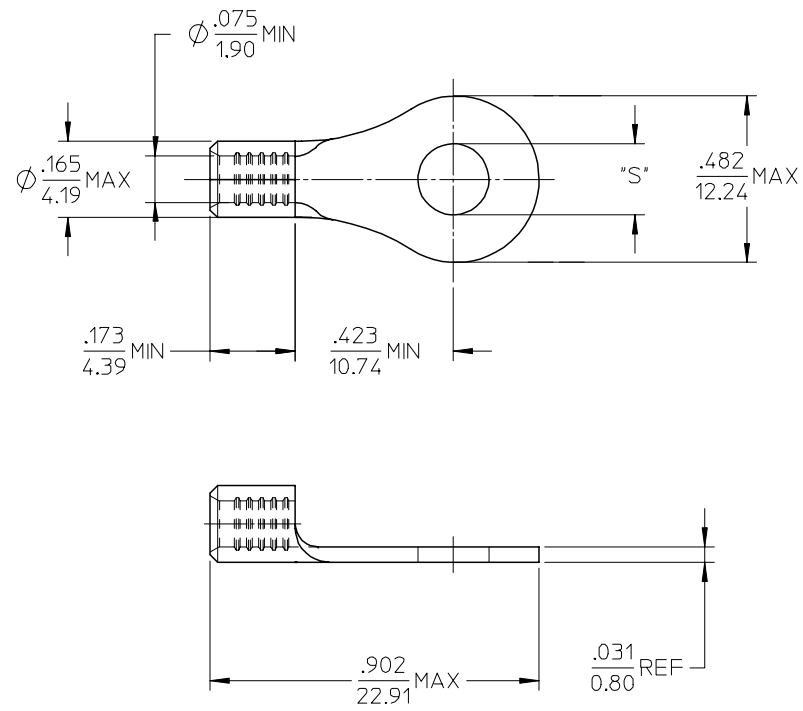
**Application Tooling | [FAQ](#)**

*Tooling specifications and manuals are found by selecting the products below. Crimp Height Specifications are then contained in the Application Tooling Specification document.*

**Global**

Description	Product #
ATP Perishable Tool Kit used in ATP presses that process product on tape	<a href="#">0190270055</a>
Mini-Mac™ Applicator	<a href="#">0638858100</a>

MATERIAL NO.	ENG. NO.	STUD SIZE	"S" MAX	DESCRIPTION
192030490	B-S-125-14	1/4	.259/6.58	LOOSE
192030045	B-S-125-14T	1/4	.259/6.58	TAPE



PARTS ON TAPE

NOTE(S):

- MATERIAL: STEEL
- WIRE SIZE: 16-14 AWG (1.5-2.5 MM<sup>2</sup>)
- FINISH: NICKEL PLATING
- PART IS ROHS COMPLIANT.
- AMBIENT OPERATING TEMPERATURE UP TO 900 °F (483 °C).

ADDED OPERATING TEMP	DESCRIPTION
EC NO: ETC2007-0297	
DRW: NEHLE 2007/03/13	
CHKD: JMACNEIL 2007/03/13	
APPR: JMACNEIL 2007/03/14	

QUALITY SYMBOLS
▽=0
▽=0

GENERAL TOLERANCES (UNLESS SPECIFIED)	mm	INCH
	4 PLACES ± ---	± ---
	3 PLACES ± ---	± ---
	2 PLACES ± ---	± ---
	1 PLACE ± ---	± ---
	ANGULAR ± ---°	
DRAFT WHERE APPLICABLE MUST REMAIN WITHIN DIMENSIONS		

DIMENSION STYLE		SCALE	DESIGN UNITS	THIRD ANGLE PROJECTION
IN/MM		4:1	INCH	
DRAWN BY	DATE	TITLE		
EHILE	2006/09/20	RING TONGUE TERMINAL, 16-14 AWG, KRIMP TITE, 900 DEG F (483 DEG C)		
CHECKED BY	DATE	MOLEX INCORPORATED		
JMACNEIL	2006/09/20			
APPROVED BY	DATE	MATERIAL NO.		
JMACNEIL	2006/09/20	SD-19203-028		
SIZE		SHEET NO.		
B		1 OF 1		

MATERIAL NO.		DOCUMENT NO.	SHEET NO.
SEE CHART		SD-19203-028	1 OF 1
THIS DRAWING CONTAINS INFORMATION THAT IS PROPRIETARY TO MOLEX INCORPORATED AND SHOULD NOT BE USED WITHOUT WRITTEN PERMISSION			