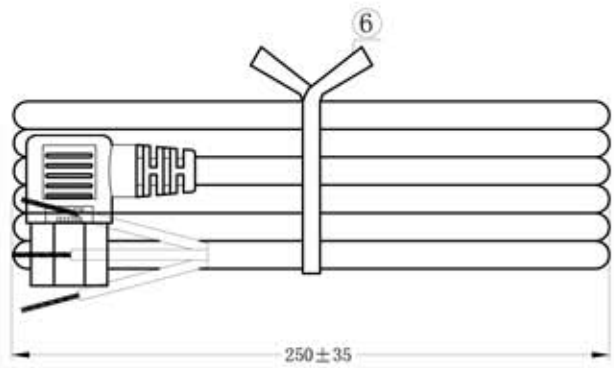
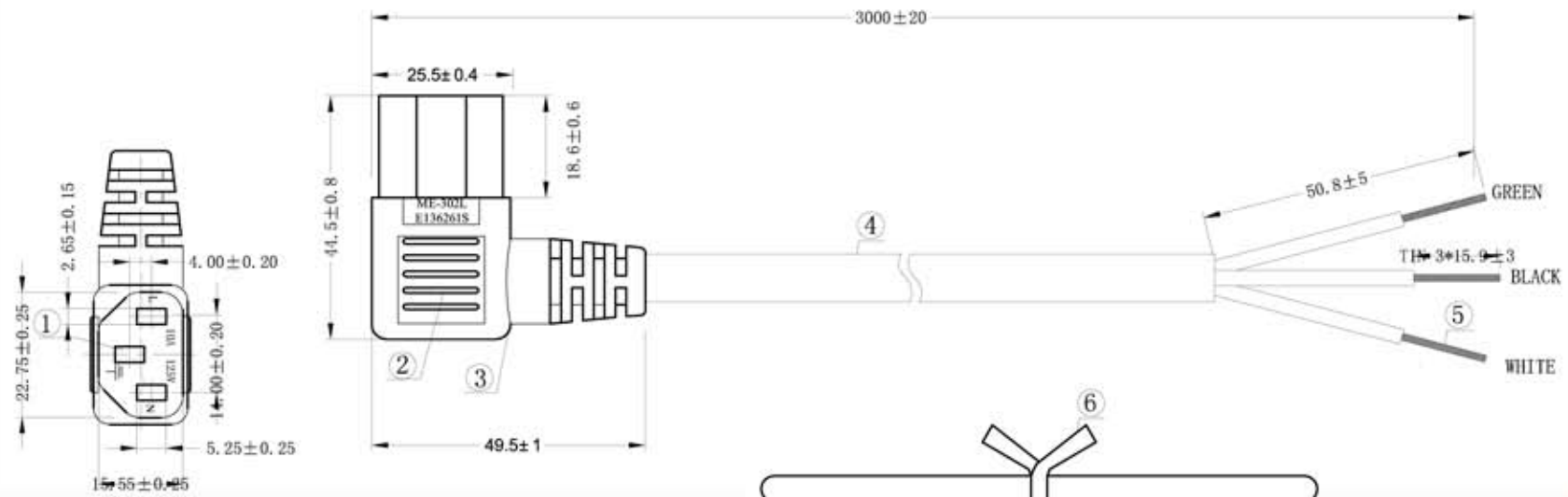
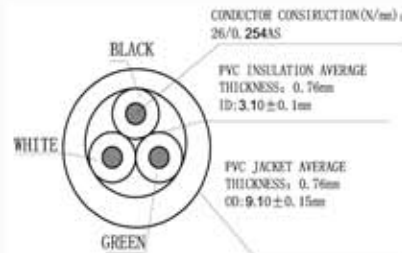


A
B
C
D
E
F
G
H

A
B
C
D
E
F
G
H



E243929 (UL) SJT 3×16AWG(1.31mm²) VW-1 60°C 300V CSA 228191 SJT 3×16 AWG(1.31mm²) FT2 60°C 300V -LF-



NOTES:

- 1) JACKET COLOR: BLACK
- 2). E-GREEN; L-BLACK ; N-WHITE

TESTING:

- 1) 100% OPEN & SHORT TESTING
- 2) INSULATION RESISTANCE: 100M ohm(min)
- 3) VOLTAGE: DC500V/1min
- 4) ROHS COMPLIANT

NO.	SPECIFICATION	COLOUR	MATERIAL	AMOUNT
①	Play home terminal 98740	Silver	Cu	3P
②	Model aircraft 8745AND	WHITE	PBT	1PCS
③	Mother Play ME-302L	BLACK	PVC Cu	1PCS
④	Wire SJT 16AWG/3C 60°	BLACK	PVC Cu	1PCS
⑤	Tin	Sivler	Article tin	3PCS
⑥	Ties	BLACK		1PCS

Scale	1:1						Name	Item No.
TOLERANCE							Miller	A-PC1504-030027-1
X.X	±0.40				Drawn	3/27/12	Warner	
X.XX	±0.25				Approved	3/27/12		Title 320C13-RA to Open, 3M, SJT#16*3C 60C
X.XXX	±0.15							Drawing No.
Angle	±3°							rev00
								Replace
								Sheet
		Modification	Date	Name				

