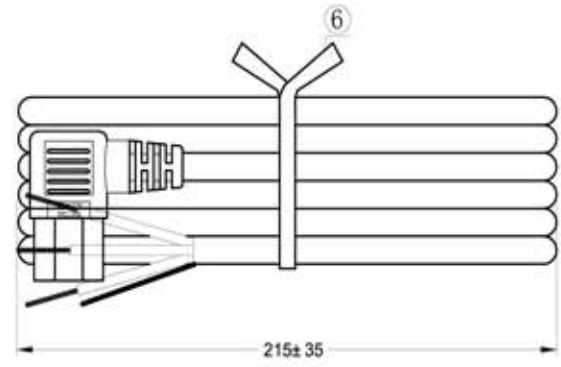
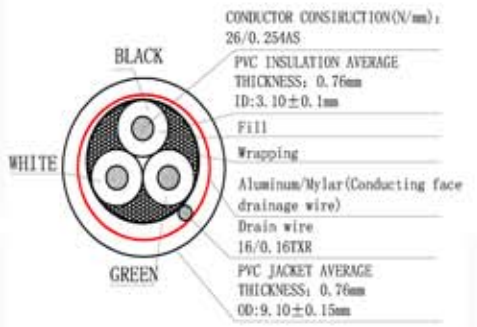
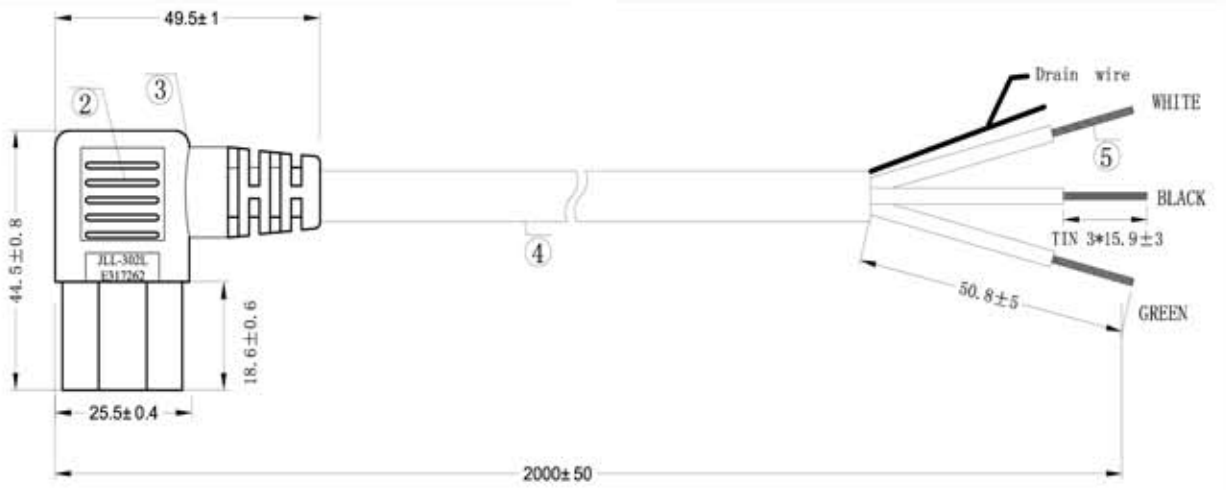
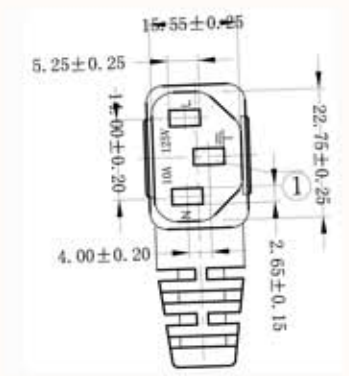


A
B
C
D
E
F
G
H

A
B
C
D
E
F
G
H



Notes :
 1) Jacket color: Black
 2) E-Green; L-Black; N-White

Testing :
 1) 100% Open & Short testing
 2) Insulation Resistance: 100M ohm(min)
 3) Voltage: DC500V/1min
 4) ROHS Compliant

NO.	SPECIFICATION	COLOUR	MATERIAL	AMOUNT
①	Play home terminal	Silver	Cu	3P
②	Model aircraft	WHITE	PBT	1PCS
③	Mother Play ME-302L	BLACK	PVC Cu	1PCS
④	Wire SJT 16AWG/3C 60°C	BLACK	PVC Cu	1PCS
⑤	Tin	Silver	Article tin	3PCS
⑥	Ties	BLACK		1PCS



Scale	1:1					Name	Item No.	
TOLERANCE					Drawn	3/16/12	A-PC1503-020030-1	
X.X	±0.40				Approved	3/16/12		Title 320C13-LA to Open, 2M, SJT#16*3C 60C SHIELDED
X.XX	±0.25							
X.XXX	±0.15							
Angle	±3°						Drawing No.	
							rev00	
							Replace	
							Sheet	

